



MOTOR DATA SHEET

MOTOR PART CODE:

0.0941TPCB35

FRAME SIZE:

562-4

50Hz

Output (kW)	0.09
Rotation Speed (rpm)	1390
Voltage	230
Full Load Current (A)	0.78
Full Load Torque (Nm)	0.62

Factory Reference	MYT562-4
Tst/Tn (times)	0.7
Tmax/Tn	1.65
Noise (dB)	63
Moment of inertia	0.00024003
Type of feet	Removable feet
Rotation Direction	F / R
Cooling	IC411
Standard	IEC60034
IP Rating	IP55
Allowed Radial Load (N)	413
Bearing (DE)	6201 2RZ C3

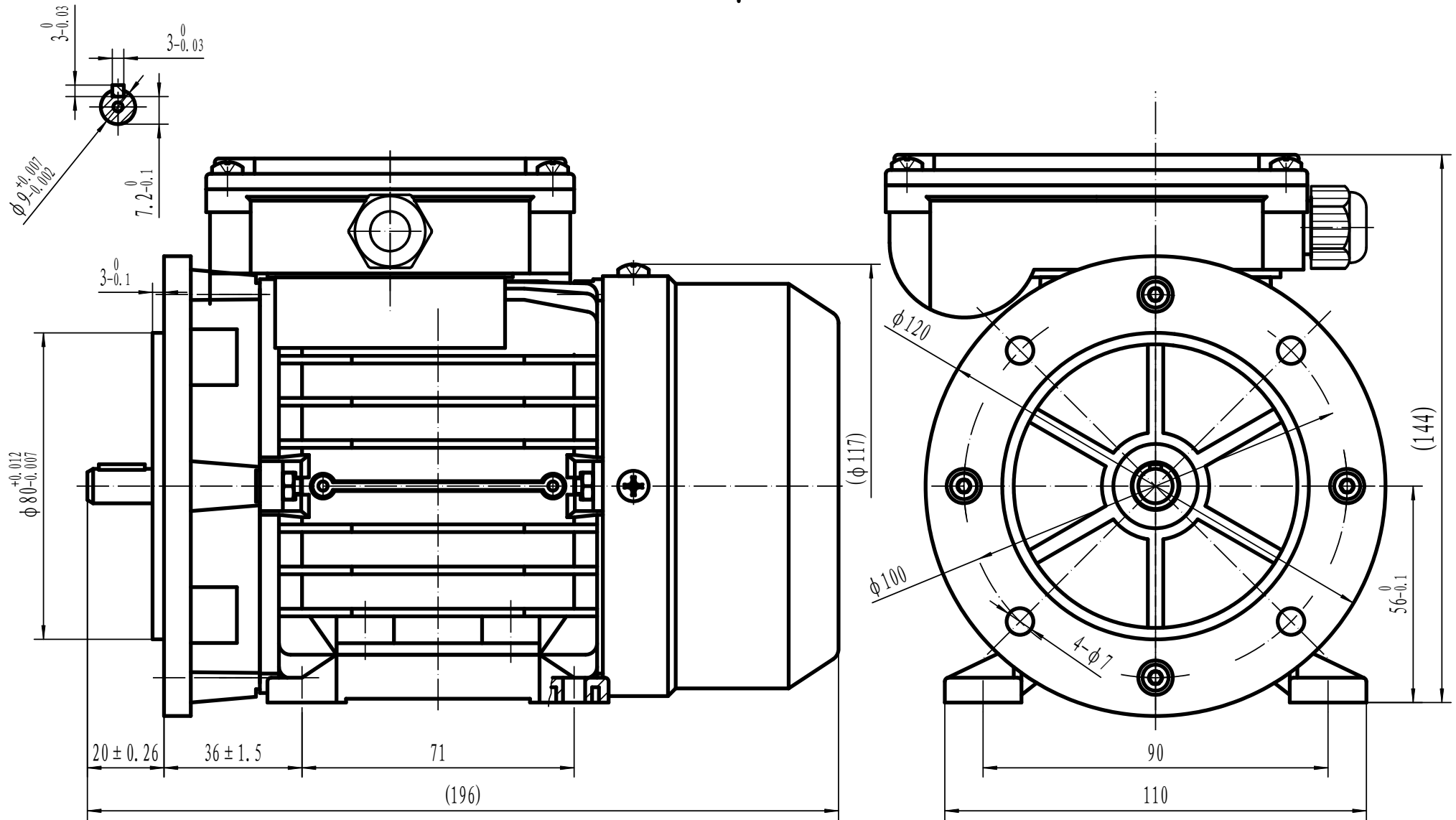
Power Factor (cos)	0.99
Tmin/Tn	0.75
Ist/In (Times)	2.5
Net Weight (Kg)	3.6
Housing material	Aluminum
Insulation Class	F
Duty Cycle	S1
Paint	RAL 7024
Ambient Temperature	-20°C to +40°
Starting Method	DOL
Allowed Axial Load (N)	355
Bearing (NDE)	6201 2RZ C3


Motors designed and manufactured in accordance with:

IEC 60034
IEC 60038
IEC 60072
2014/30/EU (EMC)
2014/35/EU (LVD)
2011/65/EU (RoHS 2)

www.tecmotors.co.uk

TEC Electric Motors Ltd. reserves the right to amend or change motor designs or data sheet information



Drawn By	Date	TPC56B35
TECHTOP	27/11/2017	
Approved by	Date	 www.tecmotors.co.uk
L. Overton	27/11/2017	
Issue No =	Date	
001/A	27/11/2017	