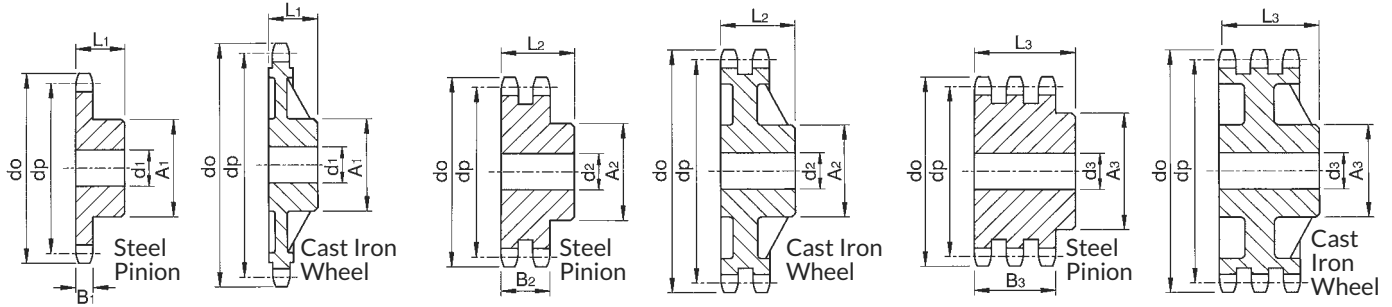


Standard Sprockets for 3/4" Pitch British Standard Chains Type 12B

Conforming to ISO Std. 606



Simplex Sprockets

Chain No. 12B-1

Pitch	19.05mm
Roller Dia.	12.07mm
Inside Width	11.68mm
Overall Width	24.5mm
Tooth Width B ₁	11.1mm

Duplex Sprockets

Chain No. 12B-2

Pitch	19.05mm
Roller Dia.	12.07mm
Inside Width	11.68mm
Overall Width	44.0mm
Tooth Width B ₂	30.3mm

Triplex Sprockets

Chain No. 12B-3

Pitch	19.05mm
Roller Dia.	12.07mm
Inside Width	11.68mm
Overall Width	63.4mm
Tooth Width B ₃	49.8mm

No. Teeth Z	Pitch Circle Ø dp	Outside Ø do	Simplex Sprocket						Duplex Sprocket						Triplex Sprocket					
			Cat. No.	Min. † Bore d ₁	Max. Bore d ₁	L.T.B. L ₁	Hub Ø A ₁	App. Weight kg	Cat. No.	Min. † Bore d ₂	Max. Bore d ₂	L.T.B. L ₂	Hub Ø A ₂	App. Weight kg	Cat. No.	Min. † Bore d ₃	Max. Bore d ₃	L.T.B. L ₃	Hub Ø A ₃	App. Weight kg
Steel Pinions																				
8	49.78	57.6	12B1-08	12	20	30	31	0.22	12B2-08	12	20	45	31	0.34	12B3-08	16	20	65	31	0.45
9	55.70	62.0	12B1-09	12	25	30	37	0.29	12B2-09	12	25	45	37	0.44	12B3-09	16	25	65	37	0.59
10	61.65	69.0	12B1-10	12	28	30	42	0.39	12B2-10	12	28	45	42	0.60	12B3-10	16	28	65	42	0.83
11	67.62	75.0	12B1-11	14	31	35	46	0.52	12B2-11	16	31	50	47	0.79	12B3-11	20	31	70	47	1.06
12	73.60	81.5	12B1-12	14	35	35	52	0.67	12B2-12	16	35	50	53	1.01	12B3-12	20	35	70	53	1.37
13	79.60	87.5	12B1-13	14	38	35	58	0.82	12B2-13	16	39	50	59	1.24	12B3-13	20	39	70	59	1.69
14	85.61	93.6	12B1-14	14	43	35	64	0.99	12B2-14	16	43	50	65	1.49	12B3-14	20	43	70	65	2.05
15	91.63	99.8	12B1-15	14	46	35	70	1.18	12B2-15	16	47	50	71	1.77	12B3-15	20	47	70	71	2.44
16	97.65	105.5	12B1-16	16	50	35	75	1.34	12B2-16	20	51	50	77	2.02	12B3-16	20	51	70	77	2.85
17	103.67	111.5	12B1-17	16	54	35	80	1.54	12B2-17	20	56	50	83	2.34	12B3-17	20	56	70	83	3.30
18	109.70	118.0	12B1-18	16	54	35	80	1.63	12B2-18	20	59	50	89	2.69	12B3-18	20	59	70	89	3.80
19	115.74	124.2	12B1-19	16	54	35	80	1.72	12B2-19	20	63	50	95	3.07	12B3-19	20	63	70	95	4.33
20	121.78	129.7	12B1-20	16	54	35	80	1.80	12B2-20	20	67	50	100	3.41	12B3-20	20	67	70	100	4.82
21	127.82	136.0	12B1-21	20	60	40	90	2.36	12B2-21	20	67	50	100	3.68	12B3-21	20	67	70	100	5.26
22	133.86	141.8	12B1-22	20	60	40	90	2.46	12B2-22	20	67	50	100	3.95	12B3-22	20	67	70	100	5.70
23	139.90	149.0	12B1-23	20	60	40	90	2.59	12B2-23	20	74	50	110	4.54	12B3-23	20	74	70	110	6.49
24	145.95	153.9	12B1-24	20	60	40	90	2.68	12B2-24	20	74	50	110	4.79	12B3-24	20	74	70	110	6.92
25	151.99	160.0	12B1-25	20	60	40	90	2.80	12B2-25	20	80	50	120	5.39	12B3-25	20	80	70	120	7.71
26	158.04	165.9	12B1-26	20	63	40	95	3.08	12B2-26	20	80	50	120	5.71	12B3-26	20	80	70	120	8.25
27	164.09	172.3	12B1-27	20	63	40	95	3.22	12B2-27	20	80	50	120	6.07	12B3-27	20	80	70	120	8.83
28	170.14	178.0	12B1-28	20	63	40	95	3.34	12B2-28	20	80	50	120	6.42	12B3-28	20	80	70	120	9.40
29	176.19	184.1	12B1-29	20	63	40	95	3.48	12B2-29	20	80	50	120	6.79	12B3-29	20	80	70	120	10.01
30	182.25	190.5	12B1-30	20	63	40	95	3.63	12B2-30	20	80	50	120	7.20	12B3-30	20	80	70	120	10.67
31	188.30	196.3	12B1-31	20	67	40	100	3.95	12B2-31	20	87	50	130	7.88	12B3-31	25	87	70	130	11.51
32	194.35	203.3	12B1-32	20	67	40	100	4.13	12B2-32	20	87	50	130	8.35	12B3-32	25	87	70	130	12.27
33	200.41	209.3	12B1-33	20	67	40	100	4.29	12B2-33	20	87	50	130	8.78	12B3-33	25	87	70	130	12.96
34	206.46	214.6	12B1-34	20	67	40	100	4.43	12B2-34	20	87	50	130	9.18	12B3-34	25	87	70	130	13.62
35	212.52	221.0	12B1-35	20	67	40	100	4.61	12B2-35	20	87	50	130	9.66	12B3-35	25	87	70	130	14.40
36	218.57	226.8	12B1-36	20	67	40	100	4.77	12B2-36	25	87	50	130	10.05	12B3-36	25	87	70	130	15.15
37	224.63	232.9	12B1-37	20	67	40	100	4.95	12B2-37	25	87	50	130	10.54	12B3-37	25	87	70	130	15.95
38	230.69	239.0	12B1-38	20	67	40	100	5.14	12B2-38	25	87	50	130	11.04	12B3-38	25	87	70	130	16.77
39	236.74	245.1	12B1-39	20	67	40	100	5.33	12B2-39	25	87	50	130	11.56	12B3-39	25	87	70	130	17.61
40	242.80	251.3	12B1-40	20	67	40	100	5.53	12B2-40	25	87	50	130	12.09	12B3-40	25	87	70	130	18.49
42	254.92	264.5	12B1-42	25	79	61	118*	8.33	12B2-42	25	91	62	136*	14.78						
45	273.09	282.5	12B1-45	25	79	61	118*	8.97	12B2-45	25	91	62	136*	16.53	12B3-45	25	94	72	140*	23.81
46	279.15	287.9	12B1-46	25	79	61	118*	9.17	12B2-46	25	91	62	136*	17.09						
48	291.27	300.1	12B1-48	25	79	61	118*	9.64	12B2-48	25	91	62	136*	18.36						
50	303.39	312.3	12B1-50	25	79	61	118*	10.13	12B2-50	25	91	62	136*	19.69	12B3-50	25	94	72	140*	28.99
55	333.69	342.7	12B1-55	25	79	61	118*	11.43	12B2-55	25	91	62	136*	23.26						
57	345.81	355.4	12B1-57	25	79	61	118*	12.01	12B2-57	25	91	62	136*	24.83	12B3-57	30	94	75	140*	37.61
60	363.99	373.0	12B1-60	25	79	61	118*	12.85	12B2-60	25	91	62	136*	27.16	12B3-60	30	94	75	140*	41.42
76	460.98	469.9	12B1-76	30	79	61	118*	18.15	12B2-76	30	97	63	145*	42.49	12B3-76	30	100	75	150*	66.12
95	576.17	585.1	12B1-95	30	89	62	133*	27.50	12B2-95	30	97	63	145*	64.75	12B3-95	30	100	75	150*	103
Cast Iron Wheels																				
38	230.69	239.0	12B1-38C	23	60	56	100	5.1	12B2-38C	29	66	63	110	7.5	12B3-38C	30	84	70	140	11.5
45	273.09	282.5	12B1-45C	23	60	56	100	5.5	12B2-45C	29	66	63	110	9.9	12B3-45C	30	84	70	140	14.5
57	345.81	355.4	12B1-57C	29	60	56	100	6.7	12B2-57C	29	72	63	120	12.0	12B3-57C	39	84	70	140	16.5
76	460.98	469.9	12B1-76C	29	60	56	100	10.3	12B2-76C	29	80	63	135	17.0	12B3-76C	39	96	75	160	24.0
95	576.17	585.1	12B1-95C	29	60	65	100	14.2	12B2-95C	29	80	70	135	21.0	12B3-95C	39	102	82	170	32.0
114	691.36	700.6	12B1-114	29	60	65	100	23.3	12B2-114	29	80	70	135	30.5	12B3-114	49	102	82	170	46.0

Pinions 8 to 40 teeth in Steel with min. U.T.S. 600N/mm², which can be supplied with induction hardened teeth to 45Rc.

Pinions above 40 teeth are in Steel with min 410N/mm²

All Standard Stock Sprockets can be reworked to customers required bore, keyway, and setscrew requirements, on a 48 hour service.

All dimensions in mm.

† Min. toleranced bore which can be machined in sprocket.

* Sprockets with an asterisk on the hub diameter may be fabricated construction.