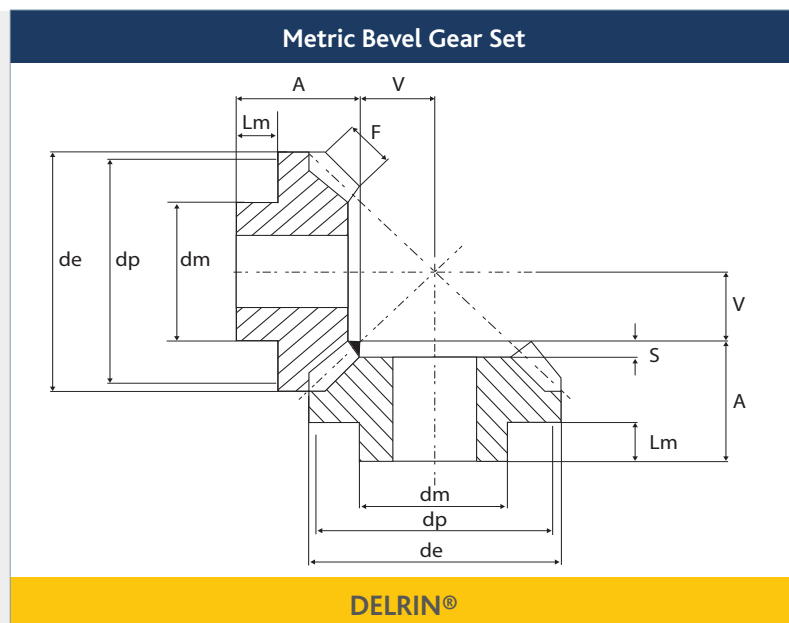


## Metric Moulded Bevel Gear Sets, DELRIN® 500 2:1 Ratio, 0.5 - 1.0 MOD



- Intermediate sizes and special bevels to drawing (tooling charges may apply)
- Standard tolerances, unless otherwise stated  $\pm 0.25$  mm
- Shaft axis to intersect within  $\pm 0.025$  mm
- Angular accuracy between shafts  $\pm 5$  mins
- Mounting distance tolerance  $\pm 0.05$  mm
- Bore tolerance  $-0.02 / -0.04$  mm
- Max. recommended working temperature  $90^{\circ}\text{C}$
- $20^{\circ}$  pressure angle
- Supplied in pairs
- All dimensions in mm
- Moulded DELRIN® 500 to gear quality AGMA 7

Code	Pitch module	No. teeth	Bore	dp (mm)	de (mm)	F (mm)	A + V (mm)	dm (mm)	Lm (mm)	S (mm)	A (mm)
DRB05/2	0.5	40	4	20	20.29	2.5	12	12	4	1.33	8.33
	0.5	20	3	10	11.2	2.5	16	8	4	0	8.46
DRB08/2	0.8	40	5	32	32.47	3.5	18	15	6	1.9	11.91
	0.8	20	4	16	17.92	3.5	24	12	5	0	11.5
DRB10/2	1	40	6	40	40.59	4.5	22	18	7	2.45	14.45
	1	20	5	20	22.4	4.5	30	15	7	0	14.49

Please note: All dimensions subject to change. If a dimension is critical to your application please contact our Sales Department for confirmation. For special or reworked gears please contact our Manufacturing Department for a quotation.

### Sintered Bronze Bushes type OB

Code	Bore $\varnothing$ (mm)	Outside $\varnothing$ D (mm)	Length F (mm)	Use with
OB4612	4	6	12	DRB10

- Intermediate sizes and special bushes to drawing (tooling charges may apply)
- All dimensions in mm
- Bore tolerance G7
- OD tolerance s7
- Length tolerance js13

