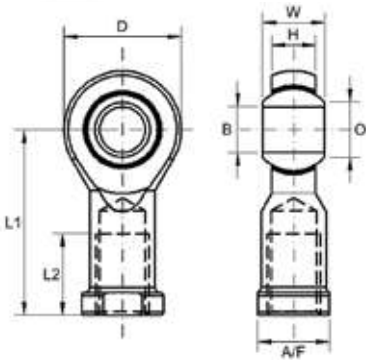




FEMALE ROD ENDS



FS SERIES: FS - FSS - FS SS

Description:

FS Series is our 3-piece steel on steel range of male rod ends incorporating a high strength PTFE bronze mesh between the ball and the liner material, suitable for high shock loads and medium to heavy mechanical load applications requiring low friction, available in both metric and imperial bore thread sizes, they do not require maintenance.

Material Specifications:

Housing: Steel 230M07Pb and forged 080M46, zinc plated and clear trivalent passivate and stainless steel 303L and forged 304. Inner Ring: Steel 070M20 zinc plated and clear trivalent passivate. Liner: High strength PTFE bronze mesh composite. Ball: Bearing steel 100Cr6, heat treated, polished & electroless nickel plated and stainless steel 440C

Features:

Metric & imperial thread & bore sizes, low friction, high shock loads.
Extended wear life
No maintenance
Studded and stainless steel options.

Possible Applications:

Medium/heavy industrial/mechanical applications
Construction equipment
Agricultural equipment
Motor sport and recreational vehicles requiring high precision motion control.

Temperature Range:

-200°C to + 260°C

Specification:

ELV & RoHS compliant

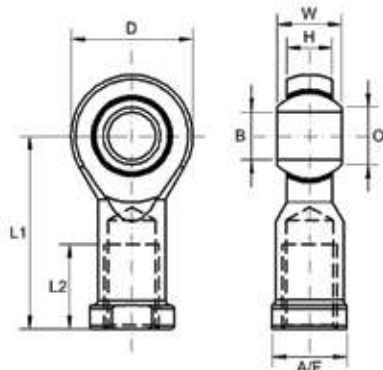
Interchange table

Dunlop	Rose	Aurora	Askubal	SKF	Asahi	IKO	Fluro
FS-M (metric)	MFC	MW-M-T and MG-M-T	KI-P	SIKB-F	JAF-EC	PHS-EC	GISW
FS (imperial)	RFC	MW-T and MG-T	-	-	PHSB-EC	-	

Note: Manufacturers part numbers are used for descriptive purposes only and may not be direct equivalent products.



FS SERIES: MAINTENANCE FREE ROD ENDS WITH FEMALE THREAD (METRIC)



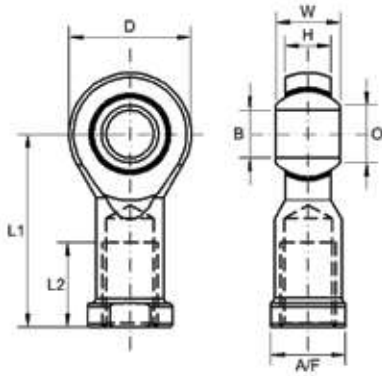
- Housing:** Steel 230M07Pb (Sizes M05 – M12)
Forged 080M46 (Sizes M14 – M25)
Zinc Plated and Clear Trivalent Passivate
- Inner Ring:** Steel 070M20, Zinc Plated and Clear Trivalent Passivate
- Ball:** Bearing Steel 100Cr6, Hardened and Electro-less Nickel Plated
- Liner:** High strength PTFE composite
- Specification:** ELV and RoHS Compliant



Part No. Right Hand	Part No. Left Hand	Bore Size	Thread	W	H	D	L1	L2	O	AF	Static Load Rating (Newtons) Radial
FS-M05	FSL-M05	5	M8X0.80	8	6.00	18	27	10	7.70	9	8000
FS-M06-5	FSL-M06-5	5	M6X1.00	9	6.75	20	30	12	8.90	11	8900
FS-M06	FSL-M06	6	M6X1.00	9	6.75	20	30	12	8.90	11	8900
FS-M08-6	FSL-M08-6	6	M8X1.25	12	9.00	24	36	16	10.40	13	14,100
FS-M08-6C	FSL-M08-6C	6	M8X1.00	12	9.00	24	36	16	10.40	13	14,100
FS-M08	FSL-M08	8	M8X1.25	12	9.00	24	36	16	10.40	13	14,100
FS-M08C	FSL-M08C	8	M8X1.00	12	9.00	24	36	16	10.40	13	14,100
FS-M10-8	FSL-M10-8	8	M10X1.50	14	10.50	28	43	20	12.90	17	19,300
FS-M10-8C	FSL-M10-8C	8	M10X1.25	14	10.50	28	43	20	12.90	17	19,300
FS-M10	FSL-M10	10	M10X1.50	14	10.50	28	43	20	12.90	17	19,300
FS-M10C	FSL-M10C	10	M10X1.25	14	10.50	28	43	20	12.90	17	19,300
FS-M12-10	FSL-M12-10	10	M12X1.75	16	12.00	32	50	22	15.40	19	23,600
FS-M12-10C	FSL-M12-10C	10	M12X1.25	16	12.00	32	50	22	15.40	19	23,600
FS-M12	FSL-M12	12	M12X1.75	16	12.00	32	50	22	15.40	19	23,600
FS-M12C	FSL-M12C	12	M12X1.25	16	12.00	32	50	22	15.40	19	23,600
FS-M14-12	FSL-M14-12	12	M14X2.00	19	13.50	36	57	25	16.80	22	29,200
FS-M14-12C	FSL-M14-12C	12	M14X1.50	19	13.50	36	57	25	16.80	22	29,200
FS-M14	FSL-M14	14	M14X2.00	19	13.50	36	57	25	16.80	22	29,200
FS-M14C	FSL-M14C	14	M14X1.50	19	13.50	36	57	25	16.80	22	29,200
FS-M16-14	FSL-M16-14	14	M16X2.00	21	15.00	42	64	28	19.30	22	32,100
FS-M16-14C	FSL-M16-14C	14	M16X1.50	21	15.00	42	64	28	19.30	22	32,100
FS-M16	FSL-M16	16	M16X2.00	21	15.00	42	64	28	19.30	22	32,100
FS-M16C	FSL-M16C	16	M16X1.50	21	15.00	42	64	28	19.30	22	32,100
FS-M18-16C	FSL-M18-16C	16	M18X1.50	23	16.50	46	71	32	21.80	27	38,400
FS-M18C	FSL-M18C	18	M18X1.50	23	16.50	46	71	32	21.80	27	38,400
FS-M20-18	FSL-M20-18	18	M20X2.50	25	18.00	50	77	33	24.30	32	45,000
FS-M20-18C	FSL-M20-18 C	18	M20X1.50	25	18.00	50	77	33	24.30	32	45,000
FS-M20	FSL-M20	20	M20X2.50	25	18.00	50	77	33	24.30	32	45,000
FS-M20C	FSL-M20C	20	M20X1.50	25	18.00	50	77	33	24.30	32	45,000
FS-M22-20	FSL-M22-20	20	M22X1.50	28	20.00	54	84	37	25.80	32	52,750
FS-M22	FSL-M22	22	M22X1.50	28	20.00	54	84	37	25.80	32	52,750
FS-M25-20	FSL-M25-20	20	M24X2.00	31	22.00	60	94	42	29.60	36	62,000
FS-M25	FSL-M25	25	M24X2.00	31	22.00	60	94	42	29.60	36	62,000

For stainless steel add 'SS' to part no. For example 'FS-M05 SS'

FS SERIES: MAINTENANCE FREE ROD ENDS WITH FEMALE THREAD (IMPERIAL)



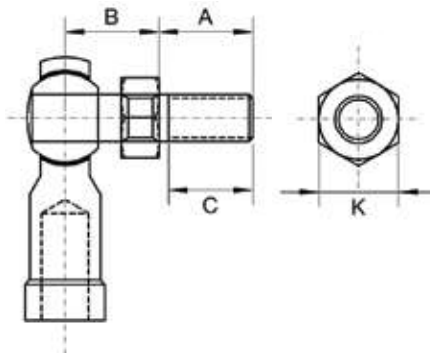
- Housing:** Steel 230M07Pb (Sizes 04 - 07)
Forged 080M46 (Sizes 08 - 12)
Zinc Plated and Clear Trivalent Passivate
- Inner Ring:** Steel 070M20, Zinc Plated and Clear Trivalent Passivate
- Ball:** Bearing Steel 100Cr6, Hardened and Electro-less Nickel Plated
- Liner:** High Strength PTFE Composite
- Specification:** ELV and RoHS Compliant



Part No. Right Hand	Part No. Left Hand	Bore Size	Thread	W	H	D	L1	L2	O	AF	Static Load Rating (Newtons) Radial
FS-04	FSL-04	1/4	1/4 UNF	0.375	0.281	0.812	1.312	0.750	8.40	0.375	8,500
FS-04F	FSL-04F	1/4	1/4 BSF	0.375	0.281	0.812	1.312	0.750	8.40	0.375	8,500
FS-05-4	FSL-05-4	1/4	5/16 UNF	0.437	0.344	1.000	1.375	0.750	11.35	0.437	14,100
FS-05-4F	FSL-05-4F	1/4	5/16 BSF	0.437	0.344	1.000	1.375	0.750	11.35	0.437	14,100
FS-05	FSL-05	5/16	5/16 UNF	0.437	0.344	1.000	1.375	0.750	11.35	0.437	14,100
FS-05F	FSL-05F	5/16	5/16 BSF	0.437	0.344	1.000	1.375	0.750	11.35	0.437	14,100
FS-06-5	FSL-06-5	5/16	3/8 UNF	0.500	0.406	1.125	1.625	0.937	13.10	0.562	19,300
FS-06-5F	FSL-06-5F	5/16	3/8BSF	0.500	0.406	1.125	1.625	0.937	13.10	0.562	19,300
FS-06	FSL-06	3/8	3/8 UNF	0.500	0.406	1.125	1.625	0.937	13.10	0.562	19,300
FS-06F	FSL-06F	3/8	3/8 BSF	0.500	0.406	1.125	1.625	0.937	13.10	0.562	19,300
FS-07-6	FSL-07-6	3/8	7/16 UNF	0.562	0.437	1.250	1.812	1.062	14.90	0.625	21,000
FS-07-6F	FSL-07-6F	3/8	7/16 BSF	0.562	0.437	1.250	1.812	1.062	14.90	0.625	21,000
FS-07	FSL-07	7/16	7/16 UNF	0.562	0.437	1.250	1.812	1.062	14.90	0.625	21,000
FS-07F	FSL-07F	7/16	7/16 BSF	0.562	0.437	1.250	1.812	1.062	14.90	0.625	21,000
FS-08-7	FSL-08-7	7/16	1/2 UNF	0.625	0.500	1.375	2.125	1.187	17.75	0.750	23,600
FS-08-7F	FSL-08-7F	7/16	1/2 BSF	0.625	0.500	1.375	2.125	1.187	17.75	0.750	23,600
FS-08	FSL-08	1/2	1/2 UNF	0.625	0.500	1.375	2.125	1.187	17.75	0.750	23,600
FS-08F	FSL-08F	1/2	1/2 BSF	0.625	0.500	1.375	2.125	1.187	17.75	0.750	23,600
FS-10-8F	FSL-10-8F	1/2	5/8 UNF	0.750	0.562	1.750	2.500	1.500	21.30	0.875	32,100
FS-10-8F	FSL-10-8F	1/2	5/8 BSF	0.750	0.562	1.750	2.500	1.500	21.30	0.875	32,100
FS-10	FSL-10	5/8	5/8 UNF	0.750	0.562	1.750	2.500	1.500	21.30	0.875	32,100
FS-10F	FSL-10F	5/8	5/8 BSF	0.750	0.562	1.750	2.500	1.500	21.30	0.875	32,100
FS-12-10	FSL-12-10	5/8	3/4 UNF	0.875	0.687	2.000	2.875	1.750	24.80	1.000	45,000
FS-12-10F	FSL-12-10F	5/8	3/4 BSF	0.875	0.687	2.000	2.875	1.750	24.80	1.000	45,000
FS-12	FSL-12	3/4	3/4 UNF	0.875	0.687	2.000	2.875	1.750	24.80	1.000	45,000
FS-12F	FSL-12F	3/4	3/4 BSF	0.875	0.687	2.000	2.875	1.750	24.80	1.000	45,000

For stainless steel add 'SS' to part no. For example 'FS-04 SS'

FSS SERIES: STUDED FEMALE ROD ENDS (METRIC)

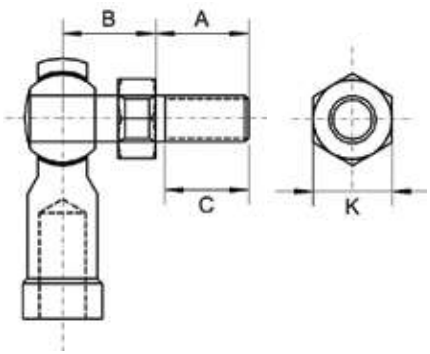


- Housing:** Steel 230M07Pb (Sizes M05 – M12)
Forged 080M46 (Sizes M14 – M16)
Zinc Plated and Clear Trivalent Passivate
- Inner Ring:** Steel 070M20, Zinc Plated and Clear Trivalent Passivate
- Ball:** Bearing Steel 100Cr6, Hardened and Electro-less Nickel Plated
- Stud:** Steel 230M07Pb, Zinc Plated and Clear Trivalent Passivate
- Liner:** High Strength PTFE Composite
- Specification:** ELV and RoHS Compliant



Part No. Right Hand	Part No. Left Hand	Stud Size	Housing Thread	A	B	C	K	Static Load Rating (Newtons) Radial
FS-M05S	FSL-M05S	M5X0.80	M5x0.80	10	10	8	9	1,200
FS-M06S	FSL-M06S	M6X1.00	M6X1.00	12	12	10	10	1,930
FS-M08S	FSL-M08S	M8X1.25	M8X1.25	16	16	14	13	3,190
FS-M10S	FSL-M10S	M10X1.50	M10X1.50	20	20	18	17	4,240
FS-M12S	FSL-M12S	M12X1.75	M12X1.75	24	24	21	19	5,720
FS-M14S	FSL-M14S	M14X2.00	M14X2.00	28	28	25	22	7,200
FS-M16S	FSL-M16S	M16X2.00	M16X2.00	29	29	24	24	9,000

FSS SERIES: STUDED FEMALE ROD ENDS (IMPERIAL)



- Housing:** Steel 230M07Pb (Sizes 04 - 07)
Forged 080M46 (Sizes 08 - 10)
Zinc Plated and Clear Trivalent Passiv.
- Inner Ring:** Steel 070M20, Zinc Plated and Clear Trivalent Passivate
- Ball:** Bearing Steel 100Cr6, Hardened and Electro-less Nickel Plated
- Stud:** Steel 230M07Pb, Zinc Plated and Clear Trivalent Passivate
- Liner:** High Strength PTFE Composite
- Specification:** ELV and RoHS Compliant



Part No. Right Hand	Part No. Left Hand	Stud Size	Housing Thread	A	B	C	K	Static Load Rating (Newtons) Radial
FS-04S	FSL-04S	1/4 UNF	1/4 UNF	0.562	0.485	0.500	0.375	1,500
FS-05S	FSL-05S	5/16 UNF	5/16 UNF	0.687	0.547	0.594	0.437	3,190
FS-06S	FSL-06S	3/8 UNF	3/8 UNF	0.906	0.562	0.812	0.500	4,240
FS-07S	FSL-07S	7/16 UNF	7/16 UNF	1.125	0.843	1.000	0.625	5,720
FS-08S	FSL-08S	1/2 UNF	1/2 UNF	1.125	0.875	1.000	0.625	7,200
FS-10S	FSL-10S	5/8 UNF	5/8 UNF	1.125	1.000	1.000	0.750	9,000

For stainless steel add 'SS' to part no. For example 'FS-M05S SS'