



## MOTOR DATA SHEET

**MOTOR PART CODE:**

**0.2521TCCB14B**

**FRAME SIZE:**

**632-2**

**50Hz**

|                       |      |
|-----------------------|------|
| Output (kW)           | 0.25 |
| Rotation Speed (rpm)  | 2800 |
| Voltage               | 230  |
| Full Load Current (A) | 1.71 |
| Full Load Torque (Nm) | 0.85 |

|                         |             |
|-------------------------|-------------|
| Factory Reference       | ML632-2     |
| Tst/Tn (times)          | 2.3         |
| Tmax/Tn                 | 1.8         |
| Noise (dB)              | 70          |
| Moment of inertia       | 0.00016822  |
| Type of feet            | Not Fitted  |
| Rotation Direction      | F / R       |
| Cooling                 | IC411       |
| Standard                | IEC60034    |
| IP Rating               | IP55        |
| Allowed Radial Load (N) | 326         |
| Bearing (DE)            | 6201 2RZ C3 |

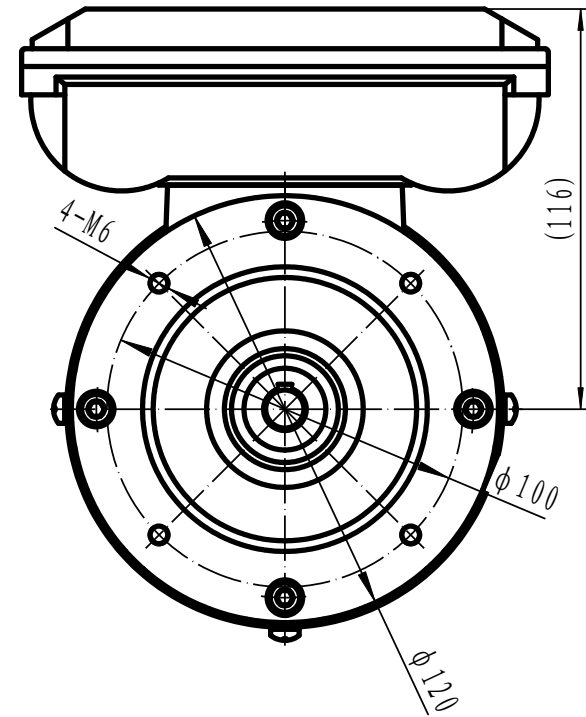
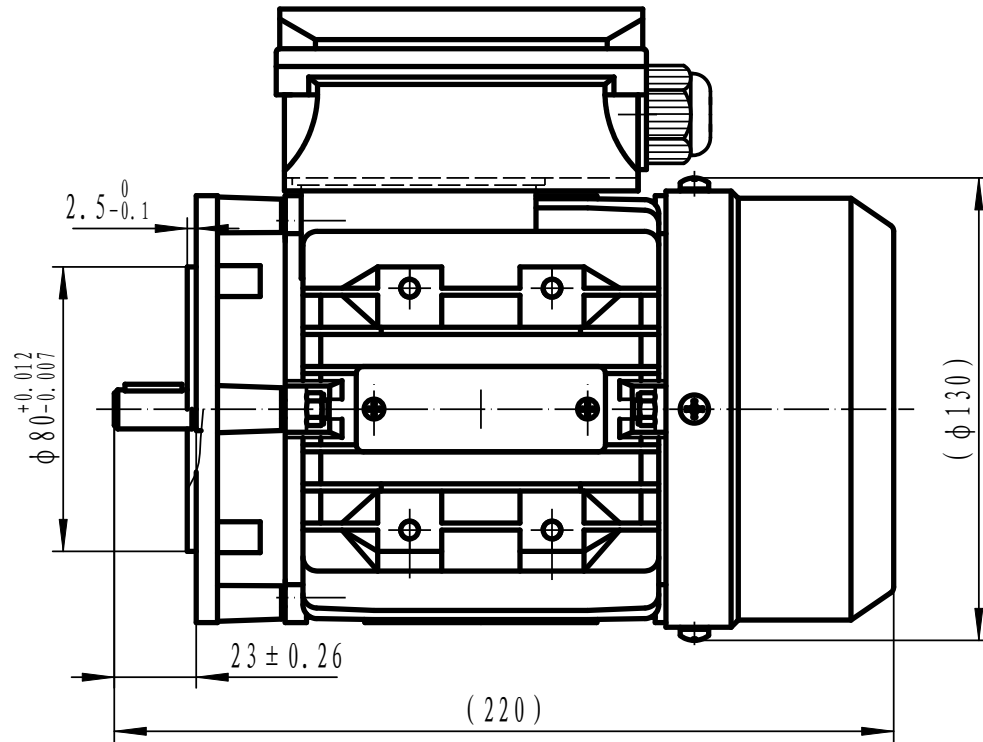
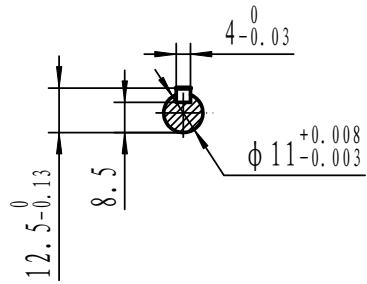
|                        |               |
|------------------------|---------------|
| Power Factor (cos)     | 0.94          |
| Tmin/Tn                | 1.45          |
| Ist/In (Times)         | 4.8           |
| Net Weight (Kg)        | 4.4           |
| Housing material       | Aluminium     |
| Insulation Class       | F             |
| Duty Cycle             | S1            |
| Paint                  | RAL 7024      |
| Ambient Temperature    | -20°C to +40° |
| Starting Method        | DOL           |
| Allowed Axial Load (N) | 260           |
| Bearing (NDE)          | 6201 2RZ C3   |

*Motors designed and manufactured in accordance with:*

**IEC 60034**  
**IEC 60038**  
**IEC 60072**  
**2014/30/EU (EMC)**  
**2014/35/EU (LVD)**  
**2011/65/EU (RoHS 2)**

[www.tecmotors.co.uk](http://www.tecmotors.co.uk)

TEC Electric Motors Ltd. reserves the right to amend or change motor designs or data sheet information



|             |            |
|-------------|------------|
| Drawn By    | Date       |
| A442313     | 27/11/2017 |
| Approved by | Date       |
| L. Overton  | 27/11/2017 |
| Issue No =  | Date       |
| A401/001/18 | 27/11/2017 |

**TCC 63 B14B**

