



## MOTOR DATA SHEET

**MOTOR PART CODE:**

**0.2541TPCB35**

**FRAME SIZE:**

**711-4**

**50Hz**

|                       |      |
|-----------------------|------|
| Output (kW)           | 0.25 |
| Rotation Speed (rpm)  | 1310 |
| Voltage               | 230  |
| Full Load Current (A) | 1.81 |
| Full Load Torque (Nm) | 1.82 |

|                         |                |
|-------------------------|----------------|
| Factory Reference       | MYT711-4       |
| Tst/Tn (times)          | 0.7            |
| Tmax/Tn                 | 1.55           |
| Noise (dB)              | 65             |
| Moment of inertia       | 0.000691907    |
| Type of feet            | Removable feet |
| Rotation Direction      | F / R          |
| Cooling                 | IC411          |
| Standard                | IEC60034       |
| IP Rating               | IP55           |
| Allowed Radial Load (N) | 457            |
| Bearing (DE)            | 6202 2RZ C3    |

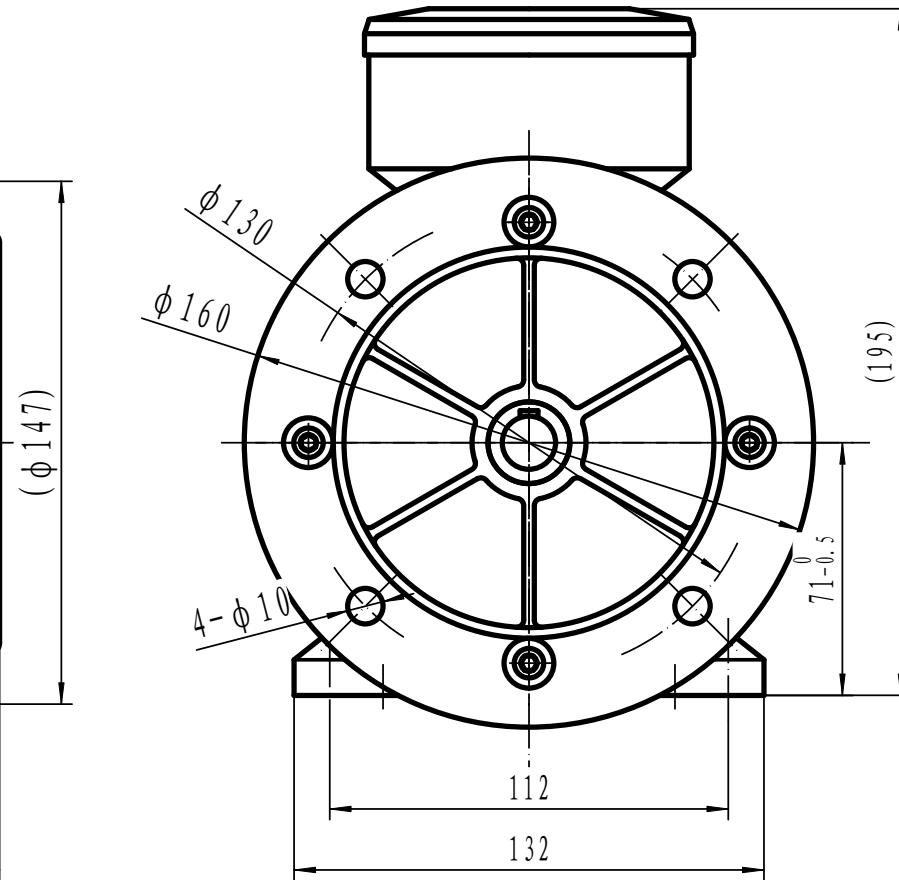
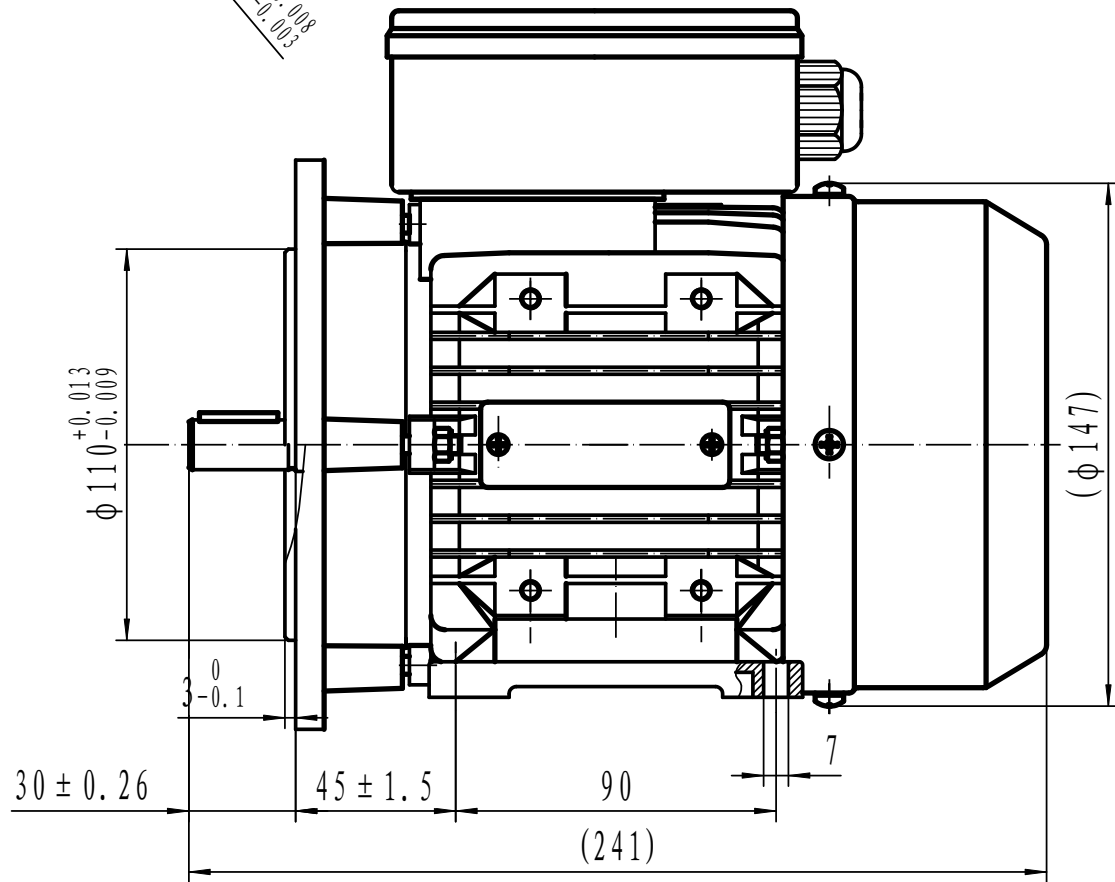
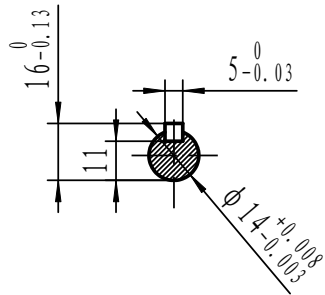
|                        |               |
|------------------------|---------------|
| Power Factor (cos)     | 0.99          |
| Tmin/Tn                | 0.74          |
| Ist/In (Times)         | 2.5           |
| Net Weight (Kg)        | 6.2           |
| Housing material       | Aluminum      |
| Insulation Class       | F             |
| Duty Cycle             | S1            |
| Paint                  | RAL 7024      |
| Ambient Temperature    | -20°C to +40° |
| Starting Method        | DOL           |
| Allowed Axial Load (N) | 385           |
| Bearing (NDE)          | 6202 2RZ C3   |

*Motors designed and manufactured in accordance with:*

**IEC 60034**  
**IEC 60038**  
**IEC 60072**  
**2014/30/EU (EMC)**  
**2014/35/EU (LVD)**  
**2011/65/EU (RoHS 2)**

[www.tecmotors.co.uk](http://www.tecmotors.co.uk)

TEC Electric Motors Ltd. reserves the right to amend or change motor designs or data sheet information



|             |            |
|-------------|------------|
| Drawn By    | Date       |
| A442313     | 27/11/2017 |
| Approved by | Date       |
| L. Overton  | 27/11/2017 |
| Issue No =  | Date       |
| TPC01/A001  | 27/11/2017 |

**TPC 71 B35**

