



# BRAKE MOTOR DATA SHEET

**MOTOR PART CODE:**

**0.2543TECAB5-BM**

**FRAME SIZE:**

**711-4**

**50Hz**

Output (kW)	0.25
Rotation Speed (rpm)	1350
Voltage	230/400
Full Load Current (A)	1.45   0.84
Full Load Torque (Nm)	1.77

**60Hz**

Output (kW)	0.3
Rotation Speed (rpm)	1620
Voltage	276   480
Full Load Current (A)	1.45   0.84
Full Load Torque (Nm)	1.48

### Efficiency Data

**100%**

60

**75%**

59

**50%**

56

Factory Reference	MSB711-4
Tst/Tn (times)	2.2
Tmax/Tn	2.4
Noise (dB)	55
Moment of inertia	0.000561
Type of feet	Not Fitted
Protection	IP55
Rotation Direction	F / R
Cable Glands	1 - M20× 1.5
Paint Colour	RAL 7024
Brake Torque (Nm)	3.5
Brake Voltage	205v DC
Recitifer	Full Wave

Power Factor (cos)	0.72
Tmin/Tn	1.7
Ist/In (Times)	6
Net Weight (Kg)	5
Housing material	Aluminum
Insulation Class	F
Thermal Protection	PTC 130°C
Duty Cycle	S1
Cooling	IC411
Ambient Temperature	-20°C to +40°
Bearing Brand	NSK
Bearing (DE)	6202 2RS C3
Bearing (NDE)	6202 2RS C3

*Motors designed and manufactured in accordance with:*

**IEC 60034**

**IEC 60038**

**IEC 60072**

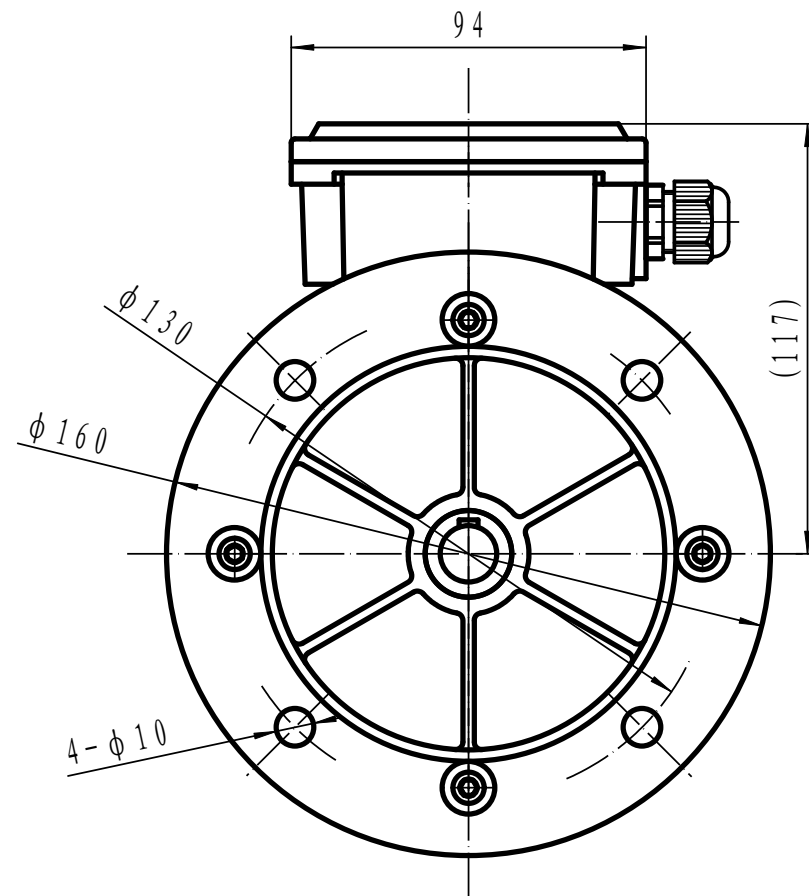
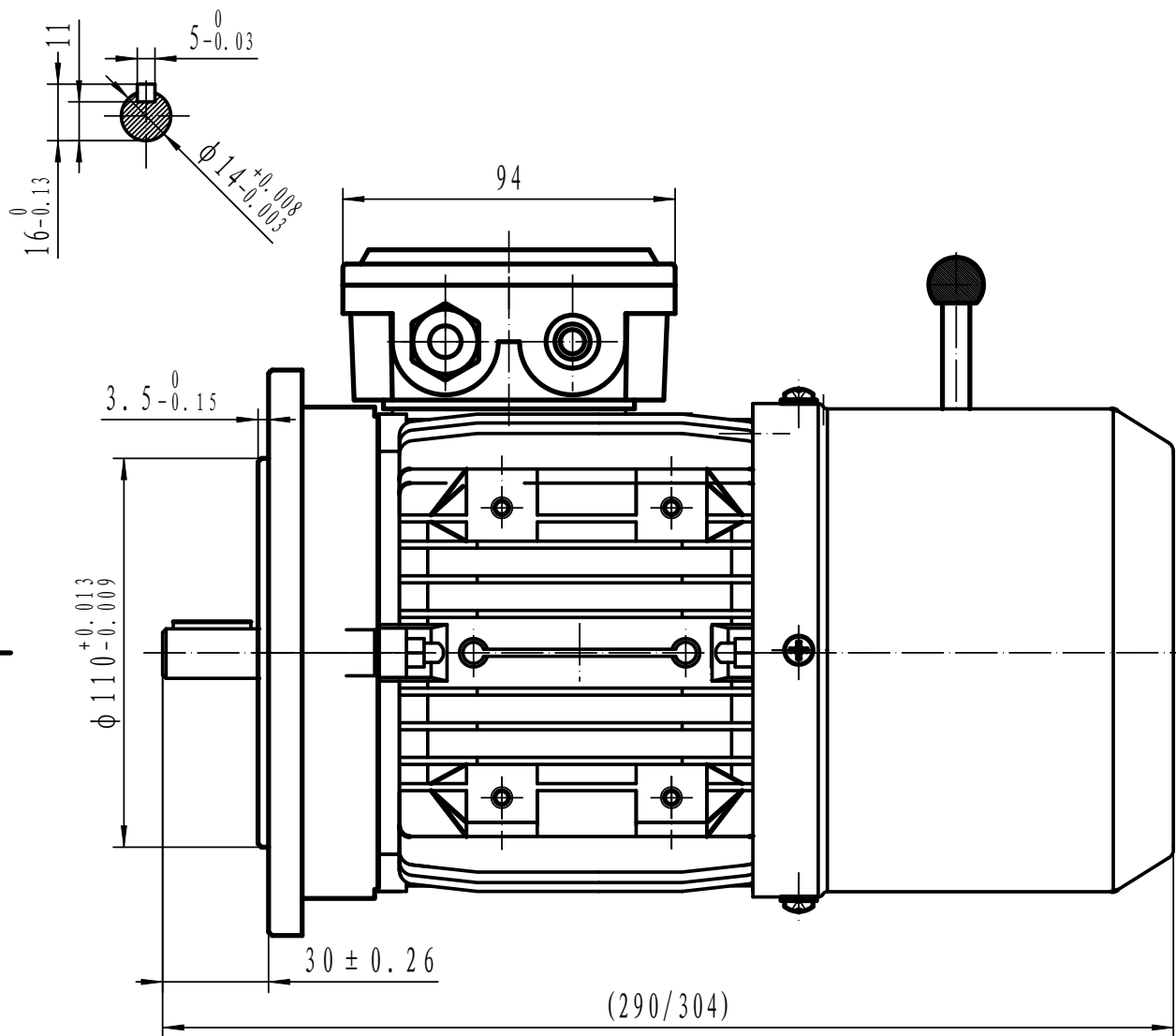
**2014/30/EU (EMC)**

**2014/35/EU (LVD)**

**2011/65/EU (RoHS 2)**

[www.tecmotors.co.uk](http://www.tecmotors.co.uk)

TEC Electric Motors Ltd. reserves the right to amend or change motor designs or data sheet information



Drawn By	Date
A442313	27/11/2017
Approved by	Date
L. Overton	27/11/2017
Issue No =	Date
BM01/A001	27/11/2017

**TECA BM 71 B5**



www.tecmotors.co.uk