



MOTOR DATA SHEET

MOTOR PART CODE:

0.2561TPCB34B

FRAME SIZE:

712-6

50Hz

| | |
|-----------------------|------|
| Output (kW) | 0.25 |
| Rotation Speed (rpm) | 925 |
| Voltage | 230 |
| Full Load Current (A) | 2.12 |
| Full Load Torque (Nm) | 2.58 |

| | |
|-------------------------|----------------|
| Factory Reference | MYT712-6 |
| Tst/Tn (times) | 0.58 |
| Tmax/Tn | 1.7 |
| Noise (dB) | 68 |
| Moment of inertia | 0.00115104 |
| Type of feet | Removable feet |
| Rotation Direction | F / R |
| Cooling | IC411 |
| Standard | IEC60034 |
| IP Rating | IP55 |
| Allowed Radial Load (N) | 522 |
| Bearing (DE) | 6202 2RZ C3 |

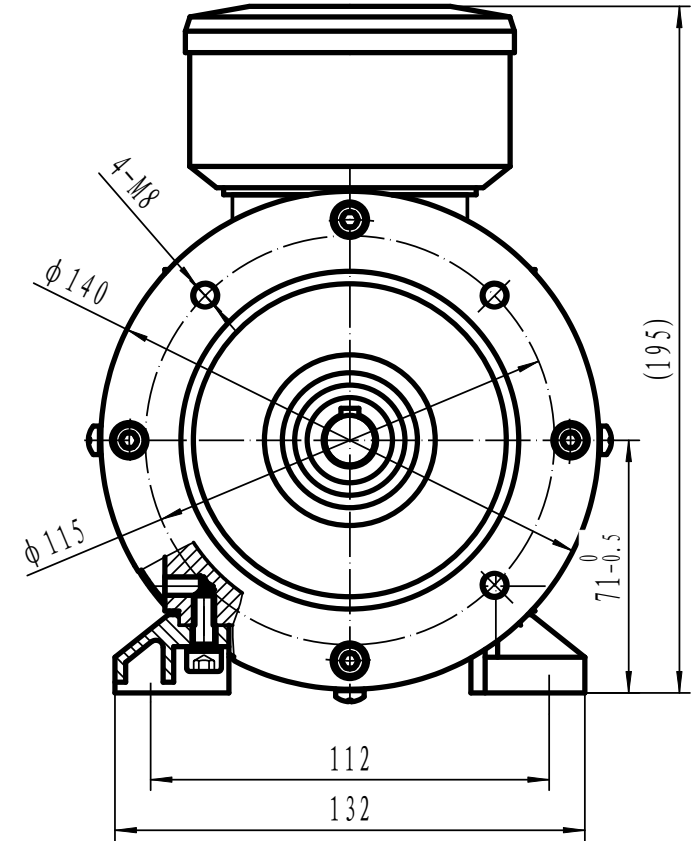
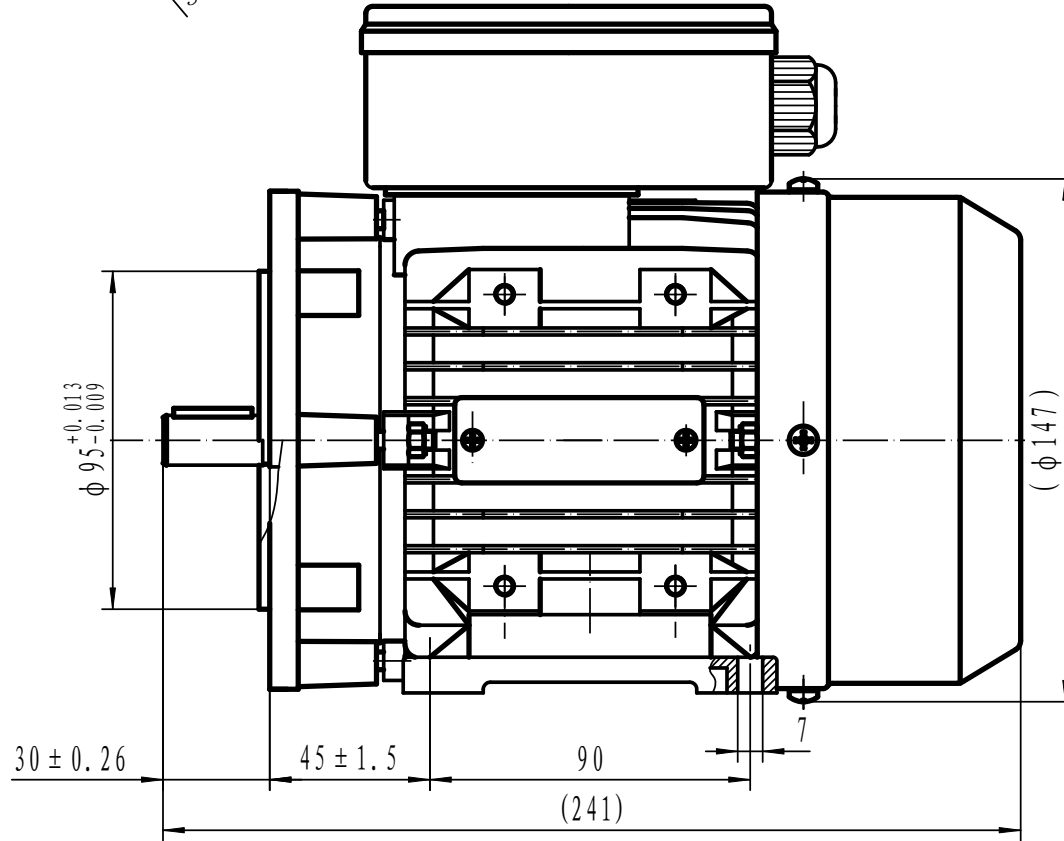
| | |
|------------------------|---------------|
| Power Factor (cos) | 0.95 |
| Tmin/Tn | 0.56 |
| Ist/In (Times) | 2.4 |
| Net Weight (Kg) | 7.6 |
| Housing material | Aluminum |
| Insulation Class | F |
| Duty Cycle | S1 |
| Paint | RAL 7024 |
| Ambient Temperature | -20°C to +40° |
| Starting Method | DOL |
| Allowed Axial Load (N) | 461 |
| Bearing (NDE) | 6202 2RZ C3 |

Motors designed and manufactured in accordance with:

IEC 60034
IEC 60038
IEC 60072
2014/30/EU (EMC)
2014/35/EU (LVD)
2011/65/EU (RoHS 2)

www.tecmotors.co.uk

TEC Electric Motors Ltd. reserves the right to amend or change motor designs or data sheet information



| | |
|-------------|------------|
| Drawn By | Date |
| A442313 | 27/11/2017 |
| Approved by | Date |
| L. Overton | 27/11/2017 |
| Issue No = | Date |
| TPC01/A001 | 27/11/2017 |

TPC 71 B34B



www.tecmotors.co.uk