



MOTOR DATA SHEET

MOTOR PART CODE:

0.5521TCCB14B

FRAME SIZE:

712-2

50Hz

Output (kW)	0.55
Rotation Speed (rpm)	2790
Voltage	230
Full Load Current (A)	3.31
Full Load Torque (Nm)	1.88

Factory Reference	ML712-2
Tst/Tn (times)	2.5
Tmax/Tn	1.8
Noise (dB)	75
Moment of inertia	0.00043685
Type of feet	Not Fitted
Rotation Direction	F / R
Cooling	IC411
Standard	IEC60034
IP Rating	IP55
Allowed Radial Load (N)	363
Bearing (DE)	6202 2RZ C3

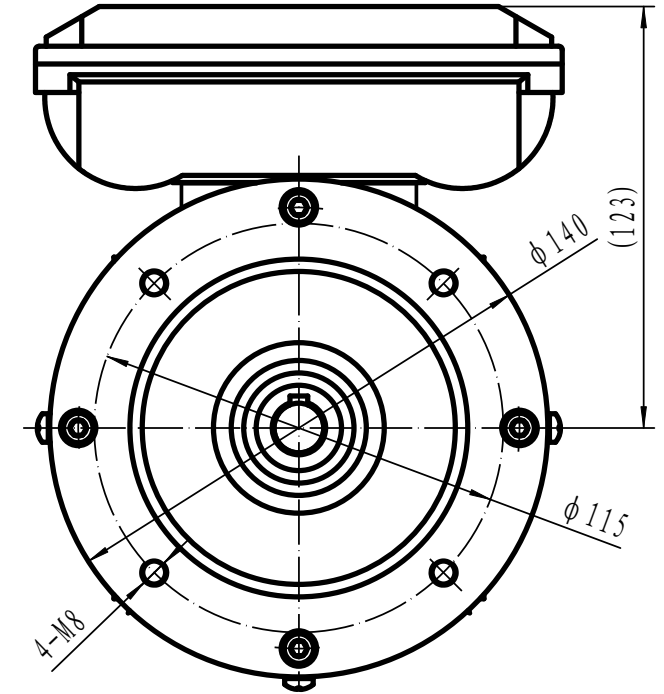
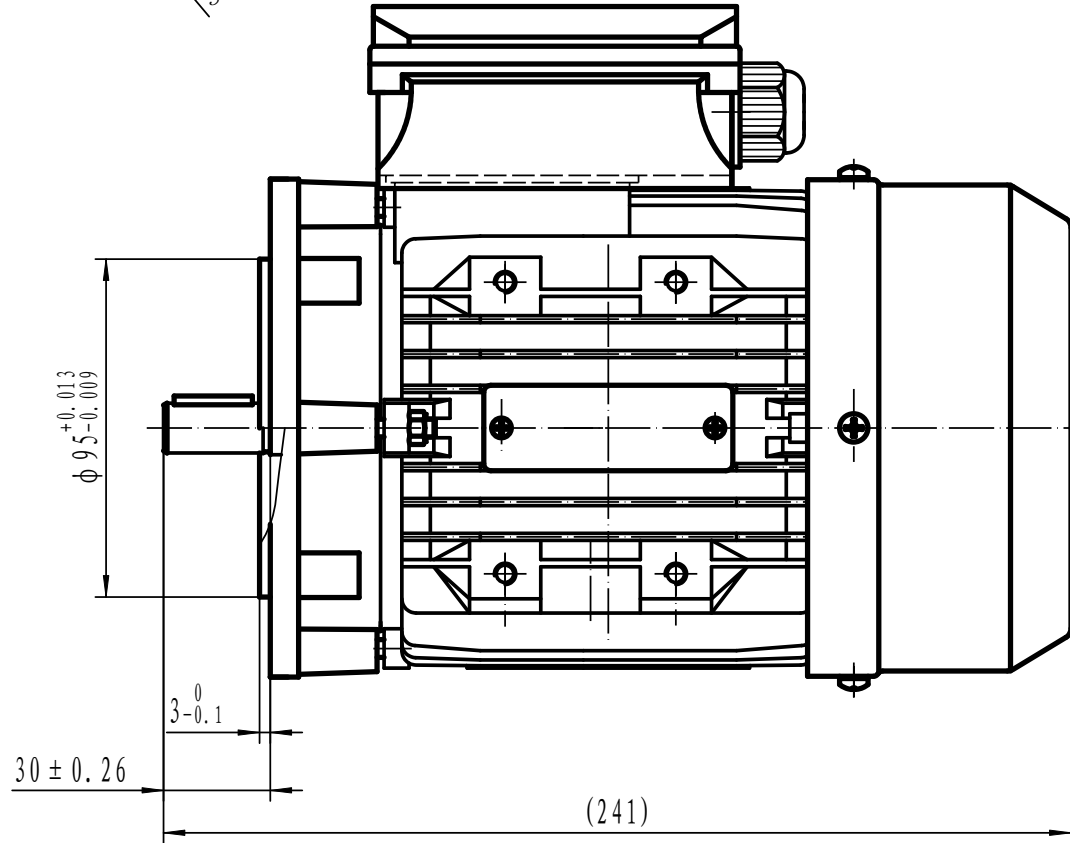
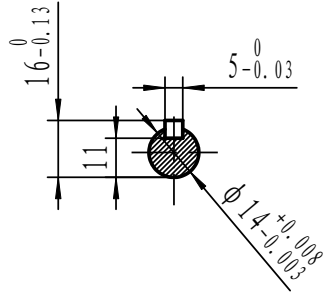
Power Factor (cos)	0.97
Tmin/Tn	1.6
Ist/In (Times)	6
Net Weight (Kg)	7
Housing material	Aluminium
Insulation Class	F
Duty Cycle	S1
Paint	RAL 7024
Ambient Temperature	-20°C to +40°
Starting Method	DOL
Allowed Axial Load (N)	283
Bearing (NDE)	6202 2RZ C3

Motors designed and manufactured in accordance with:

IEC 60034
IEC 60038
IEC 60072
2014/30/EU (EMC)
2014/35/EU (LVD)
2011/65/EU (RoHS 2)

www.tecmotors.co.uk

TEC Electric Motors Ltd. reserves the right to amend or change motor designs or data sheet information



Drawn By	Date
A442313	27/11/2017
Approved by	Date
L. Overton	27/11/2017
Issue No =	Date
A401/001/18	27/11/2017

TCC 71 B14B



www.tecmotors.co.uk