



# BRAKE MOTOR DATA SHEET

**MOTOR PART CODE:**

**0.5543TECAB3-BM**

**FRAME SIZE:**

**801-4**

	50Hz
Output (kW)	0.55
Rotation Speed (rpm)	1400
Voltage	230/400
Full Load Current (A)	2.62   1.51
Full Load Torque (Nm)	3.75

	60Hz
Output (kW)	0.66
Rotation Speed (rpm)	1680
Voltage	276   480
Full Load Current (A)	2.62   1.51
Full Load Torque (Nm)	3.13

## Efficiency Data

100%	75%	50%
70	68.8	63.2

Factory Reference	MSB801-4
Tst/Tn (times)	2.3
Tmax/Tn	2.4
Noise (dB)	58
Moment of inertia	0.00135
Type of feet	Removable feet
Protection	IP55
Rotation Direction	F / R
Cable Glands	1 - M20× 1.5
Paint Colour	RAL 7024
Brake Torque (Nm)	9
Brake Voltage	205v DC
Recitifer	Full Wave

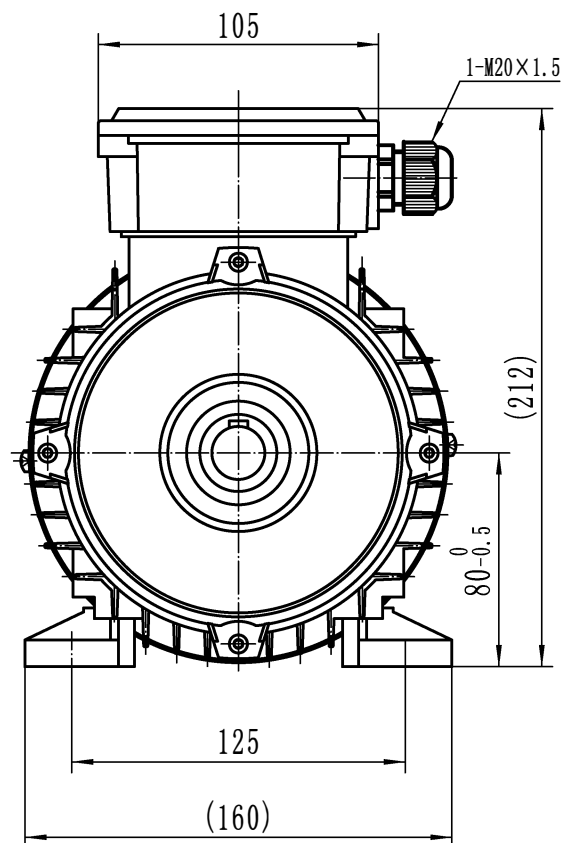
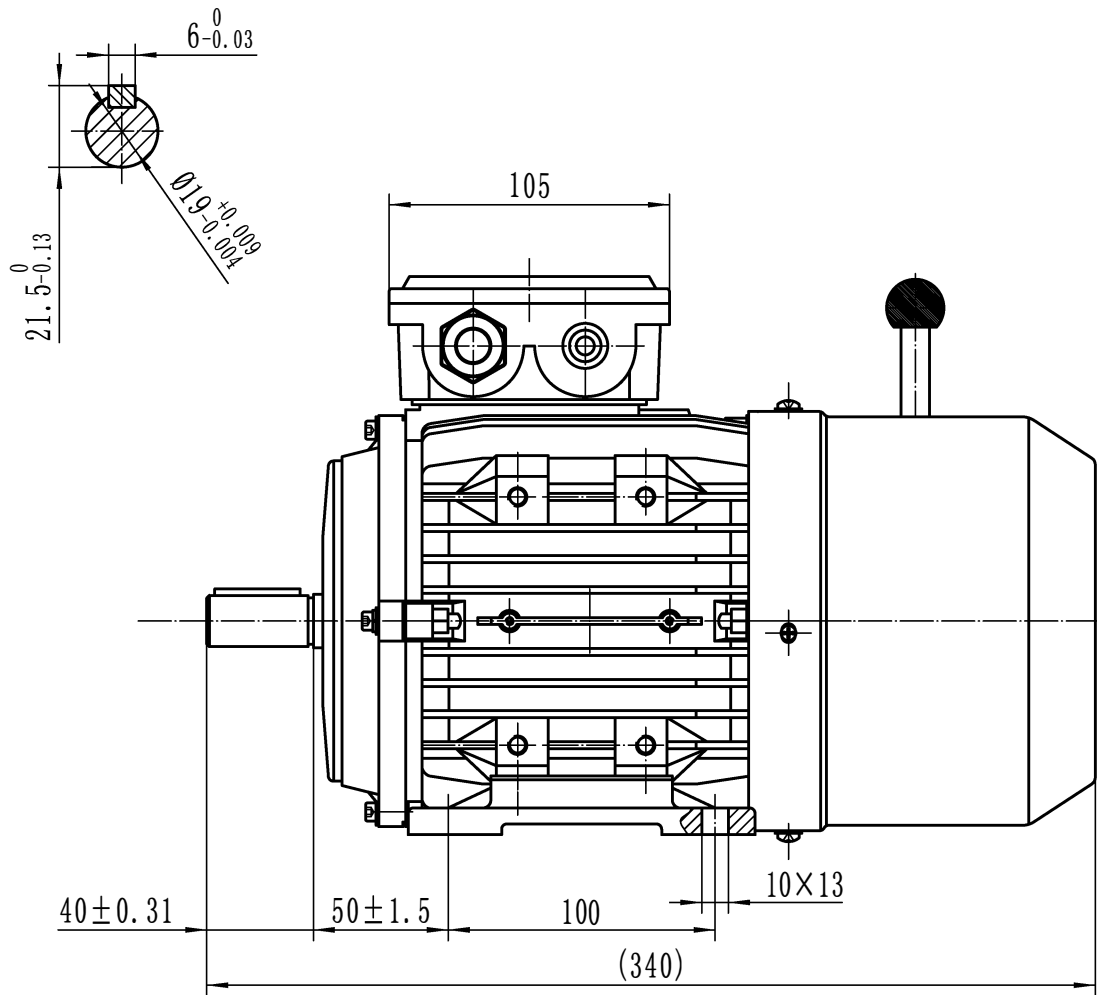
Power Factor (cos)	0.75
Tmin/Tn	1.8
Ist/In (Times)	5
Net Weight (Kg)	8.1
Housing material	Aluminum
Insulation Class	F
Thermal Protection	PTC 130°C
Duty Cycle	S1
Cooling	IC411
Ambient Temperature	-20°C to +40°
Bearing Brand	NSK
Bearing (DE)	6204 2RS C3
Bearing (NDE)	6204 2RS C3

*Motors designed and manufactured in accordance with:*

**IEC 60034**  
**IEC 60038**  
**IEC 60072**  
**2014/30/EU (EMC)**  
**2014/35/EU (LVD)**  
**2011/65/EU (RoHS 2)**

[www.tecmotors.co.uk](http://www.tecmotors.co.uk)

TEC Electric Motors Ltd. reserves the right to amend or change motor designs or data sheet information



Drawn By	Date
A442313	27/11/2017
Approved by	Date
L. Overton	27/11/2017
Issue No =	Date
BM01/A001	27/11/2017

**TECA BM 80 B3**

