



# BRAKE MOTOR DATA SHEET

**MOTOR PART CODE:**

**0.5543TECAB34-BM**

**FRAME SIZE:**

**801-4**

**50Hz**

Output (kW)	0.55
Rotation Speed (rpm)	1400
Voltage	230/400
Full Load Current (A)	2.62   1.51
Full Load Torque (Nm)	3.75

**60Hz**

Output (kW)	0.66
Rotation Speed (rpm)	1680
Voltage	276   480
Full Load Current (A)	2.62   1.51
Full Load Torque (Nm)	3.13

## Efficiency Data

**100%**

**75%**

**50%**

70	68.8	63.2
----	------	------

Factory Reference	MSB801-4
Tst/Tn (times)	2.3
Tmax/Tn	2.4
Noise (dB)	58
Moment of inertia	0.00135
Type of feet	Removable feet
Protection	IP55
Rotation Direction	F / R
Cable Glands	1 - M20× 1.5
Paint Colour	RAL 7024
Brake Torque (Nm)	9
Brake Voltage	205v DC
Recitifer	Full Wave

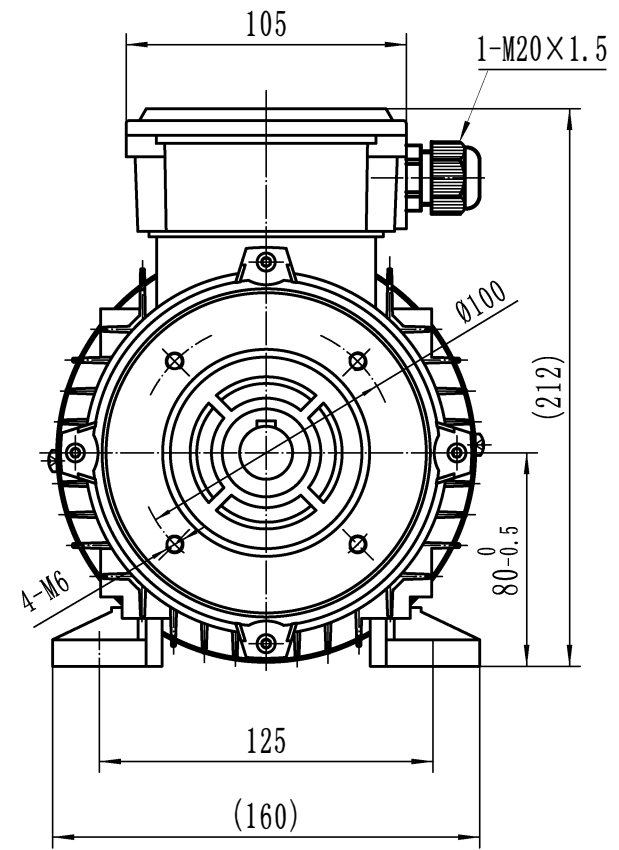
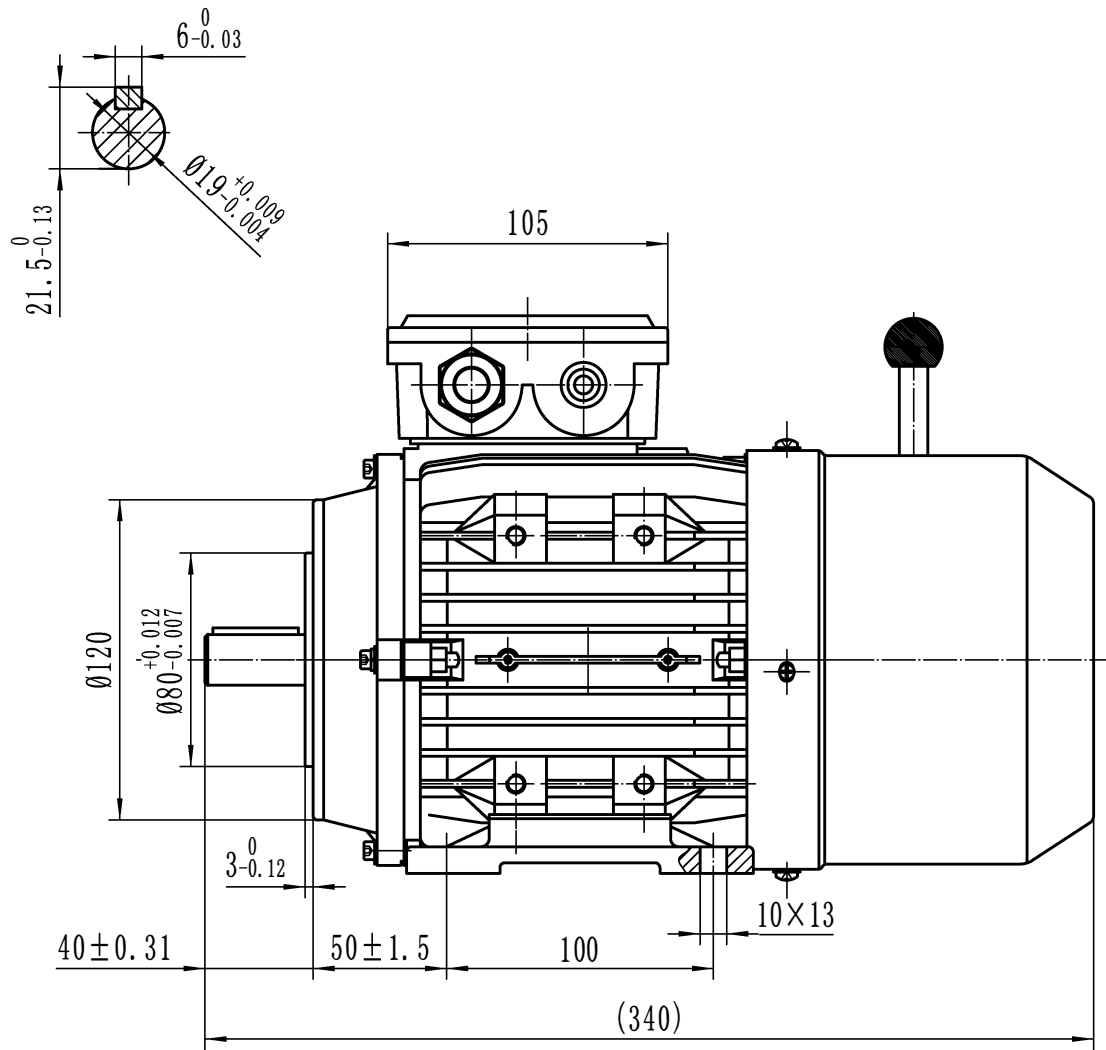
Power Factor (cos)	0.75
Tmin/Tn	1.8
Ist/In (Times)	5
Net Weight (Kg)	8.1
Housing material	Aluminum
Insulation Class	F
Thermal Protection	PTC 130°C
Duty Cycle	S1
Cooling	IC411
Ambient Temperature	-20°C to +40°
Bearing Brand	NSK
Bearing (DE)	6204 2RS C3
Bearing (NDE)	6204 2RS C3

*Motors designed and manufactured in accordance with:*

**IEC 60034**  
**IEC 60038**  
**IEC 60072**  
**2014/30/EU (EMC)**  
**2014/35/EU (LVD)**  
**2011/65/EU (RoHS 2)**

[www.tecmotors.co.uk](http://www.tecmotors.co.uk)

TEC Electric Motors Ltd. reserves the right to amend or change motor designs or data sheet information



Drawn By	Date
A442313	27/11/2017
Approved by	Date
L. Overton	27/11/2017
Issue No =	Date
BM01/A001	27/11/2017

**TECA BM 80 B34**

  
[www.tecmotors.co.uk](http://www.tecmotors.co.uk)