



MOTOR DATA SHEET

MOTOR PART CODE:

0.7523TECAB35-IE3

FRAME SIZE:

801-2

| | 50Hz |
|-----------------------|-------------|
| Output (kW) | 0.75 |
| Rotation Speed (rpm) | 2890 |
| Voltage | 230/400 |
| Full Load Current (A) | 2.87 1.66 |
| Full Load Torque (Nm) | 2.478373702 |

| | 60Hz |
|-----------------------|-------------|
| Output (kW) | 0.9 |
| Rotation Speed (rpm) | 3468 |
| Voltage | 276 480 |
| Full Load Current (A) | 2.87 1.66 |
| Full Load Torque (Nm) | 2.07 |

Efficiency Data

| 100% | 75% | 50% |
|------|------|------|
| 80.7 | 80.3 | 77.2 |

| | |
|--------------------|----------------|
| Factory Reference | T3A 801-2 |
| Tst/Tn (times) | 3.1 |
| Tmax/Tn | 3.2 |
| Noise (dB) | 67 |
| Moment of inertia | 0.000972153 |
| Type of feet | Removable feet |
| Protection | IP55 |
| Rotation Direction | F / R |
| Cable Glands | 1 - M20 × 1.5 |
| Paint Colour | RAL 7024 |
| Efficiency | IE3 |
| Bearing (DE) | 6204 2RS C3 |

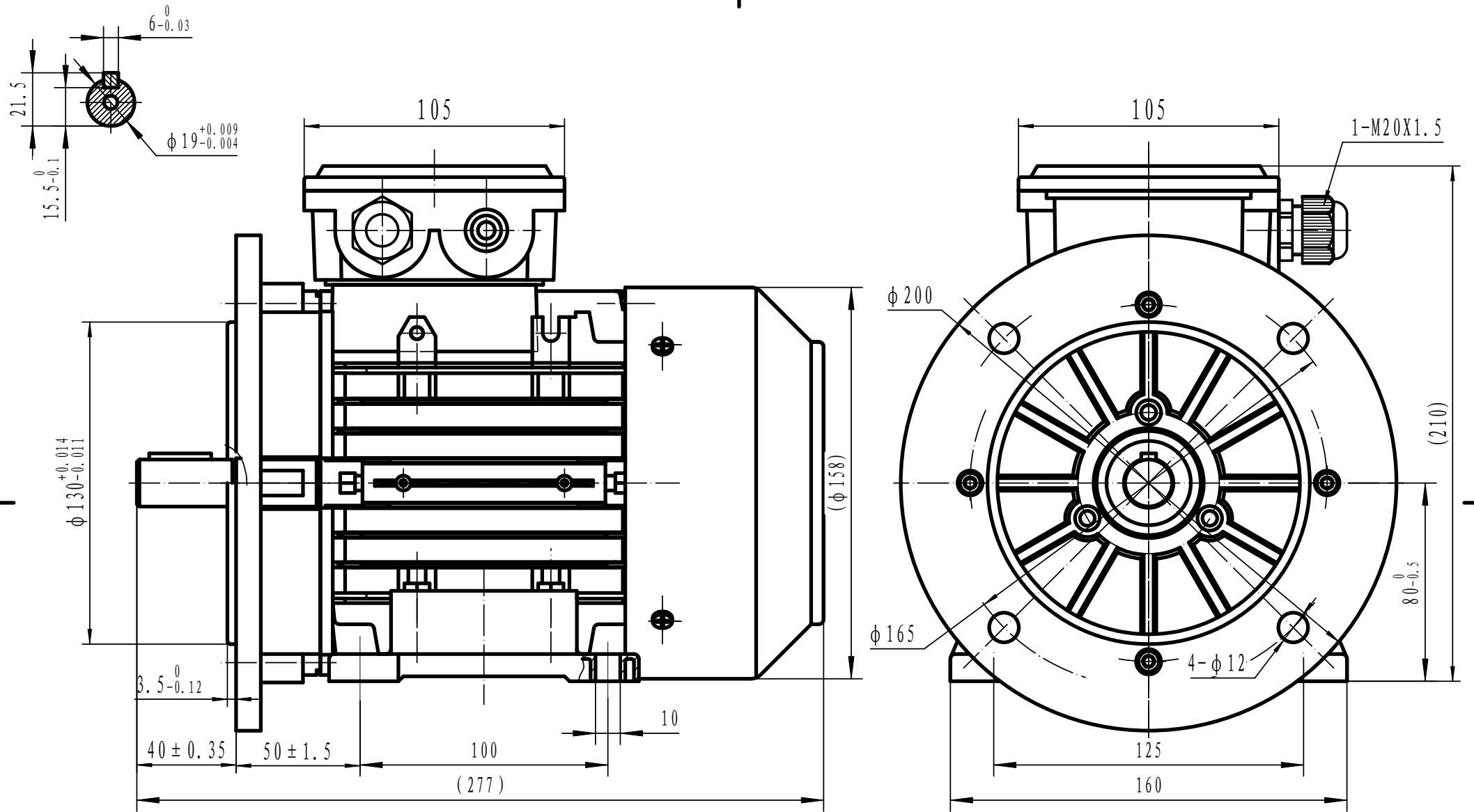
| | |
|---------------------|----------------|
| Power Factor (cos) | 0.81 |
| Tmin/Tn | 2.3 |
| Ist/In (Times) | 7.4 |
| Net Weight (Kg) | 8.9 |
| Housing material | Aluminum |
| Insulation Class | F |
| Thermal Protection | PTC 130°C |
| Duty Cycle | S1 |
| Cooling | IC 411 |
| Ambient Temperature | -20°C to +40°C |
| Bearing Brand | NSK |
| Bearing (NDE) | 6204 2RS C3 |

Motors designed and manufactured in accordance with:

**IEC 60034
IEC 60038
IEC 60072
2014/30/EU (EMC)
2014/35/EU (LVD)
2011/65/EU (RoHS 2)**

www.tecmotors.co.uk

TEC Electric Motors Ltd. reserves the right to amend or change motor designs or data sheet information



| | |
|-------------|------------|
| Drawn By | Date |
| TECHTOP | 27/11/2017 |
| Approved by | Date |
| L. Overton | 27/11/2017 |
| Issue No = | Date |
| 001/A | 27/11/2017 |

TA80B35

