



MOTOR DATA SHEET

MOTOR PART CODE:

0.7523TECCB5-IE2

FRAME SIZE:

801-2

| | 50Hz |
|-----------------------|-----------|
| Output (kW) | 0.75 |
| Rotation Speed (rpm) | 2840 |
| Voltage | 230/400 |
| Full Load Current (A) | 2.99/1.73 |
| Full Load Torque (Nm) | 2.52 |

| | 60Hz |
|-----------------------|-----------|
| Output (kW) | 0.9 |
| Rotation Speed (rpm) | 3408 |
| Voltage | 276/480 |
| Full Load Current (A) | 2.99/1.73 |
| Full Load Torque (Nm) | 2.10 |

Efficiency Data

| 100% | 75% | 50% |
|------|------|------|
| 77.4 | 77.5 | 73.8 |

| | |
|--------------------|--------------|
| Factory Reference | T2C 801-2 |
| Tst/Tn (times) | 2.5 |
| Tmax/Tn | 2.6 |
| Noise (dB) | 67 |
| Moment of inertia | 0.00084 |
| Type of feet | Not fitted |
| Protection | IP55 |
| Rotation Direction | F / R |
| Cable Glands | 1 - M20× 1.5 |
| Paint Colour | RAL 7024 |
| Efficiency | IE2 |
| Bearing (DE) | 6204 2RS C3 |

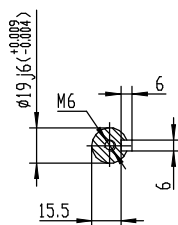
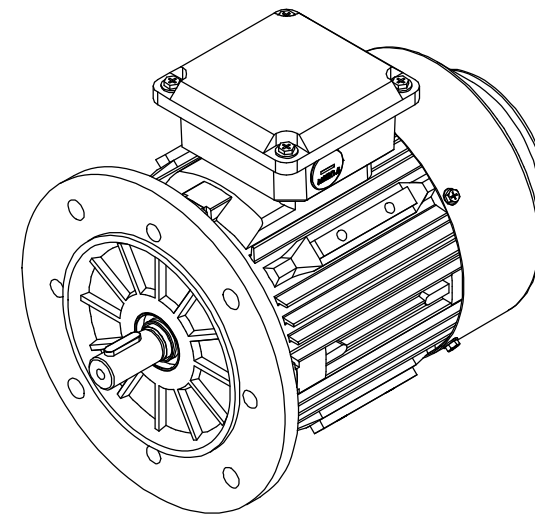
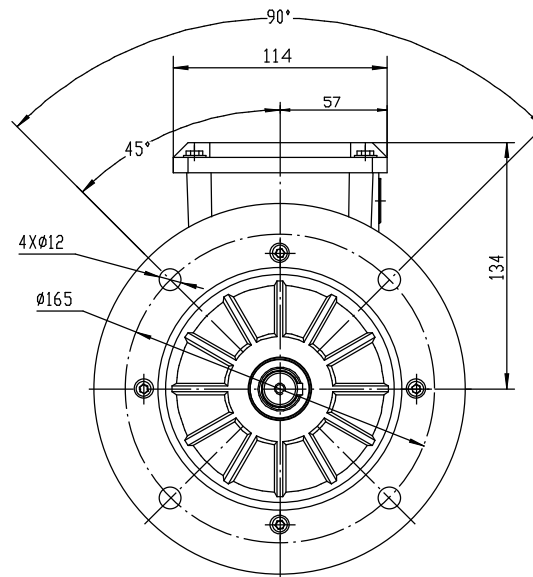
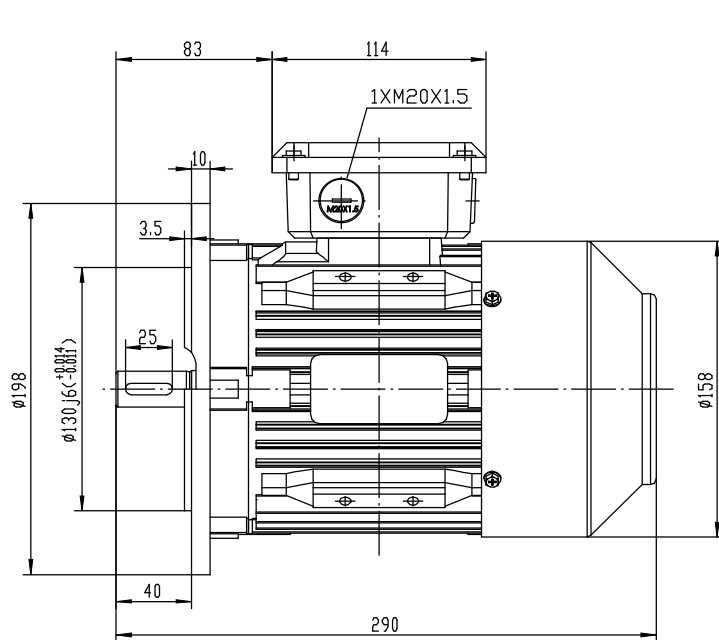
| | |
|---------------------|----------------|
| Power Factor (cos) | 0.81 |
| Tmin/Tn | 2.1 |
| Ist/In (Times) | 6 |
| Net Weight (Kg) | 14.5 |
| Housing material | Cast Iron |
| Insulation Class | F |
| Thermal Protection | PTC 140°C |
| Duty Cycle | S1 |
| Cooling | IC 411 |
| Ambient Temperature | -20°C to +40°C |
| Bearing Brand | NSK |
| Bearing (NDE) | 6204 2RS C3 |


Motors designed and manufactured in accordance with:

**IEC 60034
IEC 60038
IEC 60072
2014/30/EU (EMC)
2014/35/EU (LVD)
2011/65/EU (RoHS 2)**

www.tecmotors.co.uk

TEC Electric Motors Ltd. reserves the right to amend or change motor designs or data sheet information



| | | |
|-------------|------------|---|
| Drawn By | Date | TC 80 B5 |
| A442313 | 27/11/2017 | |
| Approved by | Date |  www.tecmotors.co.uk |
| L. Overton | 27/11/2017 | |
| Issue No = | Date | |
| BM01/A001 | 27/11/2017 | |