



# MOTOR DATA SHEET

**MOTOR PART CODE:**

**0.7543TECAB35R-IE3**

**FRAME SIZE:**

**802-4**

|                       | 50Hz        |
|-----------------------|-------------|
| Output (kW)           | 0.75        |
| Rotation Speed (rpm)  | 1440        |
| Voltage               | 230/400     |
| Full Load Current (A) | 3.29   1.9  |
| Full Load Torque (Nm) | 4.973958333 |

|                       | 60Hz       |
|-----------------------|------------|
| Output (kW)           | 0.9        |
| Rotation Speed (rpm)  | 1728       |
| Voltage               | 276   480  |
| Full Load Current (A) | 3.29   1.9 |
| Full Load Torque (Nm) | 4.14       |

## Efficiency Data

| 100% | 75%  | 50%  |
|------|------|------|
| 82.5 | 82.5 | 80.1 |

|                    |                |
|--------------------|----------------|
| Factory Reference  | T3A 802-4      |
| Tst/Tn (times)     | 3.1            |
| Tmax/Tn            | 3.1            |
| Noise (dB)         | 58             |
| Moment of inertia  | 0.002284565    |
| Type of feet       | Removable feet |
| Protection         | IP55           |
| Rotation Direction | F / R          |
| Cable Glands       | 1 - M20 × 1.5  |
| Paint Colour       | RAL 7024       |
| Efficiency         | IE3            |
| Bearing (DE)       | 6204 2RS C3    |

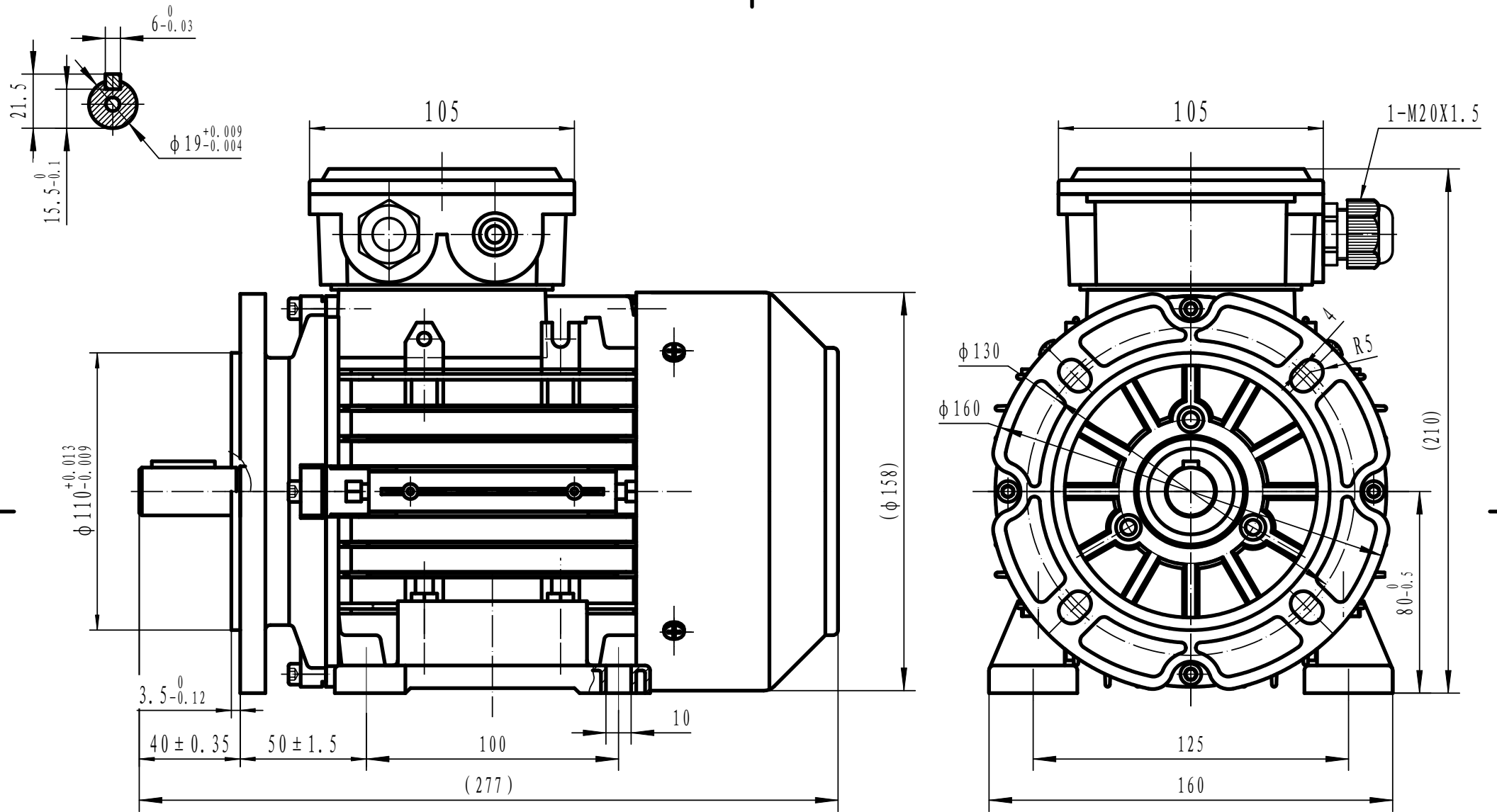
|                     |                |
|---------------------|----------------|
| Power Factor (cos)  | 0.69           |
| Tmin/Tn             | 2.5            |
| Ist/In (Times)      | 6.3            |
| Net Weight (Kg)     | 11.7           |
| Housing material    | Aluminum       |
| Insulation Class    | F              |
| Thermal Protection  | PTC 130°C      |
| Duty Cycle          | S1             |
| Cooling             | IC 411         |
| Ambient Temperature | -20°C to +40°C |
| Bearing Brand       | NSK            |
| Bearing (NDE)       | 6204 2RS C3    |

*Motors designed and manufactured in accordance with:*

**IEC 60034  
IEC 60038  
IEC 60072  
2014/30/EU (EMC)  
2014/35/EU (LVD)  
2011/65/EU (RoHS 2)**

[www.tecmotors.co.uk](http://www.tecmotors.co.uk)

TEC Electric Motors Ltd. reserves the right to amend or change motor designs or data sheet information



|             |            |
|-------------|------------|
| Drawn By    | Date       |
| TECHTOP     | 27/11/2017 |
| Approved by | Date       |
| L. Overton  | 27/11/2017 |
| Issue No =  | Date       |
| 001/A       | 27/11/2017 |

**TA80B35R**



www.tecmotors.co.uk