



MOTOR DATA SHEET

MOTOR PART CODE:

0.7543TECCB34-IE2

FRAME SIZE:

802-4

	50Hz
Output (kW)	0.75
Rotation Speed (rpm)	1420
Voltage	230/400
Full Load Current (A)	3.32/1.92
Full Load Torque (Nm)	5.04

	60Hz
Output (kW)	0.9
Rotation Speed (rpm)	1704
Voltage	276/480
Full Load Current (A)	3.32/1.92
Full Load Torque (Nm)	4.20

Efficiency Data

100%	75%	50%
79.6	79.8	77.5

Factory Reference	T2C 802-4
Tst/Tn (times)	2.5
Tmax/Tn	2.6
Noise (dB)	58
Moment of inertia	0.00128
Type of feet	Removable feet
Protection	IP55
Rotation Direction	F / R
Cable Glands	1 - M20× 1.5
Paint Colour	RAL 7024
Efficiency	IE2
Bearing (DE)	6204 2RS C3

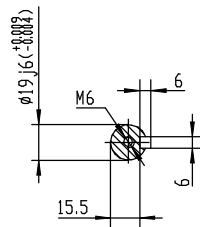
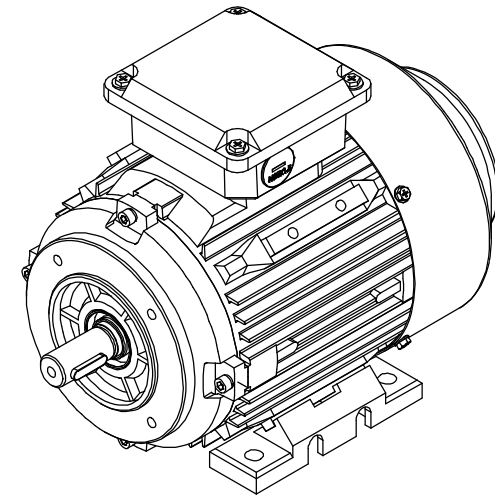
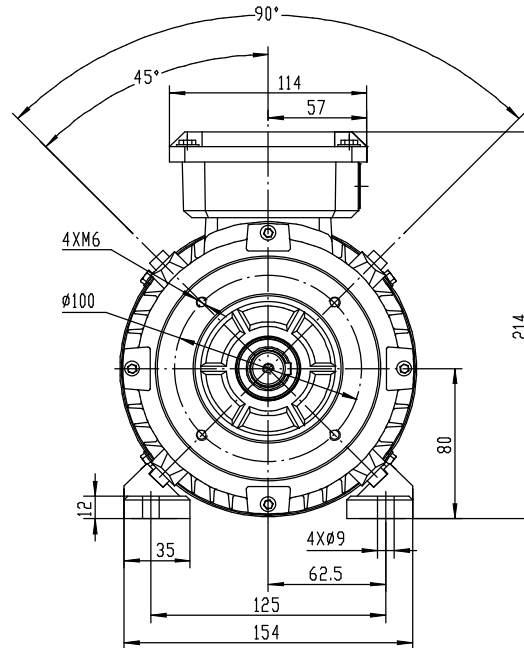
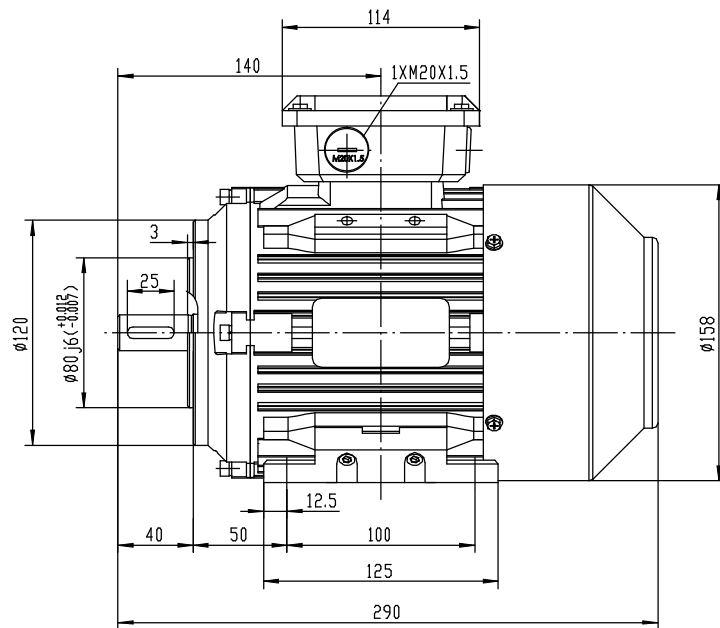
Power Factor (cos)	0.71
Tmin/Tn	2.1
Ist/In (Times)	5.7
Net Weight (Kg)	16
Housing material	Cast Iron
Insulation Class	F
Thermal Protection	PTC 140°C
Duty Cycle	S1
Cooling	IC 411
Ambient Temperature	-20°C to +40°C
Bearing Brand	NSK
Bearing (NDE)	6204 2RS C3

Motors designed and manufactured in accordance with:

IEC 60034
IEC 60038
IEC 60072
2014/30/EU (EMC)
2014/35/EU (LVD)
2011/65/EU (RoHS 2)

www.tecmotors.co.uk

TEC Electric Motors Ltd. reserves the right to amend or change motor designs or data sheet information



Drawn By	Date
A442313	27/11/2017
Approved by	Date
L. Overton	27/11/2017
Issue No =	Date
BM01/A001	27/11/2017

TC 80 B34

