



## MOTOR DATA SHEET

**MOTOR PART CODE:**

**0.7561TPCB34**

**FRAME SIZE:**

**90S-6**

**50Hz**

Output (kW)	0.75
Rotation Speed (rpm)	890
Voltage	230
Full Load Current (A)	4.93
Full Load Torque (Nm)	8.05

Factory Reference	MYT90S-6
Tst/Tn (times)	0.65
Tmax/Tn	1.5
Noise (dB)	70
Moment of inertia	0.003523374
Type of feet	Removable feet
Rotation Direction	F / R
Cooling	IC411
Standard	IEC60034
IP Rating	IP55
Allowed Radial Load (N)	926
Bearing (DE)	6205 2RZ C3

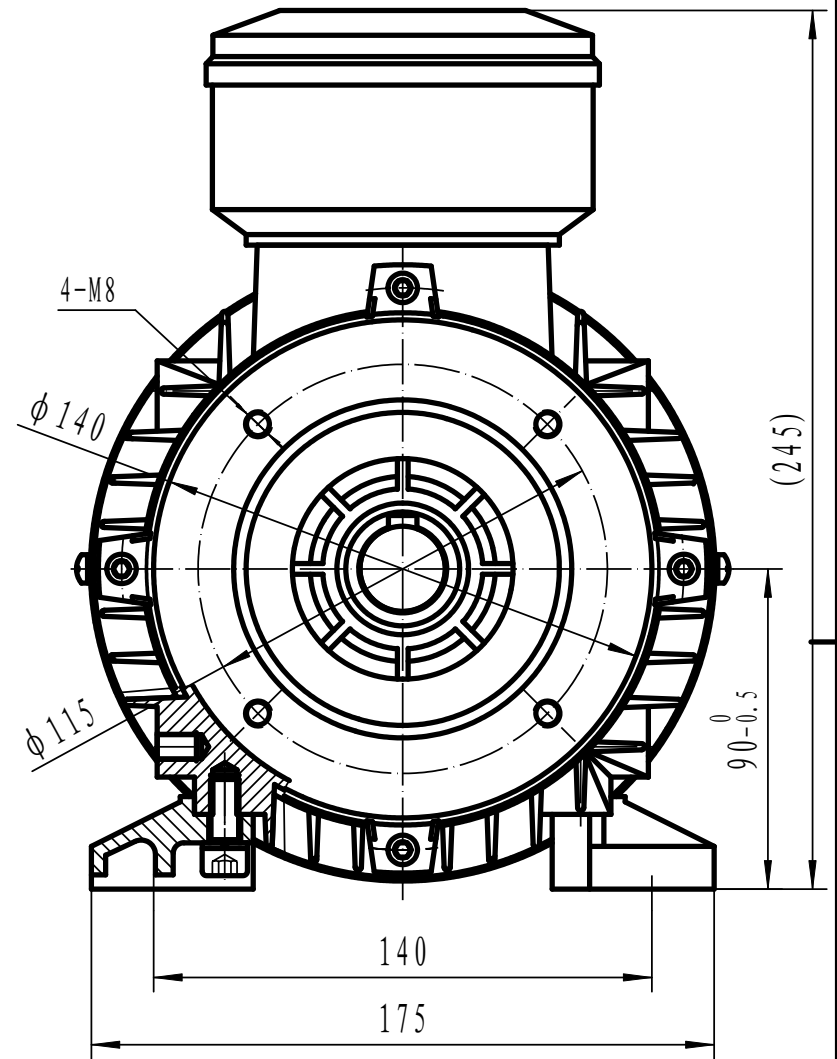
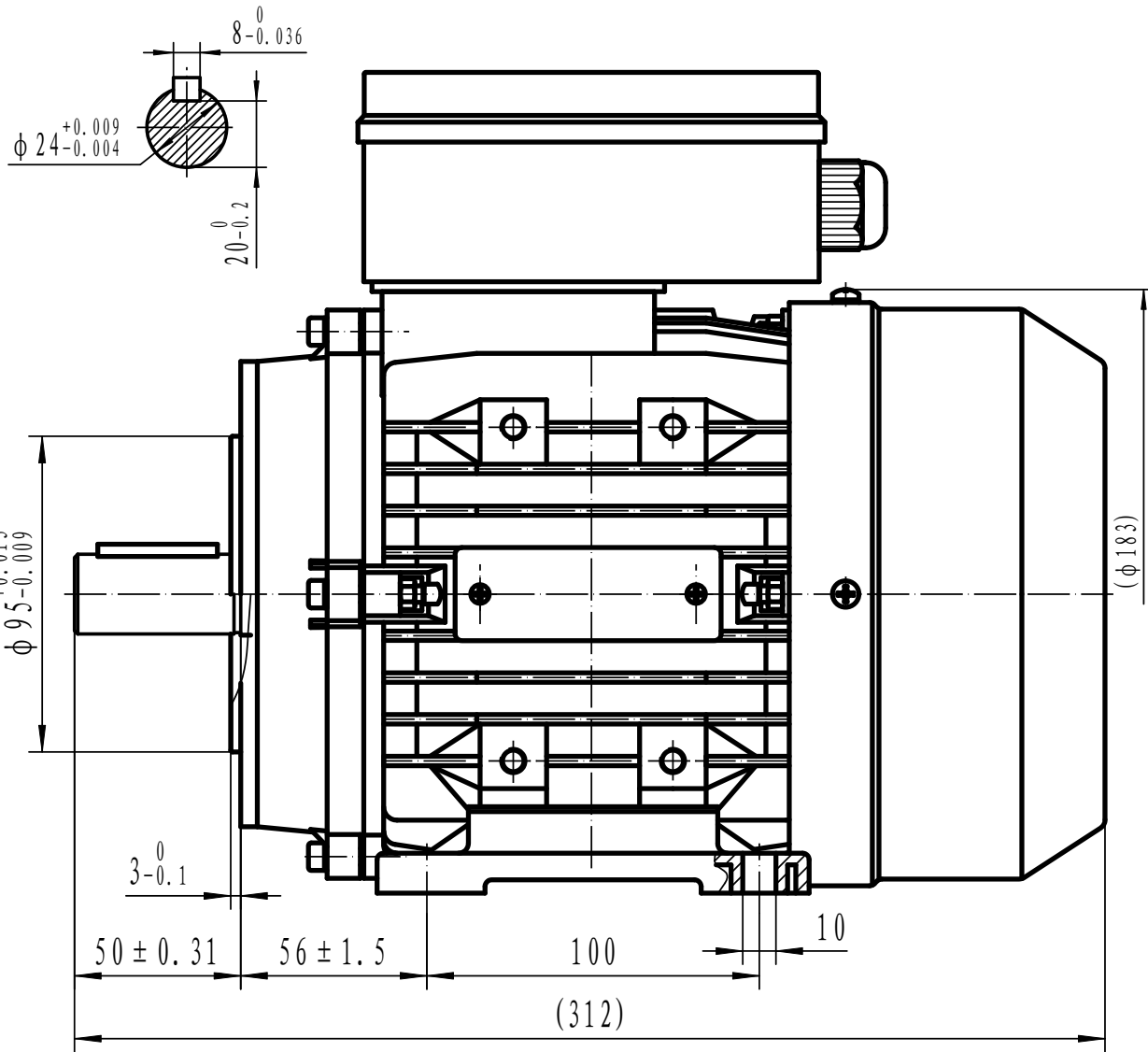
Power Factor (cos)	0.98
Tmin/Tn	0.63
Ist/In (Times)	2.4
Net Weight (Kg)	13.5
Housing material	Aluminum
Insulation Class	F
Duty Cycle	S1
Paint	RAL 7024
Ambient Temperature	-20°C to +40°
Starting Method	DOL
Allowed Axial Load (N)	802
Bearing (NDE)	6205 2RZ C3

*Motors designed and manufactured in accordance with:*

**IEC 60034**  
**IEC 60038**  
**IEC 60072**  
**2014/30/EU (EMC)**  
**2014/35/EU (LVD)**  
**2011/65/EU (RoHS 2)**

[www.tecmotors.co.uk](http://www.tecmotors.co.uk)

TEC Electric Motors Ltd. reserves the right to amend or change motor designs or data sheet information



Drawn By	Date
A442313	27/11/2017
Approved by	Date
L. Overton	27/11/2017
Issue No =	Date
TPC01/A001	27/11/2017

**TPC 90S B34**



www.tecmotors.co.uk