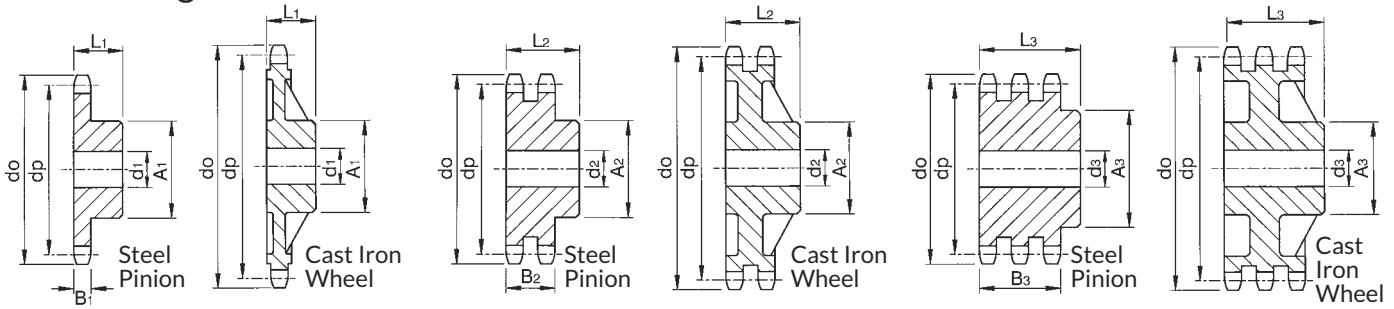


Standard Sprockets for 1/2" Pitch British Standard Chains Type 08B

Conforming to ISO Std 606



Simplex Sprockets Chain No. 08B-1

Pitch 12.7mm
Roller Dia. 8.51mm
Inside Width 7.75mm
Overall Width 18.3mm
Tooth Width B₁ 7.2mm

Duplex Sprockets Chain No. 08B-2

Pitch 12.7mm
Roller Dia. 8.51mm
Inside Width 7.75mm
Overall Width 32.1mm
Tooth Width B₂ 21.0mm

Triplex Sprockets Chain No. 08B-3

Pitch 12.7mm
Roller Dia. 8.51mm
Inside Width 7.75mm
Overall Width 46.1mm
Tooth Width B₃ 34.9mm

No. Teeth Z	Pitch Circle Ø dp	Outside Ø do	Simplex Sprocket					Duplex Sprocket					Triplex Sprocket							
			Cat. No.	Min. † Bore d ₁	Max. Bore d ₁	L.T.B. L ₁	Hub Ø A ₁	App. Weight kg	Cat. No.	Min. † Bore d ₂	Max. Bore d ₂	L.T.B. L ₂	Hub Ø A ₂	App. Weight kg	Cat. No.	Min. † Bore d ₃	Max. Bore d ₃	L.T.B. L ₃	Hub Ø A ₃	App. Weight kg
Steel Pinions																				
8	33.19	37.2	08B1-08	10	13	25	20	0.06	08B2-08	10	13	32	20	0.08	08B3-08	10	13	46	20	0.11
9	37.13	41.0	08B1-09	10	15	25	24	0.09	08B2-09	10	15	32	24	0.12	08B3-09	12	15	46	24	0.15
10	41.10	45.2	08B1-10	10	17	25	26	0.11	08B2-10	10	19	32	28	0.16	08B3-10	12	19	46	28	0.22
11	45.08	48.7	08B1-11	10	20	25	29	0.14	08B2-11	12	21	35	32	0.22	08B3-11	14	21	50	32	0.29
12	49.07	53.0	08B1-12	10	22	28	33	0.20	08B2-12	12	24	35	35	0.28	08B3-12	14	24	50	35	0.38
13	53.07	57.4	08B1-13	10	25	28	37	0.25	08B2-13	12	26	35	38	0.34	08B3-13	14	26	50	38	0.48
14	57.07	61.8	08B1-14	10	27	28	41	0.31	08B2-14	12	28	35	42	0.42	08B3-14	14	28	50	42	0.59
15	61.08	65.5	08B1-15	10	30	28	45	0.38	08B2-15	12	31	35	46	0.50	08B3-15	14	31	50	46	0.71
16	65.10	69.5	08B1-16	12	34	28	50	0.45	08B2-16	14	34	35	50	0.58	08B3-16	16	34	50	50	0.82
17	69.12	73.6	08B1-17	12	35	28	52	0.50	08B2-17	14	36	35	54	0.68	08B3-17	16	36	50	54	0.96
18	73.14	77.8	08B1-18	12	37	28	56	0.58	08B2-18	14	38	35	58	0.78	08B3-18	16	38	50	58	1.11
19	77.16	81.7	08B1-19	12	40	28	60	0.66	08B2-19	14	41	35	62	0.89	08B3-19	16	41	50	62	1.26
20	81.18	85.8	08B1-20	12	43	28	64	0.75	08B2-20	14	44	35	66	1.01	08B3-20	16	44	50	66	1.43
21	85.21	89.7	08B1-21	12	45	28	68	0.84	08B2-21	16	46	40	70	1.26	08B3-21	20	46	55	70	1.70
22	89.24	93.8	08B1-22	12	46	28	70	0.91	08B2-22	16	46	40	70	1.35	08B3-22	20	46	55	70	1.84
23	93.27	98.2	08B1-23	14	46	28	70	0.93	08B2-23	16	46	40	70	1.44	08B3-23	20	46	55	70	2.00
24	97.30	101.8	08B1-24	14	46	28	70	0.96	08B2-24	16	50	40	75	1.61	08B3-24	20	50	55	75	2.23
25	101.33	105.8	08B1-25	14	46	28	70	0.99	08B2-25	16	54	40	80	1.79	08B3-25	20	54	55	80	2.48
26	105.36	110.0	08B1-26	16	46	30	70	1.08	08B2-26	20	57	40	85	1.96	08B3-26	20	57	55	85	2.75
27	109.40	114.0	08B1-27	16	46	30	70	1.11	08B2-27	20	57	40	85	2.06	08B3-27	20	57	55	85	2.92
28	113.43	118.0	08B1-28	16	46	30	70	1.15	08B2-28	20	60	40	90	2.27	08B3-28	20	60	55	90	3.20
29	117.46	122.0	08B1-29	16	54	30	80	1.40	08B2-29	20	63	40	95	2.49	08B3-29	20	63	55	95	3.50
30	121.50	126.1	08B1-30	16	54	30	80	1.44	08B2-30	20	67	40	100	2.72	08B3-30	20	67	55	100	3.82
31	125.53	130.2	08B1-31	16	60	30	90	1.72	08B2-31	20	67	40	100	2.84	08B3-31	20	74	55	110	4.27
32	129.57	134.3	08B1-32	16	60	30	90	1.77	08B2-32	20	67	40	100	2.97	08B3-32	20	74	55	110	4.48
33	133.61	138.4	08B1-33	16	60	30	90	1.81	08B2-33	20	67	40	100	3.11	08B3-33	20	74	55	110	4.70
34	137.64	142.6	08B1-34	16	60	30	90	1.86	08B2-34	20	67	40	100	3.24	08B3-34	20	74	55	110	4.93
35	141.68	146.7	08B1-35	16	60	30	90	1.91	08B2-35	20	67	40	100	3.39	08B3-35	20	74	55	110	5.17
36	145.72	151.0	08B1-36	16	60	35	90	2.21	08B2-36	20	74	40	110	3.78	08B3-36	25	80	55	120	5.61
37	149.75	154.6	08B1-37	16	60	35	90	2.25	08B2-37	20	74	40	110	3.91	08B3-37	25	80	55	120	5.84
38	153.79	158.6	08B1-38	16	60	35	90	2.30	08B2-38	20	74	40	110	4.07	08B3-38	25	80	55	120	6.09
39	157.83	162.7	08B1-39	16	60	35	90	2.36	08B2-39	20	74	40	110	4.22	08B3-39	25	80	55	120	6.36
40	161.87	166.8	08B1-40	16	60	35	90	2.41	08B2-40	20	74	40	110	4.39	08B3-40	25	80	55	120	6.63
42	169.94	175.4	08B1-42	20	59	42	*88	2.76	08B2-42	20	72	55	*108	5.73						
45	182.06	188.0	08B1-45	20	59	42	*88	2.95	08B2-45	20	72	55	*108	6.28	08B3-45	25	80	68	*120	9.2
46	186.10	192.1	08B1-46	20	59	42	*88	3.02	08B2-46	20	72	55	*108	6.47						
48	194.18	200.3	08B1-48	20	59	42	*88	3.15	08B2-48	20	72	55	*108	6.87						
50	202.26	208.3	08B1-50	20	59	42	*88	3.29	08B2-50	20	72	55	*108	7.27	08B3-50	25	80	68	*120	10.9
55	222.46	228.1	08B1-55	20	59	42	*88	3.66												
57	230.54	236.4	08B1-57	20	59	42	*88	3.82	08B2-57	25	72	55	*108	8.8	08B3-57	25	80	68	*120	13.4
60	242.66	248.6	08B1-60	20	59	42	*88	4.07	08B2-60	25	72	55	*108	9.6	08B3-60	25	80	68	*120	14.7
76	307.32	313.3	08B1-76	25	59	42	*88	5.56	08B2-76	25	72	55	*108	14.0	08B3-76	25	80	68	*120	22.2
95	384.11	390.1	08B1-95	25	72	42	*108	8.73	08B2-95	25	80	55	*120	21.5	08B3-95	25	80	68	*136	33.6
Cast Iron Wheels																				
38	153.79	158.6	08B1-38C	19	42	40	70	1.8	08B2-38C	23	54	50	90	3.1	08B3-38C	23	60	60	100	4.8
45	182.06	188.0	08B1-45C	19	42	40	70	2.0	08B2-45C	23	54	50	90	3.8	08B3-45C	23	60	60	100	5.5
57	230.54	236.4	08B1-57C	19	42	40	70	2.4	08B2-57C	23	54	50	90	4.4	08B3-57C	23	60	60	100	6.7
76	307.32	313.3	08B1-76C	23	48	40	80	4.1	08B2-76C	23	60	56	100	6.4	08B3-76C	23	60	60	100	8.2
95	384.11	390.1	08B1-95C	23	48	45	80	5.4	08B2-95C	23	60	56	100	8.8	08B3-95C	23	72	67	120	12.8
114	460.91	466.9	08B1-114	23	54	45	80	7.1	08B2-114	23	60	63	100	10.8	08B3-114	23	72	67	120	16.5

Pinions 8 to 40 teeth in Steel with min. U.T.S. 600N/mm², which can be supplied with induction hardened teeth to 45Rc. Pinions above 40 teeth are in Steel with min 410N/mm². All Standard Stock Sprockets can be reworked to customers required bore, keyway, and setscrew requirements, on a 48 hour service.

All dimensions in mm.

† Min. tolerated bore which can be machined in sprocket.

* Sprockets with an asterisk on the hub diameter may be fabricated construction.