



MOTOR DATA SHEET

MOTOR PART CODE:

11.043TECCB5-IE2

FRAME SIZE:

160M-4

	50Hz
Output (kW)	11
Rotation Speed (rpm)	1440
Voltage	400/690
Full Load Current (A)	21.3/12.3
Full Load Torque (Nm)	72.95

	60Hz
Output (kW)	13.2
Rotation Speed (rpm)	1728
Voltage	480/828
Full Load Current (A)	21.3/12.3
Full Load Torque (Nm)	60.79

Efficiency Data

100%	75%	50%
89.8	91.7	91

Factory Reference	T2C 160M-4
Tst/Tn (times)	2.5
Tmax/Tn	2.5
Noise (dB)	75
Moment of inertia	0.0867
Type of feet	Not fitted
Protection	IP55
Rotation Direction	F / R
Cable Glands	2 - M32× 1.5
Paint Colour	RAL 7024
Efficiency	IE2
Bearing (DE)	6309 C3

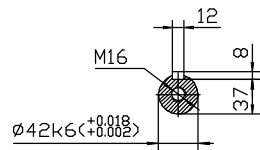
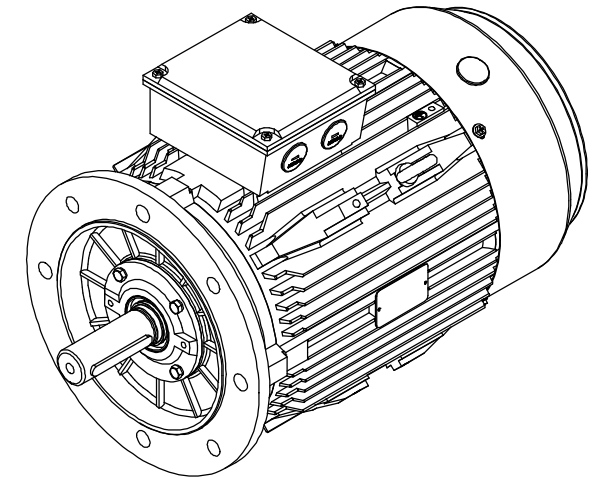
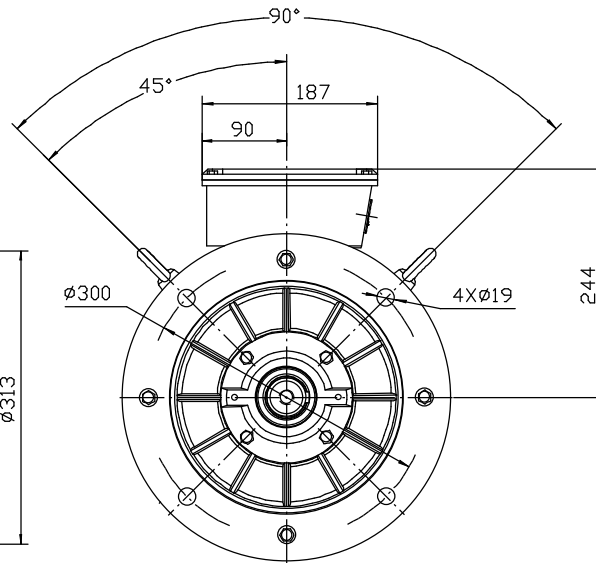
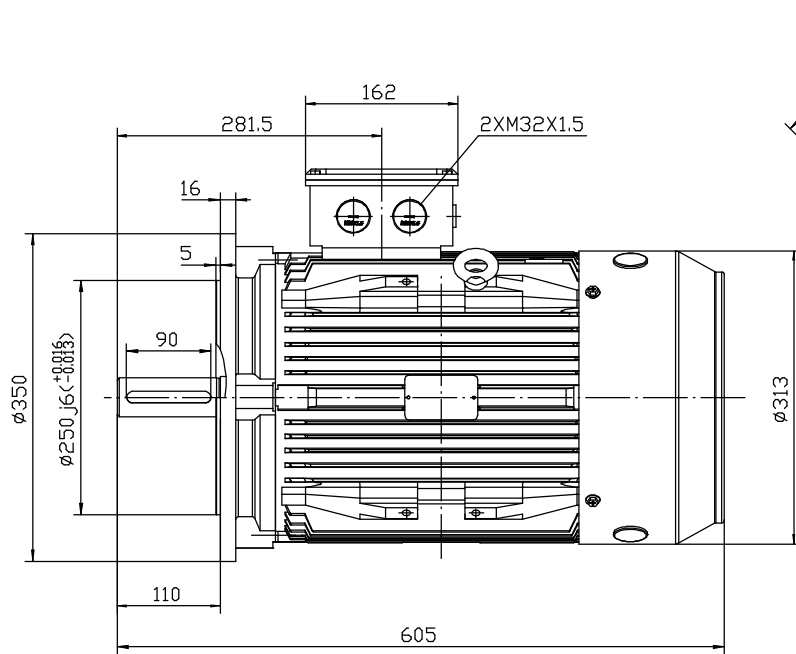
Power Factor (cos)	0.83
Tmin/Tn	1.6
Ist/In (Times)	7.1
Net Weight (Kg)	119
Housing material	Cast Iron
Insulation Class	F
Thermal Protection	PTC 140°C
Duty Cycle	S1
Cooling	IC 411
Ambient Temperature	-20°C to +40°C
Bearing Brand	NSK
Bearing (NDE)	6309 C3

Motors designed and manufactured in accordance with:


**IEC 60034
IEC 60038
IEC 60072
2014/30/EU (EMC)
2014/35/EU (LVD)
2011/65/EU (RoHS 2)**

www.tecmotors.co.uk

TEC Electric Motors Ltd. reserves the right to amend or change motor designs or data sheet information



TC 160M B5

Drawn By	Date	TC 160 B5
A442313	27/11/2017	
Approved by	Date	 www.tecmotors.co.uk
L. Overton	27/11/2017	
Issue No =	Date	
BM01/A001	27/11/2017	