



# MOTOR DATA SHEET

**MOTOR PART CODE:**

**1.141TPCB34B**

**FRAME SIZE:**

**90S-4**

**50Hz**

Output (kW)	1.1
Rotation Speed (rpm)	1355
Voltage	230
Full Load Current (A)	6.94
Full Load Torque (Nm)	7.75

Factory Reference	MYT90S-4
Tst/Tn (times)	0.68
Tmax/Tn	1.8
Noise (dB)	75
Moment of inertia	0.002743398
Type of feet	Removable feet
Rotation Direction	F / R
Cooling	IC411
Standard	IEC60034
IP Rating	IP55
Allowed Radial Load (N)	812
Bearing (DE)	6205 2RZ C3

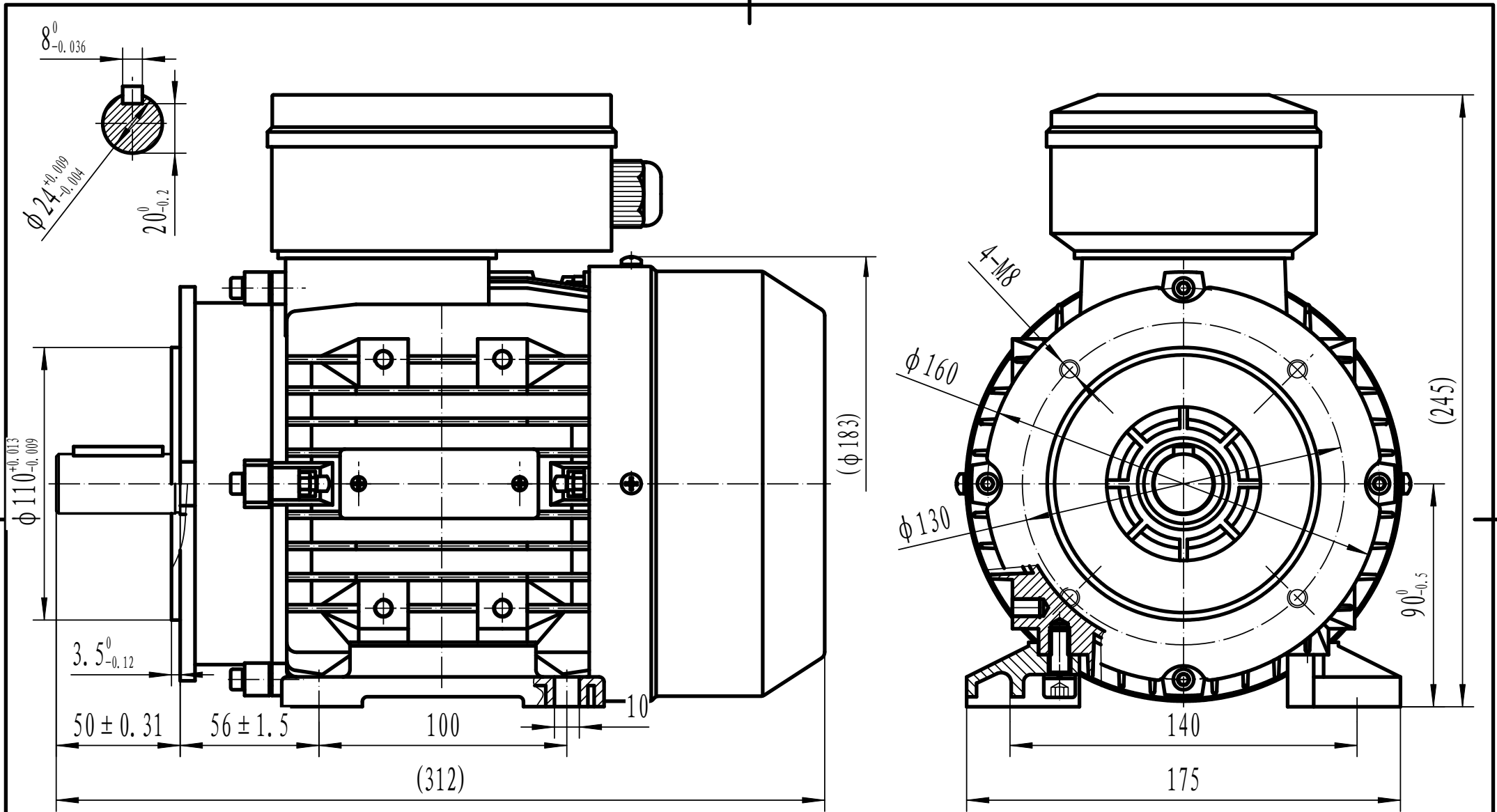
Power Factor (cos)	0.95
Tmin/Tn	0.72
Ist/In (Times)	3.3
Net Weight (Kg)	14.4
Housing material	Aluminum
Insulation Class	F
Duty Cycle	S1
Paint	RAL 7024
Ambient Temperature	-20°C to +40°
Starting Method	DOL
Allowed Axial Load (N)	672
Bearing (NDE)	6205 2RZ C3

*Motors designed and manufactured in accordance with:*

**IEC 60034  
IEC 60038  
IEC 60072  
2014/30/EU (EMC)  
2014/35/EU (LVD)  
2011/65/EU (RoHS 2)**

[www.tecmotors.co.uk](http://www.tecmotors.co.uk)

TEC Electric Motors Ltd. reserves the right to amend or change motor designs or data sheet information



Drawn By	Date
A442313	27/11/2017
Approved by	Date
L. Overton	27/11/2017
Issue No =	Date
TPC01/A001	27/11/2017

**TPC 90S B34B**

