



# MOTOR DATA SHEET

**MOTOR PART CODE:**

**1.143TECAB14-IE3**

**FRAME SIZE:**

**90S-4**

|                       | 50Hz        |
|-----------------------|-------------|
| Output (kW)           | 1.1         |
| Rotation Speed (rpm)  | 1440        |
| Voltage               | 230/400     |
| Full Load Current (A) | 4.48   2.59 |
| Full Load Torque (Nm) | 7.295138889 |

|                       | 60Hz        |
|-----------------------|-------------|
| Output (kW)           | 1.32        |
| Rotation Speed (rpm)  | 1728        |
| Voltage               | 276   480   |
| Full Load Current (A) | 4.48   2.59 |
| Full Load Torque (Nm) | 6.08        |

## Efficiency Data

| 100% | 75%  | 50%  |
|------|------|------|
| 84.1 | 84.2 | 82.9 |

|                    |               |
|--------------------|---------------|
| Factory Reference  | T3A 90S-4     |
| Tst/Tn (times)     | 4             |
| Tmax/Tn            | 3.4           |
| Noise (dB)         | 61            |
| Moment of inertia  | 0.003841812   |
| Type of feet       | Not Fitted    |
| Protection         | IP55          |
| Rotation Direction | F / R         |
| Cable Glands       | 1 - M20 × 1.5 |
| Paint Colour       | RAL 7024      |
| Efficiency         | IE3           |
| Bearing (DE)       | 6205 2RS C3   |

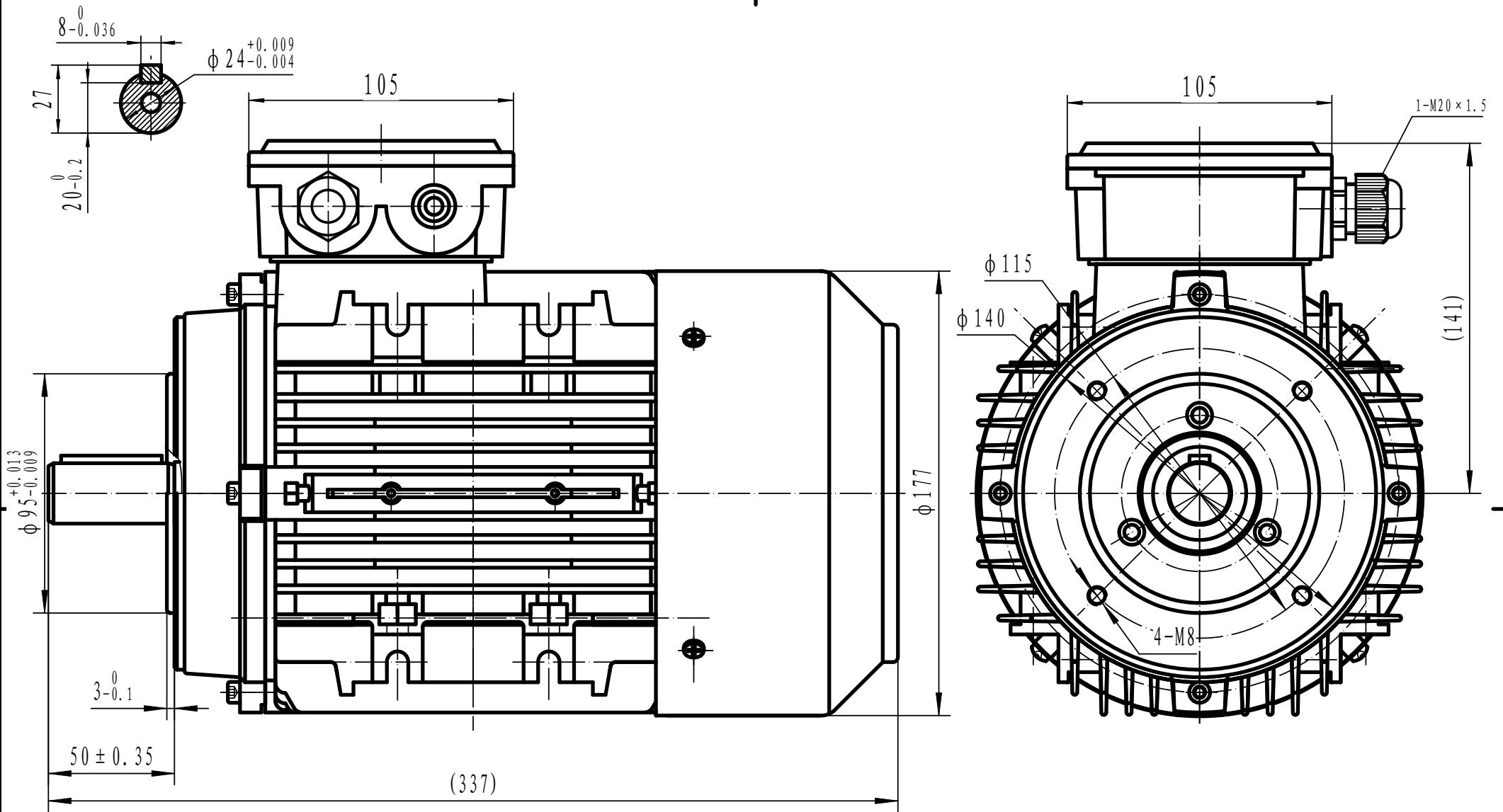
|                     |                |
|---------------------|----------------|
| Power Factor (cos)  | 0.73           |
| Tmin/Tn             | 2.5            |
| Ist/In (Times)      | 7.1            |
| Net Weight (Kg)     | 15.1           |
| Housing material    | Aluminum       |
| Insulation Class    | F              |
| Thermal Protection  | PTC 130°C      |
| Duty Cycle          | S1             |
| Cooling             | IC 411         |
| Ambient Temperature | -20°C to +40°C |
| Bearing Brand       | NSK            |
| Bearing (NDE)       | 6205 2RS C3    |


*Motors designed and manufactured in accordance with:*

**IEC 60034  
IEC 60038  
IEC 60072  
2014/30/EU (EMC)  
2014/35/EU (LVD)  
2011/65/EU (RoHS 2)**

[www.tecmotors.co.uk](http://www.tecmotors.co.uk)

TEC Electric Motors Ltd. reserves the right to amend or change motor designs or data sheet information



|             |            |   |
|-------------|------------|---|
| Drawn By    | Date       | <b>TA90LB14</b>   |
| TECHTOP     | 27/11/2017 |   |
| Approved by | Date       | <br><a href="http://www.tecmotors.co.uk">www.tecmotors.co.uk</a> |
| L. Overton  | 27/11/2017 |   |
| Issue No =  | Date       |   |
| 001/A       | 27/11/2017 |   |