



MOTOR DATA SHEET

MOTOR PART CODE:

1.143TECCB3-IE3

FRAME SIZE:

90S-4

	50Hz
Output (kW)	1.1
Rotation Speed (rpm)	1430
Voltage	230/400
Full Load Current (A)	4.54 2.62
Full Load Torque (Nm)	7.35

	60Hz
Output (kW)	1.32
Rotation Speed (rpm)	1716
Voltage	276 480
Full Load Current (A)	4.54 2.62
Full Load Torque (Nm)	6.13

Efficiency Data

100%	75%	50%
84.1	84.6	83.2

Factory Reference	T3C 90S-4
Tst/Tn (times)	2.8
Tmax/Tn	2.8
Noise (dB)	61
Moment of inertia	0.00372
Type of feet	Removable feet
Protection	IP55
Rotation Direction	F / R
Cable Glands	1 - M20× 1.5
Paint Colour	RAL 7024
Efficiency	IE3
Bearing (DE)	6205 2RS C3

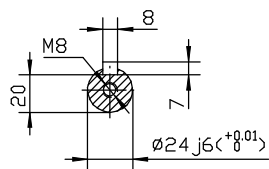
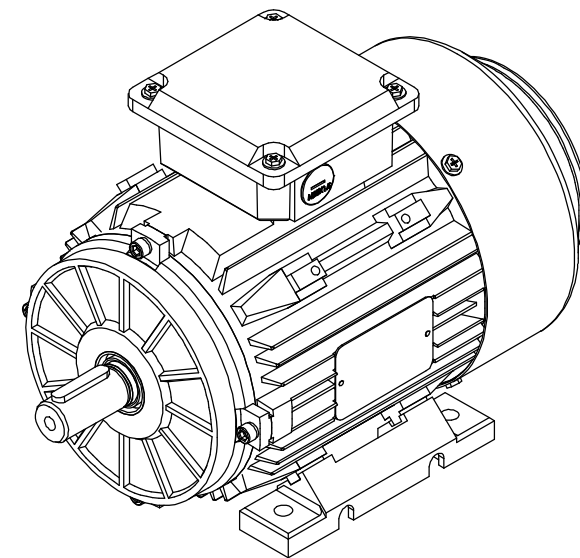
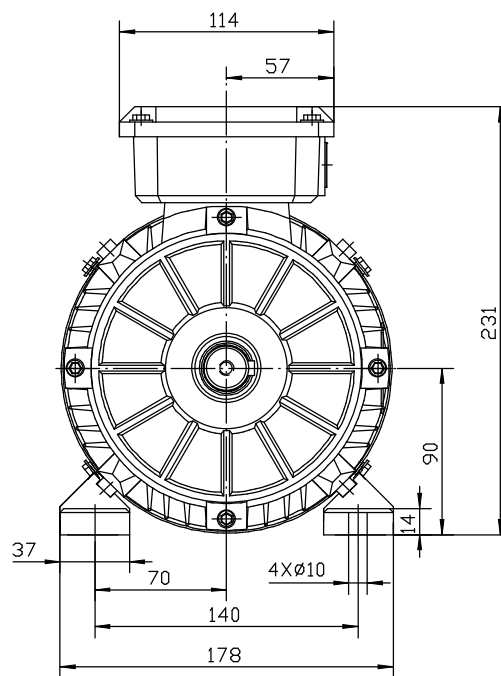
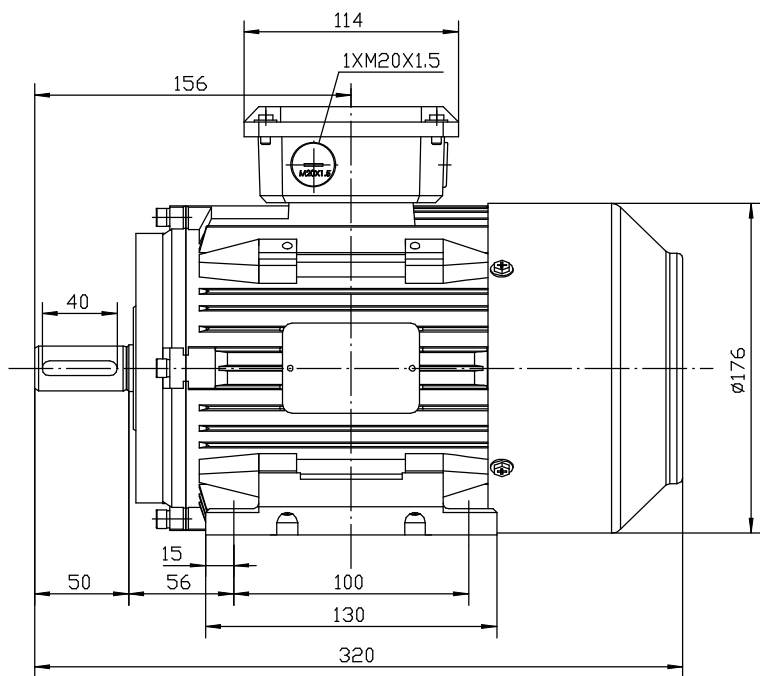
Power Factor (cos)	0.72
Tmin/Tn	2.2
Ist/In (Times)	6.8
Net Weight (Kg)	23
Housing material	Cast Iron
Insulation Class	F
Thermal Protection	PTC 140°C
Duty Cycle	S1
Cooling	IC411
Ambient Temperature	-20°C to +40°C
Bearing Brand	NSK
Bearing (NDE)	6205 2RS C3

Motors designed and manufactured in accordance with:

**IEC 60034
IEC 60038
IEC 60072
2014/30/EU (EMC)
2014/35/EU (LVD)
2011/65/EU (RoHS 2)**

www.tecmotors.co.uk

TEC Electric Motors Ltd. reserves the right to amend or change motor designs or data sheet information



				TC90S B3外形图		铸铁三相异步电动机			
						1HMY.010.T007B			
标记	页数	更改文件号	签名	日期					
设计		标准化							
制图	YangHM								
审核		批准							
工艺		日期	2012.05.14		上联川也电机有限公司				
					阶段	标记	比例	共	张
							1:2	第	张