



MOTOR DATA SHEET

MOTOR PART CODE:

1.161TPCB14

FRAME SIZE:

90L6

50Hz

Output (kW)	1.1
Rotation Speed (rpm)	905
Voltage	230
Full Load Current (A)	7.15
Full Load Torque (Nm)	11.61

Factory Reference	MYT90L6
Tst/Tn (times)	0.55
Tmax/Tn	1.7
Noise (dB)	70
Moment of inertia	0.004957281
Type of feet	Not Fitted
Rotation Direction	F / R
Cooling	IC411
Standard	IEC60034
IP Rating	IP55
Allowed Radial Load (N)	947
Bearing (DE)	6205 2RZ C3

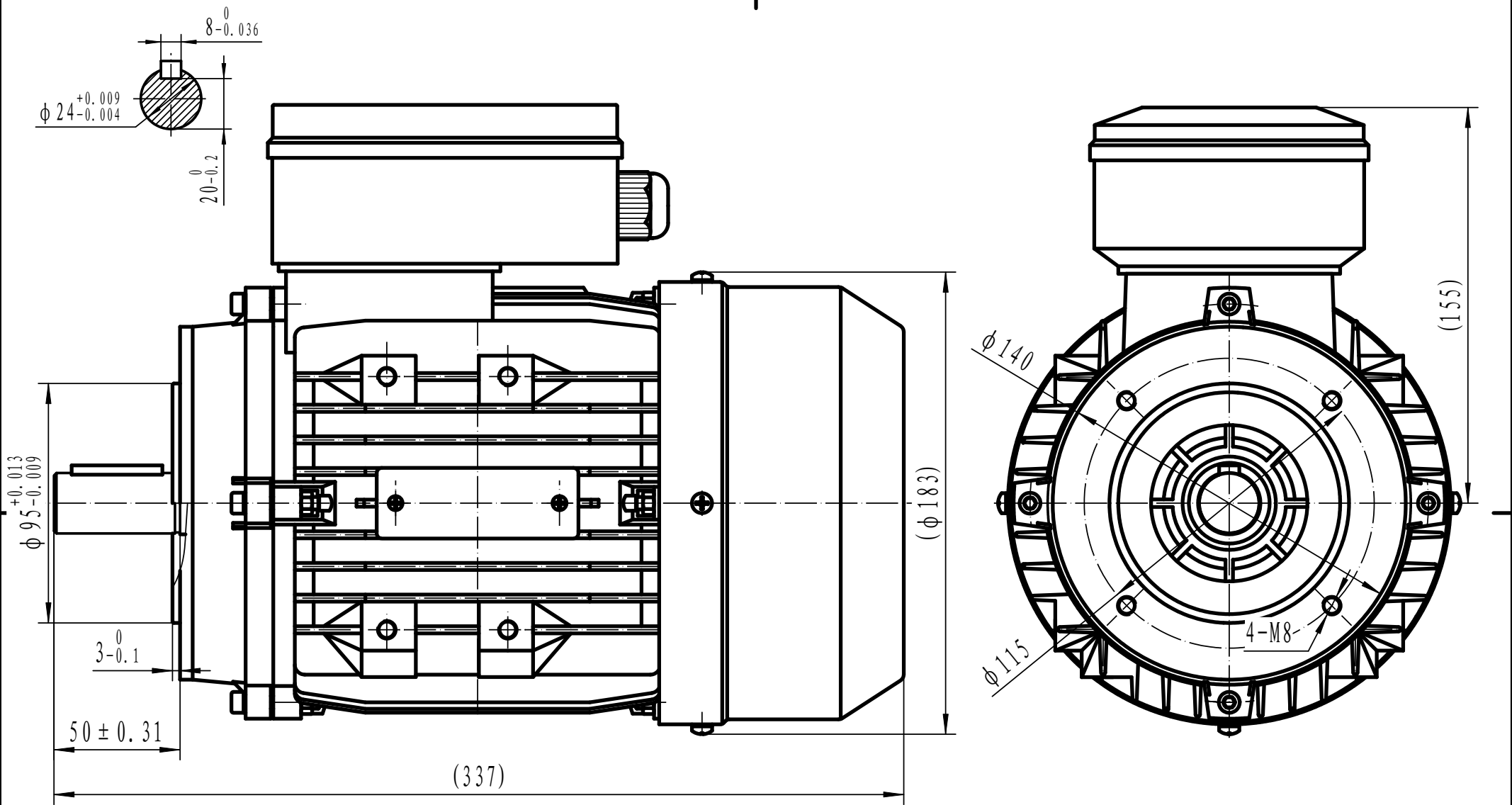
Power Factor (cos)	0.97
Tmin/Tn	0.59
Ist/In (Times)	3
Net Weight (Kg)	16.2
Housing material	Aluminum
Insulation Class	F
Duty Cycle	S1
Paint	RAL 7024
Ambient Temperature	-20°C to +40°
Starting Method	DOL
Allowed Axial Load (N)	798
Bearing (NDE)	6205 2RZ C3

Motors designed and manufactured in accordance with:

IEC 60034
IEC 60038
IEC 60072
2014/30/EU (EMC)
2014/35/EU (LVD)
2011/65/EU (RoHS 2)

www.tecmotors.co.uk

TEC Electric Motors Ltd. reserves the right to amend or change motor designs or data sheet information



										上海特波电机有限公司		
										MY90L1 B14外形图		
标记	处数	分区	更改文件号	签名	年、月、日	阶段标记		重量	比例	1:1.5		
设计			标准化							1ST005.060.004		
审核										共 张 第 张		
工艺			批准									