



MOTOR DATA SHEET

MOTOR PART CODE:

1.163TECAB5R-IE2

FRAME SIZE:

90L-6

	50Hz
Output (kW)	1.1
Rotation Speed (rpm)	940
Voltage	230/400
Full Load Current (A)	5.1 2.95
Full Load Torque (Nm)	11.17553191

	60Hz
Output (kW)	1.32
Rotation Speed (rpm)	1128
Voltage	276 480
Full Load Current (A)	5.1 2.95
Full Load Torque (Nm)	9.31

Efficiency Data

100%	75%	50%
78.1	78.7	76.4

Factory Reference	MS2 90L-6
Tst/Tn (times)	2.7
Tmax/Tn	2.7
Noise (dB)	59
Moment of inertia	0.004804581
Type of feet	Not Fitted
Protection	IP55
Rotation Direction	F / R
Cable Glands	1 - M20 × 1.5
Paint Colour	RAL 7024
Efficiency	IE2
Bearing (DE)	6205 2RS C3

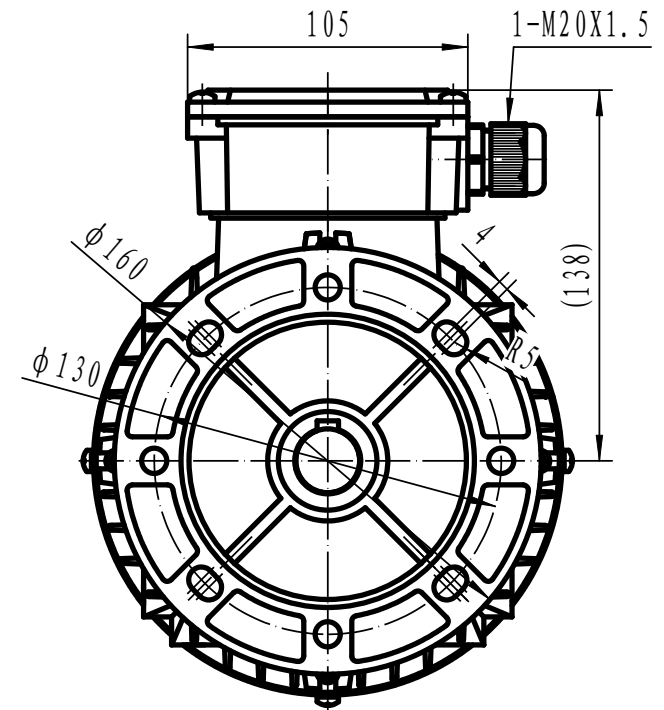
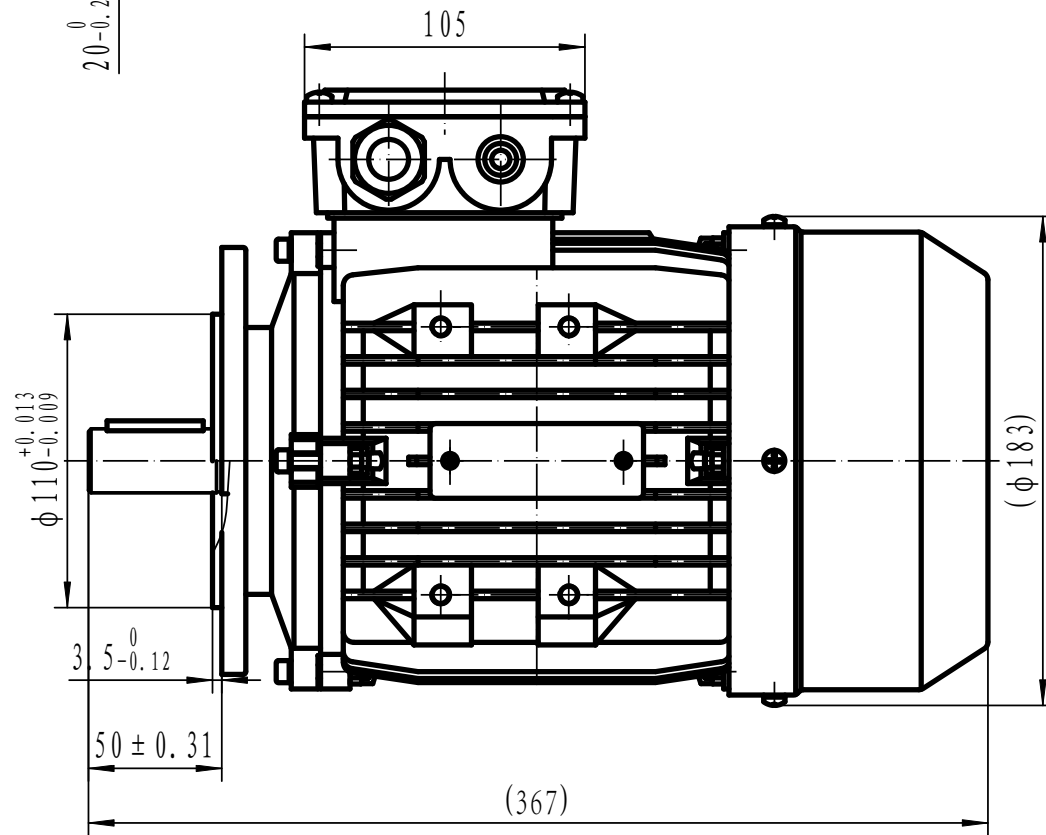
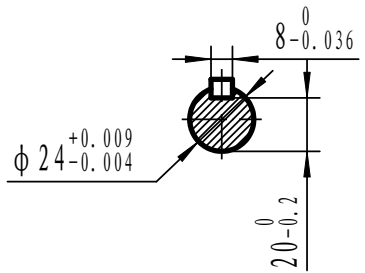
Power Factor (cos)	0.69
Tmin/Tn	2.3
Ist/In (Times)	5
Net Weight (Kg)	16.4
Housing material	Aluminum
Insulation Class	F
Thermal Protection	PTC 130°C
Duty Cycle	S1
Cooling	IC411
Ambient Temperature	-20°C to + 40°C
Bearing Brand	NSK
Bearing (NDE)	6205 2RS C3

Motors designed and manufactured in accordance with:

**IEC 60034
IEC 60038
IEC 60072
2014/30/EU (EMC)
2014/35/EU (LVD)
2011/65/EU (RoHS 2)**

www.tecmotors.co.uk

TEC Electric Motors Ltd. reserves the right to amend or change motor designs or data sheet information



Drawn By	Date	TECA 90L B5R
TECHTOP	27/11/2017	
Approved by	Date	 www.tecmotors.co.uk
L. Overton	27/11/2017	
Issue No =	Date	
001/A	27/11/2017	