



MOTOR DATA SHEET

MOTOR PART CODE:

1.543TECCB35-IE3

FRAME SIZE:

90L-4

| | 50Hz |
|-----------------------|-------------|
| Output (kW) | 1.5 |
| Rotation Speed (rpm) | 1430 |
| Voltage | 230/400 |
| Full Load Current (A) | 6.28 3.63 |
| Full Load Torque (Nm) | 10.02 |

| | 60Hz |
|-----------------------|-------------|
| Output (kW) | 1.8 |
| Rotation Speed (rpm) | 1716 |
| Voltage | 276 480 |
| Full Load Current (A) | 6.28 3.63 |
| Full Load Torque (Nm) | 8.35 |

Efficiency Data

| 100% | 75% | 50% |
|------|------|------|
| 85.3 | 86.1 | 85.2 |

| | |
|--------------------|----------------|
| Factory Reference | T3C 90L-4 |
| Tst/Tn (times) | 2.8 |
| Tmax/Tn | 3 |
| Noise (dB) | 61 |
| Moment of inertia | 0.00469 |
| Type of feet | Removable feet |
| Protection | IP55 |
| Rotation Direction | F / R |
| Cable Glands | 1 - M20× 1.5 |
| Paint Colour | RAL 7024 |
| Efficiency | IE3 |
| Bearing (DE) | 6205 2RS C3 |

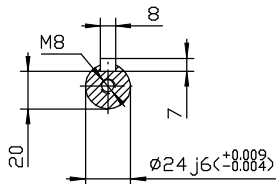
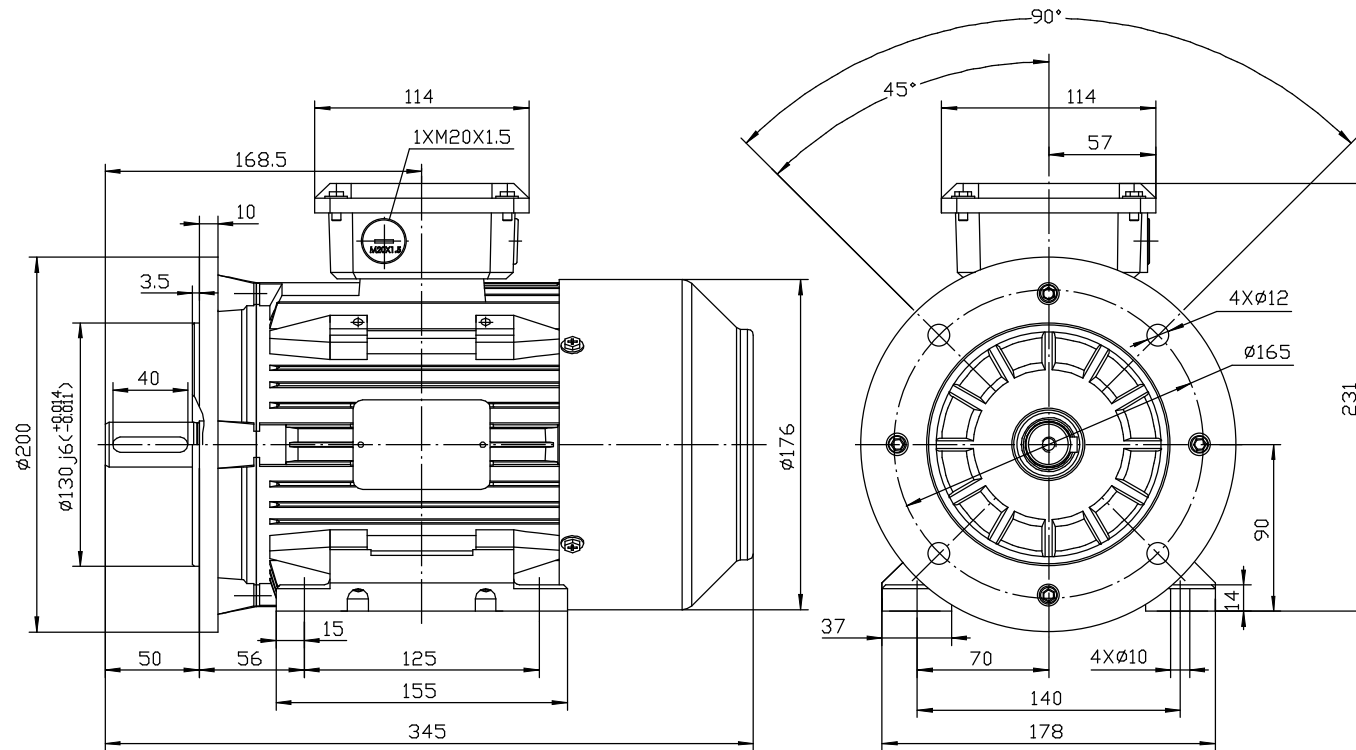
| | |
|---------------------|----------------|
| Power Factor (cos) | 0.7 |
| Tmin/Tn | 2.2 |
| Ist/In (Times) | 7.3 |
| Net Weight (Kg) | 26.3 |
| Housing material | Cast Iron |
| Insulation Class | F |
| Thermal Protection | PTC 140°C |
| Duty Cycle | S1 |
| Cooling | IC411 |
| Ambient Temperature | -20°C to +40°C |
| Bearing Brand | NSK |
| Bearing (NDE) | 6205 2RS C3 |

Motors designed and manufactured in accordance with:

**IEC 60034
IEC 60038
IEC 60072
2014/30/EU (EMC)
2014/35/EU (LVD)
2011/65/EU (RoHS 2)**

www.tecmotors.co.uk

TEC Electric Motors Ltd. reserves the right to amend or change motor designs or data sheet information



| | |
|-------------|------------|
| Drawn By | Date |
| A442313 | 27/11/2017 |
| Approved by | Date |
| L. Overton | 27/11/2017 |
| Issue No = | Date |
| BM01/A001 | 27/11/2017 |

TC 90L B35



www.tecmotors.co.uk