



# MOTOR DATA SHEET

**MOTOR PART CODE:**

**1.563TECCB5-IE2**

**FRAME SIZE:**

**100L-6**

|                       | 50Hz      |
|-----------------------|-----------|
| Output (kW)           | 1.5       |
| Rotation Speed (rpm)  | 940       |
| Voltage               | 230/400   |
| Full Load Current (A) | 6.44/3.72 |
| Full Load Torque (Nm) | 15.24     |

|                       | 60Hz      |
|-----------------------|-----------|
| Output (kW)           | 1.8       |
| Rotation Speed (rpm)  | 1128      |
| Voltage               | 276/480   |
| Full Load Current (A) | 6.44/3.72 |
| Full Load Torque (Nm) | 12.70     |

## Efficiency Data

| 100% | 75%  | 50%  |
|------|------|------|
| 79.8 | 80.2 | 78.3 |

|                    |              |
|--------------------|--------------|
| Factory Reference  | T2C 100L-6   |
| Tst/Tn (times)     | 1.6          |
| Tmax/Tn            | 2.2          |
| Noise (dB)         | 61           |
| Moment of inertia  | 0.00877      |
| Type of feet       | Not fitted   |
| Protection         | IP55         |
| Rotation Direction | F / R        |
| Cable Glands       | 1 - M20× 1.5 |
| Paint Colour       | RAL 7024     |
| Efficiency         | IE2          |
| Bearing (DE)       | 6206 2RS C3  |

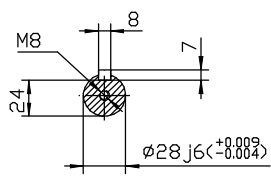
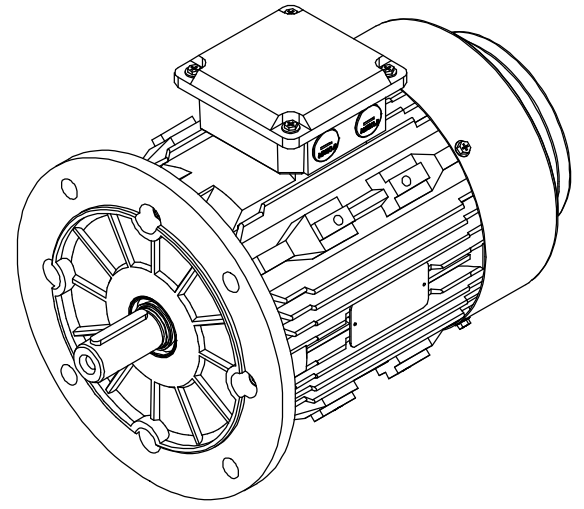
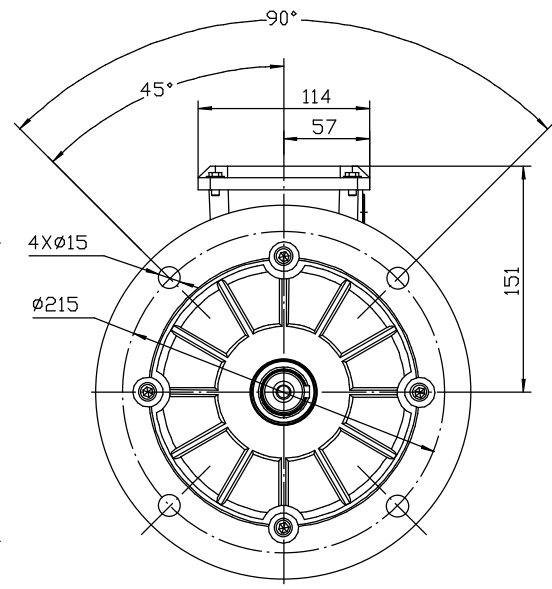
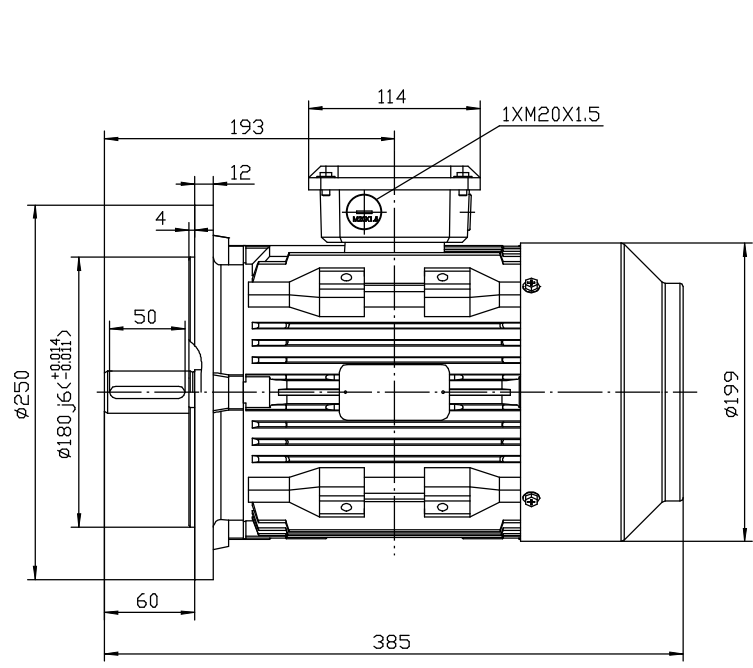
|                     |                |
|---------------------|----------------|
| Power Factor (cos)  | 0.73           |
| Tmin/Tn             | 1.6            |
| Ist/In (Times)      | 5              |
| Net Weight (Kg)     | 32             |
| Housing material    | Cast Iron      |
| Insulation Class    | F              |
| Thermal Protection  | PTC 140°C      |
| Duty Cycle          | S1             |
| Cooling             | IC 411         |
| Ambient Temperature | -20°C to +40°C |
| Bearing Brand       | NSK            |
| Bearing (NDE)       | 6206 2RS C3    |

*Motors designed and manufactured in accordance with:*

**IEC 60034  
IEC 60038  
IEC 60072  
2014/30/EU (EMC)  
2014/35/EU (LVD)  
2011/65/EU (RoHS 2)**


[www.tecmotors.co.uk](http://www.tecmotors.co.uk)

TEC Electric Motors Ltd. reserves the right to amend or change motor designs or data sheet information



|             |            |
|-------------|------------|
| Drawn By    | Date       |
| A442313     | 27/11/2017 |
| Approved by | Date       |
| L. Overton  | 27/11/2017 |
| Issue No =  | Date       |
| BM01/A001   | 27/11/2017 |

**TC 100 B5**

  
[www.tecmotors.co.uk](http://www.tecmotors.co.uk)