



# MOTOR DATA SHEET

**MOTOR PART CODE:**

**1.563TECCB35-IE3**

**FRAME SIZE:**

**100L-6**

**50Hz**

Output (kW)	1.5
Rotation Speed (rpm)	940
Voltage	230/400
Full Load Current (A)	6.14   3.55
Full Load Torque (Nm)	15.24

**60Hz**

Output (kW)	1.8
Rotation Speed (rpm)	1128
Voltage	276   480
Full Load Current (A)	6.14   3.55
Full Load Torque (Nm)	12.70

## Efficiency Data

<b>100%</b>	<b>75%</b>	<b>50%</b>
82.5	83	81.6

Factory Reference	T3C 100L-6
Tst/Tn (times)	2
Tmax/Tn	2.2
Noise (dB)	61
Moment of inertia	0.00972
Type of feet	Removable feet
Protection	IP55
Rotation Direction	F / R
Cable Glands	1 - M20× 1.5
Paint Colour	RAL 7024
Efficiency	IE3
Bearing (DE)	6206 2RS C3

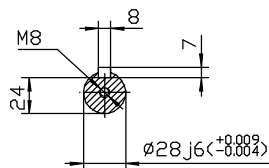
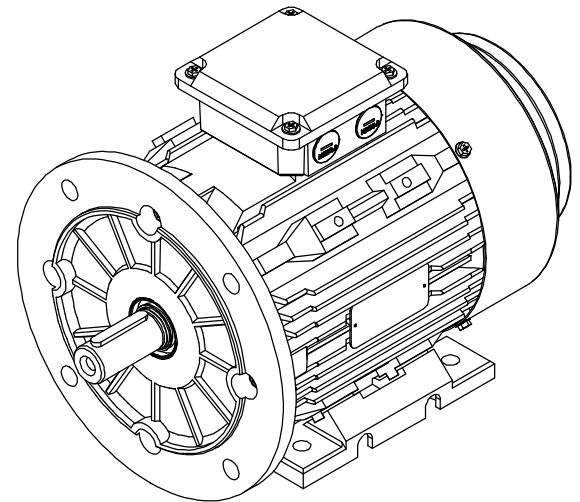
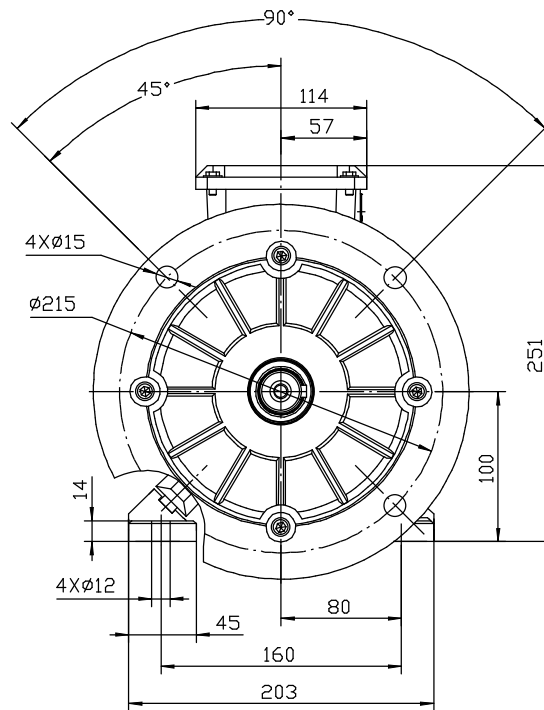
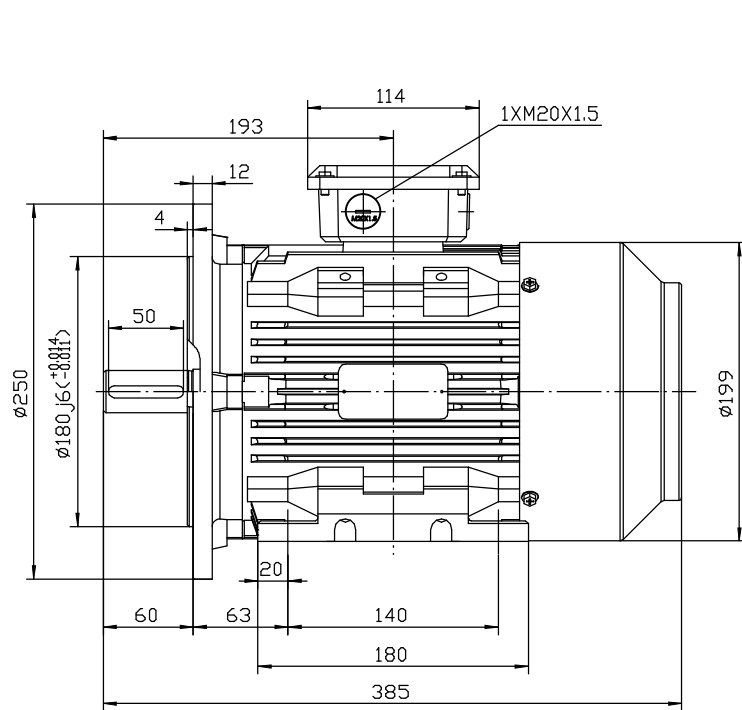
Power Factor (cos)	0.74
Tmin/Tn	1.7
Ist/In (Times)	5.2
Net Weight (Kg)	33.5
Housing material	Cast Iron
Insulation Class	F
Thermal Protection	PTC 140°C
Duty Cycle	S1
Cooling	IC411
Ambient Temperature	-20°C to +40°C
Bearing Brand	NSK
Bearing (NDE)	6206 2RS C3

*Motors designed and manufactured in accordance with:*

**IEC 60034**  
**IEC 60038**  
**IEC 60072**  
**2014/30/EU (EMC)**  
**2014/35/EU (LVD)**  
**2011/65/EU (RoHS 2)**

[www.tecmotors.co.uk](http://www.tecmotors.co.uk)

TEC Electric Motors Ltd. reserves the right to amend or change motor designs or data sheet information



Drawn By	Date
A442313	27/11/2017
Approved by	Date
L. Overton	27/11/2017
Issue No =	Date
BM01/A001	27/11/2017

**TC 100 B35**

