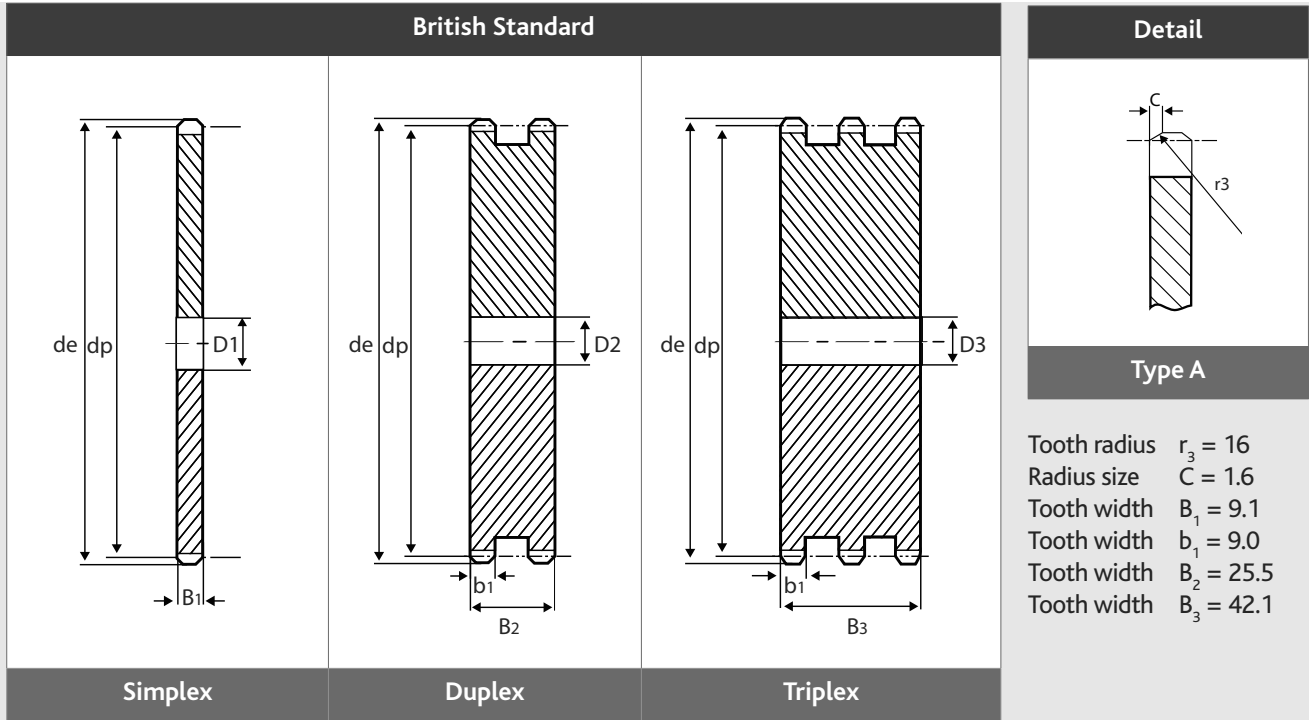




BS (10B) Platewheels 5/8" x 3/8" C45



No. teeth	Outside dia. de	Pitch dia. dp	Simplex	Duplex	Triplex
			D1*	D2*	D3*
8	47	41.48	10	12	12
9	52.6	46.42	10	12	12
10	57.5	51.37	10	12	16
11	63	56.34	10	14	16
12	68	61.34	10	14	16
13	73	66.32	10	14	16
14	78	71.34	10	14	16
15	83	76.36	10	14	16
16	88	81.37	12	16	16
17	93	86.38	12	16	16
18	98.3	91.42	12	16	16
19	103.3	96.45	12	16	16
20	108.4	101.49	12	16	16
21	113.4	106.52	12	16	20
22	118	111.55	12	16	20
23	123.5	116.58	12	16	20
24	128.3	121.62	12	16	20
25	134	126.66	12	16	20
26	139	131.70	16	16	20
27	144	136.75	16	16	20
28	148.7	141.78	16	16	20
29	153.8	146.83	16	16	20
30	158.8	151.87	16	16	20
31	163.9	156.92	16	20	20

No. teeth	Outside dia. de	Pitch dia. dp	Simplex	Duplex	Triplex
			D1*	D2*	D3*
32	168.9	161.95	16	20	20
33	174.5	167.00	16	20	20
34	179	172.05	16	20	20
35	184.1	177.10	16	20	20
36	189.1	182.15	20	20	25
37	194.2	187.20	20	20	25
38	199.2	192.24	20	20	25
39	204.2	197.29	20	20	25
40	209.3	202.34	20	20	25
41	214.8	207.39	20	20	25
42	219.9	212.44	20	20	25
43	224.9	217.49	20	20	25
44	230	222.53	20	20	25
45	235	227.58	20	20	25
46	240.1	232.63	20	25	25
47	245.1	237.68	20	25	25
48	250.2	242.73	20	25	25
49	255.2	247.78	20	25	25
50	260.3	252.82	20	25	25
51	265.3	257.87	20	25	25
52	270.4	262.92	20	25	25
53	275.4	267.97	20	25	25
54	280.5	273.03	20	25	25
55	285.5	278.08	20	25	25

No. teeth	Outside dia. de	Pitch dia. dp	Simplex	Duplex	Triplex
			D1*	D2*	D3*
56	290.6	283.13	25	25	25
57	296	288.18	25	25	25
58	300.7	293.23	25	25	25
59	305.7	298.27	25	25	25
60	310.8	303.32	25	25	25
62	321.4	313.43	25	25	30
64	331.5	323.53	25	25	30
65	336.5	328.58	25	25	30
66	341.6	333.63	25	25	30
68	351.7	343.74	25	25	30
70	361.8	353.84	25	25	30
72	371.9	363.95	25	25	30
75	387.1	379.09	25	25	30
76	392.1	384.16	25	25	30
78	402.2	394.25	25	25	30
80	412.3	404.35	25	30	30
85	437.6	429.62	30	30	30
90	462.8	454.88	30	30	30
95	488.5	480.14	30	30	30
100	513.4	505.39	30	30	30
110	563.9	555.92	30	30	30
114	584.1	576.13	30	30	30
120	614.4	606.45	30	30	30
125	639.7	631.51	30	30	30

All dimensions in mm. Intermediate sizes & special sprockets to drawing up to 1000mm diameter. Standard: to DIN 8187 ISO/R 606
 Available from stock Special order - typically 7-10 days * Bore Ø H12