



MOTOR DATA SHEET

MOTOR PART CODE:

11.063TECCB35-IE2

FRAME SIZE:

160L-6

	50Hz
Output (kW)	11
Rotation Speed (rpm)	960
Voltage	400/690
Full Load Current (A)	23.87/13.78
Full Load Torque (Nm)	109.4

	60Hz
Output (kW)	13.2
Rotation Speed (rpm)	1152
Voltage	480/828
Full Load Current (A)	23.87/13.78
Full Load Torque (Nm)	91.17

Efficiency Data

100%	75%	50%
88.7	88.6	87.5

Factory Reference	T2C 160L-6
Tst/Tn (times)	2.5
Tmax/Tn	2.8
Noise (dB)	73
Moment of inertia	0.12069
Type of feet	Removable feet
Protection	IP55
Rotation Direction	F / R
Cable Glands	2 - M32× 1.5
Paint Colour	RAL 7024
Efficiency	IE2
Bearing (DE)	6309 C3

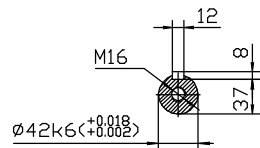
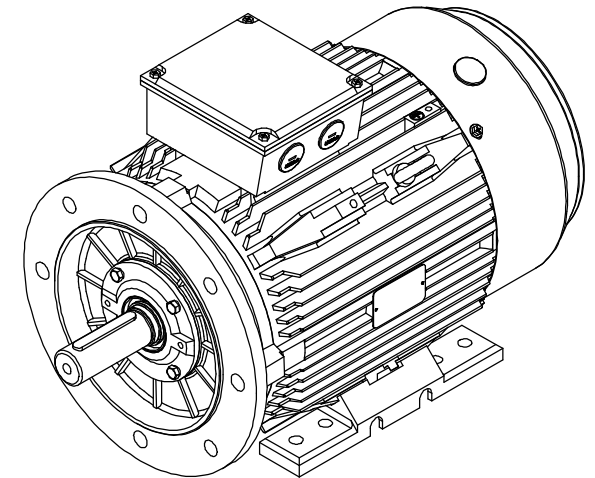
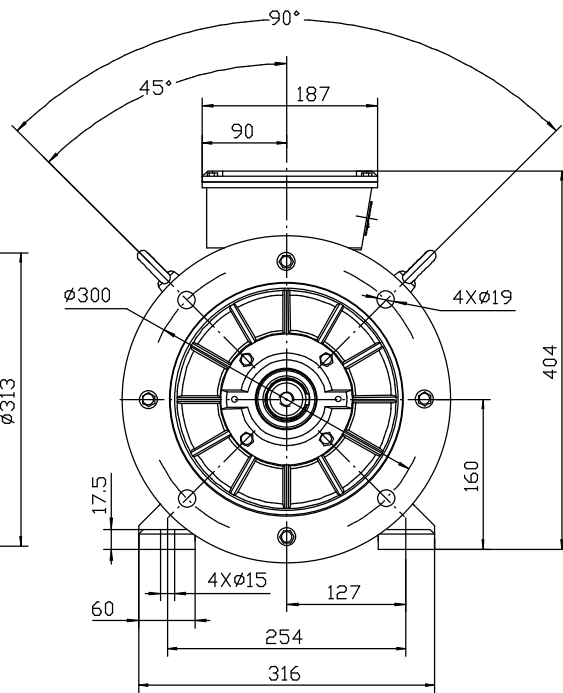
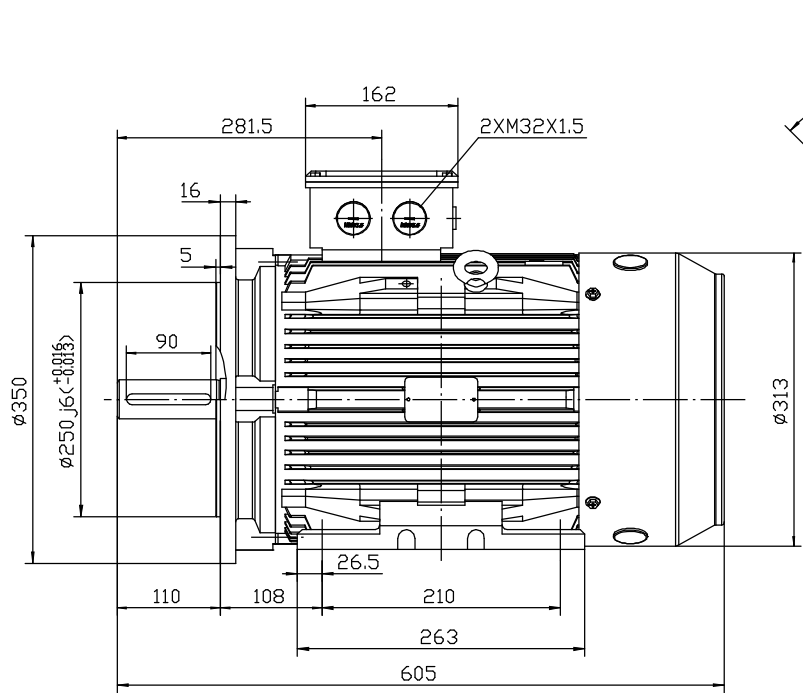
Power Factor (cos)	0.75
Tmin/Tn	1.4
Ist/In (Times)	9
Net Weight (Kg)	132.6
Housing material	Cast Iron
Insulation Class	F
Thermal Protection	PTC 140°C
Duty Cycle	S1
Cooling	IC 411
Ambient Temperature	-20°C to +40°C
Bearing Brand	NSK
Bearing (NDE)	6309 C3

Motors designed and manufactured in accordance with:

**IEC 60034
IEC 60038
IEC 60072
2014/30/EU (EMC)
2014/35/EU (LVD)
2011/65/EU (RoHS 2)**

www.tecmotors.co.uk

TEC Electric Motors Ltd. reserves the right to amend or change motor designs or data sheet information



Drawn By	Date
A442313	27/11/2017
Approved by	Date
L. Overton	27/11/2017
Issue No =	Date
BM01/A001	27/11/2017

TC 160 B35

