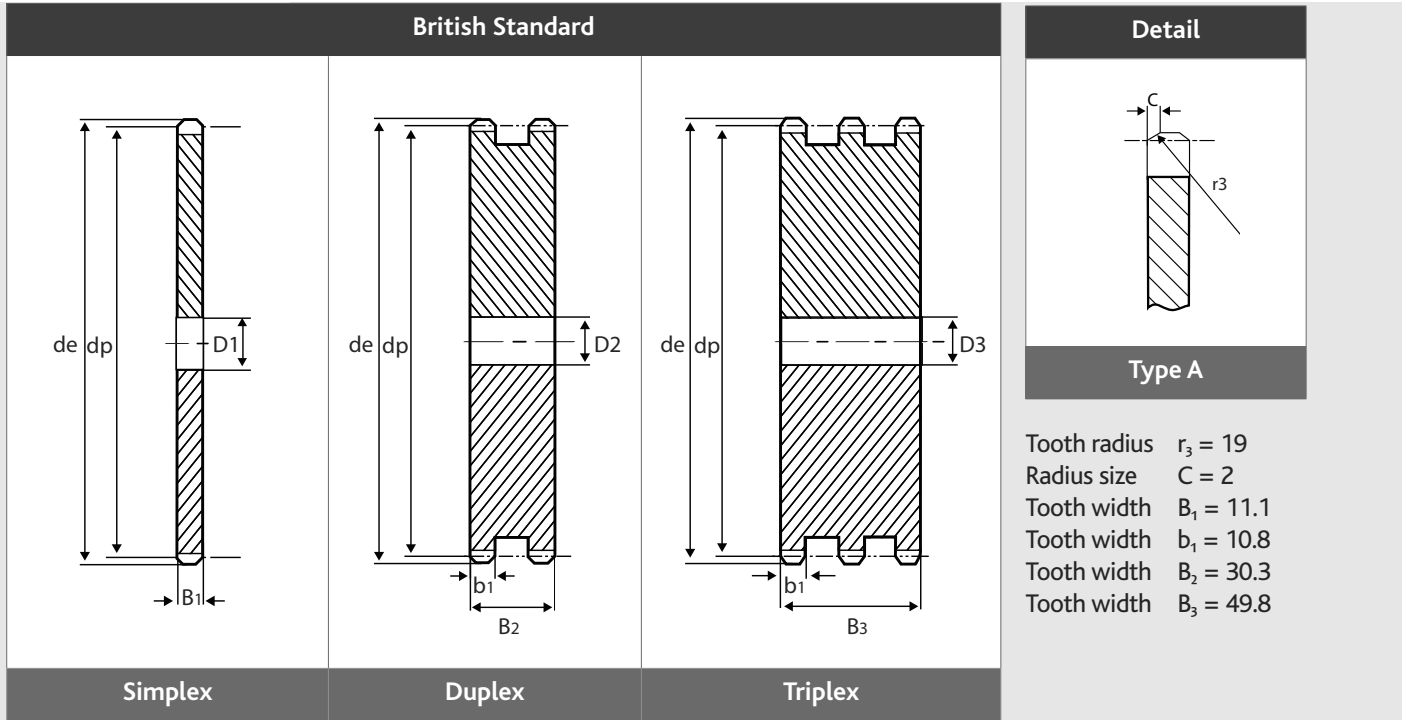


BS (12B) Platewheels 3/4" x 7/16" C45



No. teeth	Outside dia. de	Pitch dia. dp	Simplex	Duplex	Triplex
			D1*	D2*	D3*
8	57.6	49.78	12	12	16
9	62	55.70	12	12	16
10	69	61.64	12	12	16
11	75	67.61	14	16	20
12	81.5	73.61	14	16	20
13	87.5	79.59	14	16	20
14	93.6	85.61	14	16	20
15	99.8	91.63	14	16	20
16	105.5	97.65	14	20	20
17	111.5	103.67	14	20	20
18	118	109.71	14	20	20
19	124.2	115.75	14	20	20
20	129.7	121.78	14	20	20
21	136	127.82	16	20	20
22	141.8	133.86	16	20	20
23	149	139.90	16	20	20
24	153.9	145.94	16	20	20
25	160	152.00	16	20	20
26	165.9	158.04	16	20	20
27	172.3	164.09	16	20	20
28	178	170.13	16	20	20
29	184.1	176.19	16	20	20
30	190.5	182.25	16	20	20
31	196.3	188.31	20	20	25
32	203.3	194.36	20	20	25

No. teeth	Outside dia. de	Pitch dia. dp	Simplex	Duplex	Triplex
			D1*	D2*	D3*
33	209.2	200.40	20	20	25
34	214.6	206.46	20	20	25
35	221	212.52	20	20	25
36	226.8	218.58	20	25	25
37	232.9	224.64	20	25	25
38	239	230.69	20	25	25
39	245.1	236.75	20	25	25
40	251.3	242.81	20	25	25
41	257.3	248.87	25	25	25
42	264.5	254.93	25	25	25
43	270.5	260.98	25	25	25
44	276.5	267.04	25	25	25
45	282.5	273.10	25	25	25
46	287.9	279.16	25	25	25
47	294	285.21	25	25	25
48	300.1	291.27	25	25	25
49	306.2	297.33	25	25	25
50	312.3	303.39	25	25	25
51	318.4	309.45	25	25	25
52	324.5	315.50	25	25	25
53	330.5	321.56	25	25	25
54	336.6	327.64	25	25	25
55	342.7	333.70	25	25	25
56	348.7	339.75	25	25	30
57	355.4	345.81	25	25	30

No. teeth	Outside dia. de	Pitch dia. dp	Simplex	Duplex	Triplex
			D1*	D2*	D3*
58	361.5	351.87	25	25	30
59	367.5	357.93	25	25	30
60	373	363.99	25	25	30
62	385.1	376.12	25	30	30
64	397.2	388.24	25	30	30
65	403.2	394.29	25	30	30
66	409.3	400.35	30	30	30
68	421.4	412.49	30	30	30
70	433.6	424.60	30	30	30
72	447	436.74	30	30	30
75	463.9	454.91	30	30	30
76	469.9	460.99	30	30	30
78	482.1	473.10	30	30	30
80	494.2	485.22	30	30	30
85	524.5	515.55	30	30	30
90	554.8	545.86	30	30	30
95	585.1	576.17	30	30	30
100	615.4	606.47	30	30	30
110	676.1	667.11	30	30	30
114	700.6	691.36	30	30	30
120	736.7	727.74	30	30	30
125	767	758.05	30	30	30

* Bore \varnothing H12

All dimensions in mm. Intermediate sizes & special sprockets to drawing up to 1000mm diameter. Standard: to DIN 8187 ISO/R 606

Available from stock
 Special order - typically 7-10 days