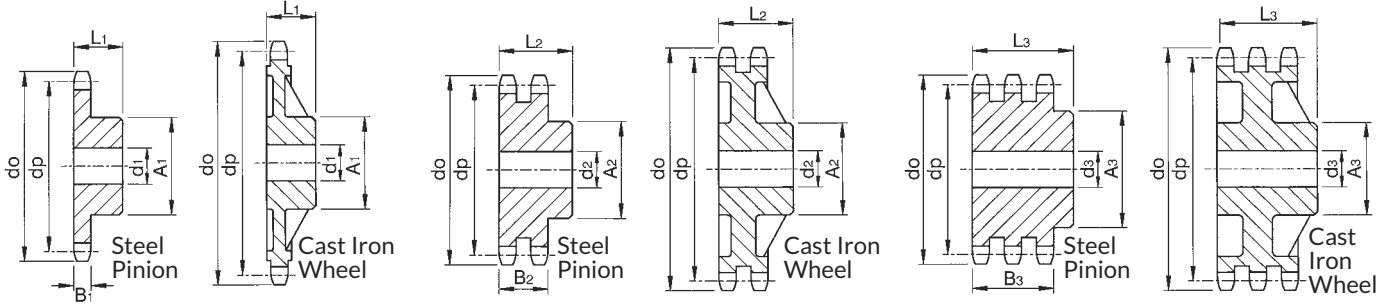


# Standard Sprockets for 1" Pitch British Standard Chains Type 16B

Conforming to ISO Std 606



## Simplex Sprockets

Chain No. 16B-1

Pitch 25.4mm  
Roller Dia. 15.88mm  
Inside Width 17.02mm  
Overall Width 38.7mm  
Tooth Width B<sub>1</sub> 16.2mm

## Duplex Sprockets

Chain No. 16B-2

Pitch 25.4mm  
Roller Dia. 15.88mm  
Inside Width 17.02mm  
Overall Width 70.7mm  
Tooth Width B<sub>2</sub> 47.7mm

## Triplex Sprockets

Chain No. 16B-3

Pitch 25.4mm  
Roller Dia. 15.88mm  
Inside Width 17.02mm  
Overall Width 102.5mm  
Tooth Width B<sub>3</sub> 79.6mm

No. Teeth Z	Pitch Circle Ø dp	Outside Ø do	Simplex Sprocket					Duplex Sprocket					Triplex Sprocket							
			Cat. No.	Min. † Bore d <sub>1</sub>	Max. Bore d <sub>1</sub>	L.T.B. L <sub>1</sub>	Hub Ø A <sub>1</sub>	App. Weight kg	Cat. No.	Min. † Bore d <sub>2</sub>	Max. Bore d <sub>2</sub>	L.T.B. L <sub>2</sub>	Hub Ø A <sub>2</sub>	App. Weight kg	Cat. No.	Min. † Bore d <sub>3</sub>	Max. Bore d <sub>3</sub>	L.T.B. L <sub>3</sub>	Hub Ø A <sub>3</sub>	App. Weight kg
<b>Steel Pinions</b>																				
8	66.37	77.0	16B1-08	16	28	35	42	0.50	16B2-08	16	28	65	42	0.9	16B3-08	20	28	95	42	1.2
9	74.26	85.0	16B1-09	16	34	35	50	0.68	16B2-09	16	34	65	50	1.2	16B3-09	20	34	95	50	1.7
10	82.20	93.0	16B1-10	16	36	35	55	0.86	16B2-10	16	37	65	56	1.6	16B3-10	20	37	95	56	2.2
11	90.16	99.5	16B1-11	16	40	40	61	1.1	16B2-11	20	43	70	64	2.0	16B3-11	25	43	100	64	2.7
12	98.14	109.0	16B1-12	16	46	40	69	1.5	16B2-12	20	47	70	72	2.6	16B3-12	25	47	100	72	3.6
13	106.14	117.0	16B1-13	16	52	40	78	1.8	16B2-13	20	54	70	80	3.2	16B3-13	25	54	100	80	4.4
14	114.15	125.0	16B1-14	16	56	40	84	2.1	16B2-14	20	58	70	88	3.8	16B3-14	25	58	100	88	5.3
15	122.17	133.0	16B1-15	16	61	40	92	2.5	16B2-15	20	64	70	96	4.5	16B3-15	25	64	100	96	6.3
16	130.20	141.0	16B1-16	20	67	45	100	3.2	16B2-16	20	69	70	104	5.2	16B3-16	30	69	100	104	7.2
17	138.23	149.0	16B1-17	20	67	45	100	3.4	16B2-17	20	75	70	112	6.0	16B3-17	30	75	100	112	8.4
18	146.27	157.0	16B1-18	20	67	45	100	3.6	16B2-18	20	80	70	120	6.9	16B3-18	30	80	100	120	9.6
19	154.32	165.2	16B1-19	20	67	45	100	3.8	16B2-19	20	85	70	128	7.8	16B3-19	30	85	100	128	10.9
20	162.37	173.2	16B1-20	20	67	45	100	4.0	16B2-20	20	87	70	130	8.6	16B3-20	30	87	100	130	12.1
21	170.42	181.2	16B1-21	20	74	50	110	5.0	16B2-21	25	87	70	130	9.2	16B3-21	30	87	100	130*	13.3
22	178.48	189.3	16B1-22	20	74	50	110	5.3	16B2-22	25	87	70	130*	10.0	16B3-22	30	87	100	130*	14.5
23	186.54	197.5	16B1-23	20	74	50	110	5.6	16B2-23	25	87	70	130*	10.8	16B3-23	30	87	100	130*	15.9
24	194.60	205.5	16B1-24	20	74	50	110	5.9	16B2-24	25	87	70	130*	11.6	16B3-24	30	87	100	130*	17.2
25	202.66	213.5	16B1-25	20	74	50	110	6.2	16B2-25	25	87	70	130*	12.5	16B3-25	30	87	100	130*	18.7
26	210.72	221.6	16B1-26	20	80	50	120	7.0	16B2-26	25	87	70	130*	13.4	16B3-26	30	87	100	130*	20.2
27	218.79	229.6	16B1-27	20	80	50	120	7.3	16B2-27	25	87	70	130*	14.3	16B3-27	30	87	100	130*	21.8
28	226.86	237.7	16B1-28	20	80	50	120	7.7	16B2-28	25	87	70	130*	15.3	16B3-28	30	87	100	130*	23.4
29	234.93	245.8	16B1-29	20	80	50	120	8.0	16B2-29	25	87	70	130*	16.3	16B3-29	30	87	100	130*	25.1
30	243.00	254.0	16B1-30	20	80	50	120	8.4	16B2-30	25	87	70	130*	17.4	16B3-30	30	87	100	130*	26.9
31	251.07	262.0	16B1-31	25	80	50	120*	8.7	16B2-31	25	94	70	140*	18.9	16B3-31	30	87	100	130*	28.7
32	259.14	270.0	16B1-32	25	80	50	120*	9.1	16B2-32	25	94	70	140*	20.0	16B3-32	30	94	100	140*	30.9
33	267.21	278.5	16B1-33	25	80	50	120*	9.5	16B2-33	25	94	70	140*	21.3	16B3-33	30	94	100	140*	33.0
34	275.28	287.0	16B1-34	25	80	50	120*	10.0	16B2-34	25	94	70	140*	22.5	16B3-34	30	94	100	140*	35.1
35	283.36	296.2	16B1-35	25	80	50	120*	10.5	16B2-35	25	94	70	140*	23.9	16B3-35	30	94	100	140*	37.4
36	291.43	304.6	16B1-36	25	80	50	120*	10.9	16B2-36	25	94	70	140*	25.3	16B3-36	30	94	100	140*	39.6
37	299.51	312.6	16B1-37	25	80	50	120*	11.4	16B2-37	25	94	70	140*	26.6	16B3-37	30	94	100	140*	41.8
38	307.58	320.7	16B1-38	25	80	50	120*	11.9	16B2-38	25	94	70	140*	28.0	16B3-38	30	94	100	140*	44.1
39	315.66	328.8	16B1-39	25	80	50	120*	12.4	16B2-39	25	94	70	140*	29.4	16B3-39	30	94	100	140*	46.5
40	323.74	336.9	16B1-40	25	80	50	120*	12.9	16B2-40	25	94	70	140*	30.8	16B3-40	30	94	100	140*	48.9
42	339.89	353.0	16B1-42	25	89	68	133*	16.5	16B2-42	25	94	70	140*	33.9						
45	364.12	377.1	16B1-45	25	89	68	133*	18.2	16B2-45	25	94	70	140*	38.7	16B3-45	30	107	110	160*	64.2
46	372.20	385.2	16B1-46	25	89	68	133*	18.7	16B2-46	25	94	70	140*	40.4						
48	388.36	401.3	16B1-48	25	89	68	133*	19.9	16B2-48	25	94	70	140*	43.9						
50	404.52	417.4	16B1-50	25	89	68	133*	21.2	16B2-50	25	94	70	140*	47.5	16B3-50	30	107	110	160*	78.8
57	461.08	474.0	16B1-57	30	89	68	133*	25.9	16B2-57	40	107	82	160*	63.6	16B3-57	40	120	112	180*	103
60	485.33	498.3	16B1-60	30	89	68	133*	28.1	16B2-60	40	107	82	160*	70.2						
76	614.64	627.0	16B1-76	30	97	68	145*	43.1	16B2-76	40	107	82	160*	111	16B3-76	40	120	112	180*	182
95	768.22	781.1	16B1-95	30	107	78	160*	67.0	16B2-95	40	120	109	180*	179	16B3-95	40	120	112	180*	284
<b>Cast Iron Wheels</b>																				
38	307.58	320.7	16B1-38C	29	66	65	110	11.5	16B2-38C	39	84	75	140	16.0	16B3-38C	44	96	100	160	26
45	364.12	377.1	16B1-45C	29	75	70	125	14.0	16B2-45C	39	90	75	150	20.5	16B3-45C	44	96	100	160	33
57	461.08	474.0	16B1-57C	34	75	70	125	13.0	16B2-57C	39	102	90	170	20.5	16B3-57C	44	100	100	165	42
76	614.64	627.0	16B1-76C	34	84	80	140	25.3	16B2-76C	39	105	95	175	44	16B3-76C	44	120	110	200	63
95	768.22	781.0	16B1-95C	39	84	80	140	36.0	16B2-95C	44	105	95	175	56	16B3-95C	49	120	110	200	88
114	921.81	934.0	16B1-114	39	84	80	140	46.5	16B2-114	44	105	95	175	61	16B3-114	49	120	115	200	90

Pinions 8 to 20 teeth (to 30 teeth Simplex) in Steel with min. U.T.S. 600N/mm<sup>2</sup>, which can be supplied with induction hardened teeth to 45RC.  
All other pinions are in Steel with min 410N/mm<sup>2</sup>  
All Standard Stock Sprockets can be reworked to customers required bore, keyway, and setscrew requirements, on a 48 hour service.

All dimensions in mm.

† Min. toleranced bore which can be machined in sprocket.

\* Sprockets with an asterisk on the hub diameter may be fabricated construction.