



MOTOR DATA SHEET

MOTOR PART CODE:

2.221TCCB35R

FRAME SIZE:

90L-2

50Hz

Output (kW)	2.2
Rotation Speed (rpm)	2850
Voltage	230
Full Load Current (A)	11.93
Full Load Torque (Nm)	7.37

Factory Reference	ML90L-2
Tst/Tn (times)	2.5
Tmax/Tn	1.75
Noise (dB)	80
Moment of inertia	0.001994784
Type of feet	Removable feet
Rotation Direction	F / R
Cooling	IC411
Standard	IEC60034
IP Rating	IP55
Allowed Radial Load (N)	656
Bearing (DE)	6205 2RZ C3

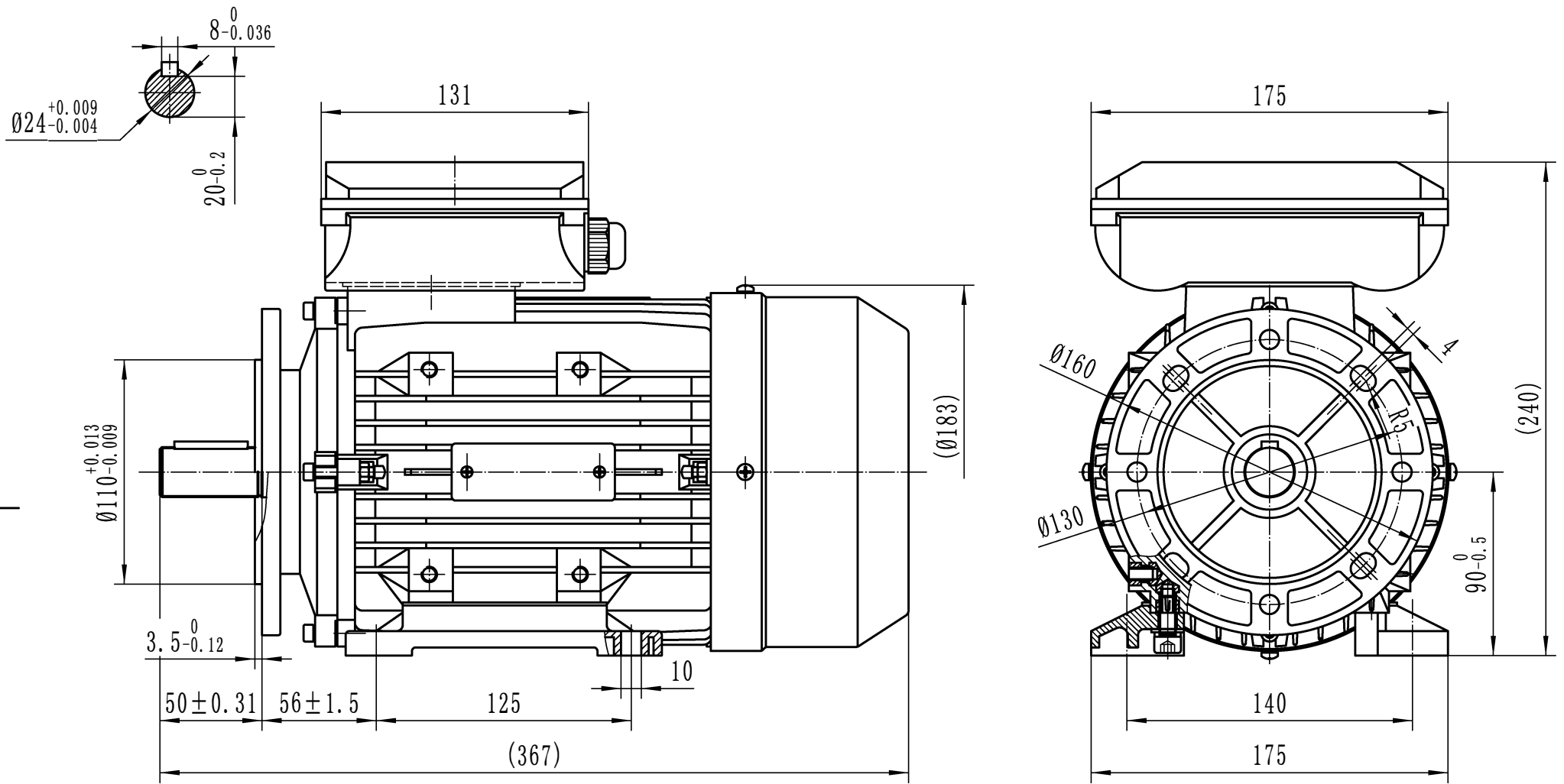
Power Factor (cos)	0.99
Tmin/Tn	1.5
Ist/In (Times)	6.4
Net Weight (Kg)	16.8
Housing material	Aluminium
Insulation Class	F
Duty Cycle	S1
Paint	RAL 7024
Ambient Temperature	-20°C to +40°
Starting Method	DOL
Allowed Axial Load (N)	493
Bearing (NDE)	6205 2RZ C3

Motors designed and manufactured in accordance with:

IEC 60034
IEC 60038
IEC 60072
2014/30/EU (EMC)
2014/35/EU (LVD)
2011/65/EU (RoHS 2)

www.tecmotors.co.uk

TEC Electric Motors Ltd. reserves the right to amend or change motor designs or data sheet information



Drawn By	Date
A442313	27/11/2017
Approved by	Date
L. Overton	27/11/2017
Issue No =	Date
A401/18/001	27/11/2017

TCC 90L B35R



www.tecmotors.co.uk