



# MOTOR DATA SHEET

**MOTOR PART CODE:**

**2.223TECAB34-IE3**

**FRAME SIZE:**

**90L1-2**

**50Hz**

Output (kW)	2.2
Rotation Speed (rpm)	2910
Voltage	230/400
Full Load Current (A)	7.81   4.51
Full Load Torque (Nm)	7.219931271

**60Hz**

Output (kW)	2.64
Rotation Speed (rpm)	3492
Voltage	276   480
Full Load Current (A)	7.81   4.51
Full Load Torque (Nm)	6.02

## Efficiency Data

<b>100%</b>	<b>75%</b>	<b>50%</b>
85.9	86.1	84.7

Factory Reference	T3A 90L1-2
Tst/Tn (times)	3.1
Tmax/Tn	3.5
Noise (dB)	72
Moment of inertia	0.002635953
Type of feet	Removable feet
Protection	IP55
Rotation Direction	F / R
Cable Glands	1 - M20 × 1.5
Paint Colour	RAL 7024
Efficiency	IE3
Bearing (DE)	6205 2RS C3

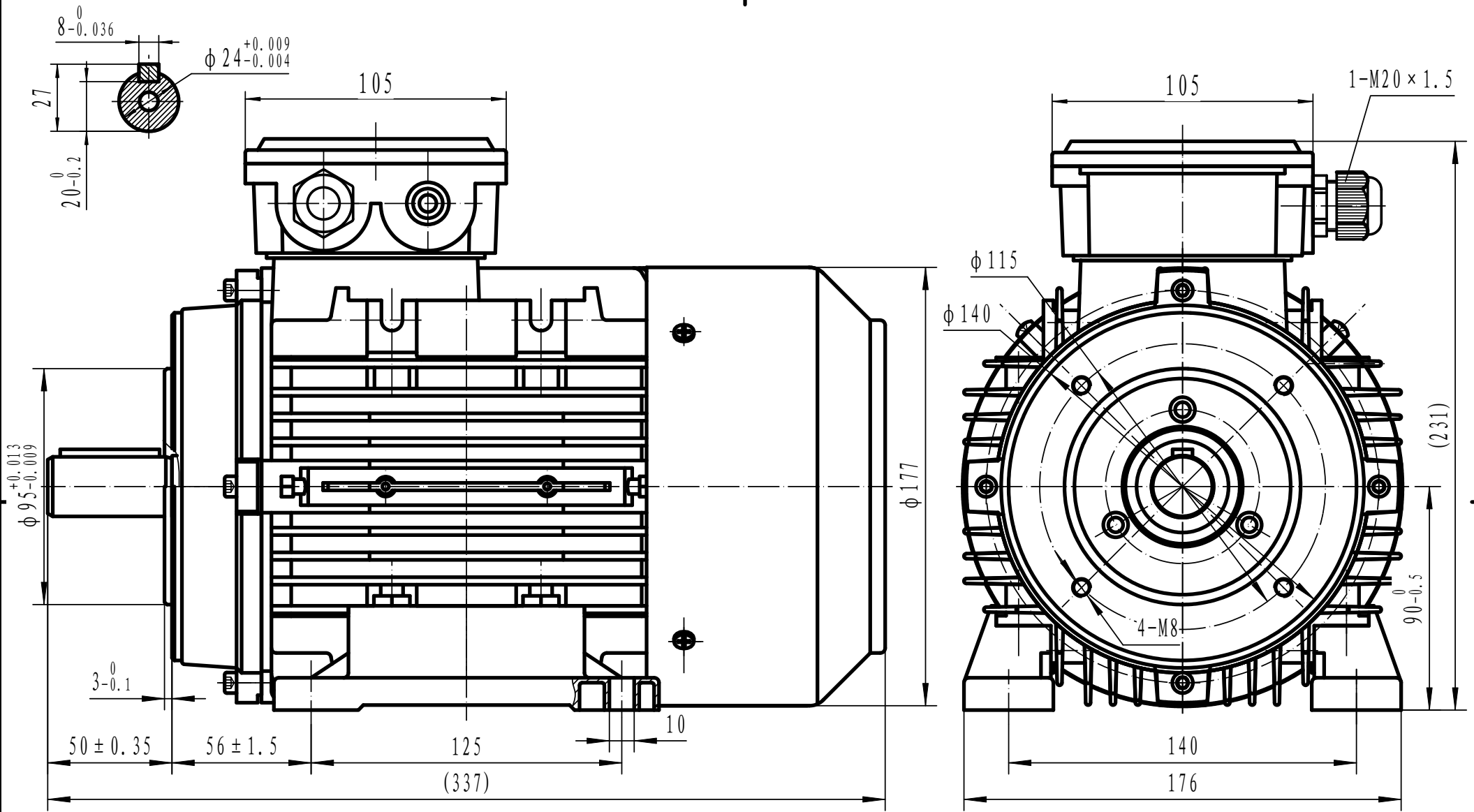
Power Factor (cos)	0.82
Tmin/Tn	2.2
Ist/In (Times)	8.1
Net Weight (Kg)	16.3
Housing material	Aluminum
Insulation Class	F
Thermal Protection	PTC 130°C
Duty Cycle	S1
Cooling	IC 411
Ambient Temperature	-20°C to +40°C
Bearing Brand	NSK
Bearing (NDE)	6205 2RS C3

*Motors designed and manufactured in accordance with:*

**IEC 60034  
IEC 60038  
IEC 60072  
2014/30/EU (EMC)  
2014/35/EU (LVD)  
2011/65/EU (RoHS 2)**

[www.tecmotors.co.uk](http://www.tecmotors.co.uk)

TEC Electric Motors Ltd. reserves the right to amend or change motor designs or data sheet information



Drawn By	Date
TECHTOP	27/11/2017
Approved by	Date
L. Overton	27/11/2017
Issue No =	Date
001/A	27/11/2017

**TA90LB34**

