



MOTOR DATA SHEET

MOTOR PART CODE:

2.241TPCB5R

FRAME SIZE:

100L1-4

50Hz

Output (kW)	2.2
Rotation Speed (rpm)	1390
Voltage	230
Full Load Current (A)	12.64
Full Load Torque (Nm)	15.12

Factory Reference	MYT100L1-4
Tst/Tn (times)	0.48
Tmax/Tn	1.75
Noise (dB)	80
Moment of inertia	0.00866521
Type of feet	Not Fitted
Rotation Direction	F / R
Cooling	IC411
Standard	IEC60034
IP Rating	IP55
Allowed Radial Load (N)	1131
Bearing (DE)	6206 2RZ C3

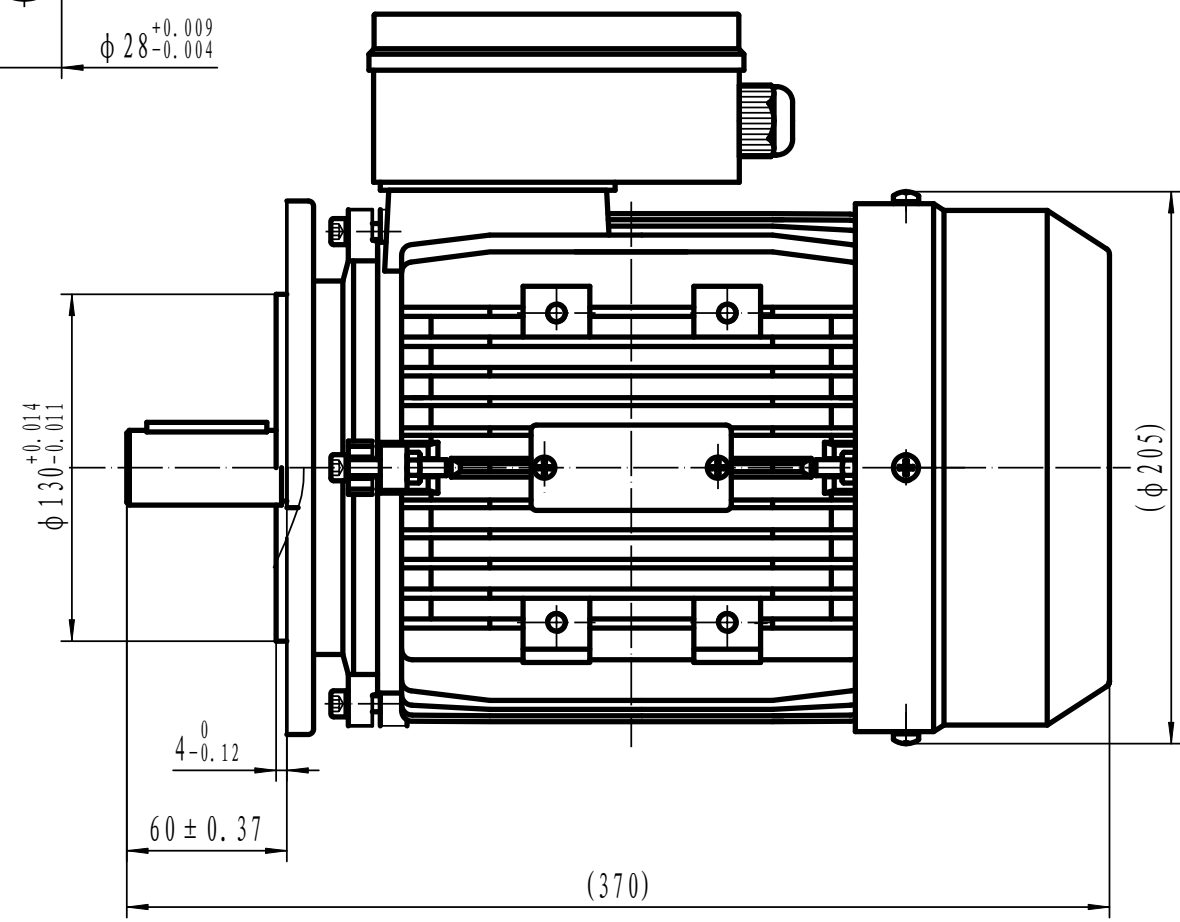
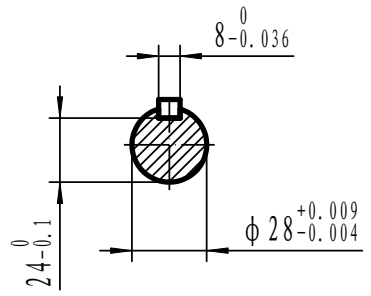
Power Factor (cos)	0.97
Tmin/Tn	0.47
Ist/In (Times)	4
Net Weight (Kg)	24.5
Housing material	Aluminum
Insulation Class	F
Duty Cycle	S1
Paint	RAL 7024
Ambient Temperature	-20°C to +40°
Starting Method	DOL
Allowed Axial Load (N)	912
Bearing (NDE)	6206 2RZ C3

Motors designed and manufactured in accordance with:

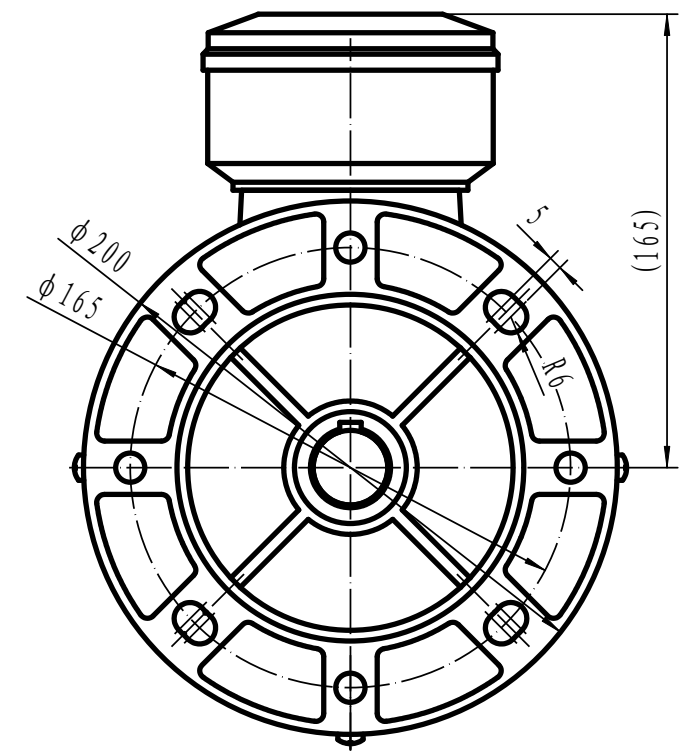
IEC 60034
IEC 60038
IEC 60072
2014/30/EU (EMC)
2014/35/EU (LVD)
2011/65/EU (RoHS 2)

www.tecmotors.co.uk

TEC Electric Motors Ltd. reserves the right to amend or change motor designs or data sheet information



($\phi 205$)



Drawn By	Date
A442313	27/11/2017
Approved by	Date
L. Overton	27/11/2017
Issue No =	Date
TPC01/A001	27/11/2017

TPC 100 B5R

