



# MOTOR DATA SHEET

**MOTOR PART CODE:**

**200.043TECCB35-IE2**

**FRAME SIZE:**

**315L2-4**

	<b>50Hz</b>
Output (kW)	200
Rotation Speed (rpm)	1480
Voltage	400/690
Full Load Current (A)	341.07/196.91
Full Load Torque (Nm)	1290.5

	<b>60Hz</b>
Output (kW)	240
Rotation Speed (rpm)	1776
Voltage	480/828
Full Load Current (A)	341.07/196.91
Full Load Torque (Nm)	1075.42

## Efficiency Data

<b>100%</b>	<b>75%</b>	<b>50%</b>
95.1	95.3	93.9

Factory Reference	T2C 315L2-4
Tst/Tn (times)	2
Tmax/Tn	2.3
Noise (dB)	97
Moment of inertia	4.67201
Type of feet	Fixed feet
Protection	IP55
Rotation Direction	F / R
Cable Glands	2 - M63× 1.5
Paint Colour	RAL 7024
Efficiency	IE2
Bearing (DE)	NU319 C3

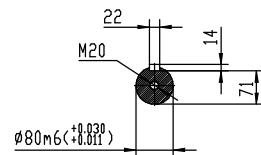
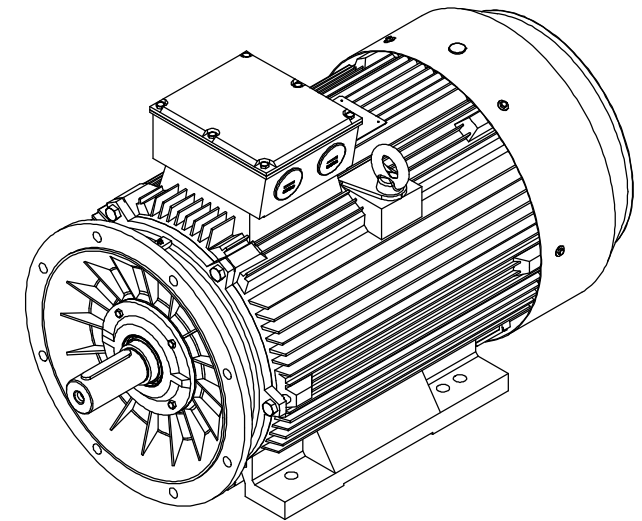
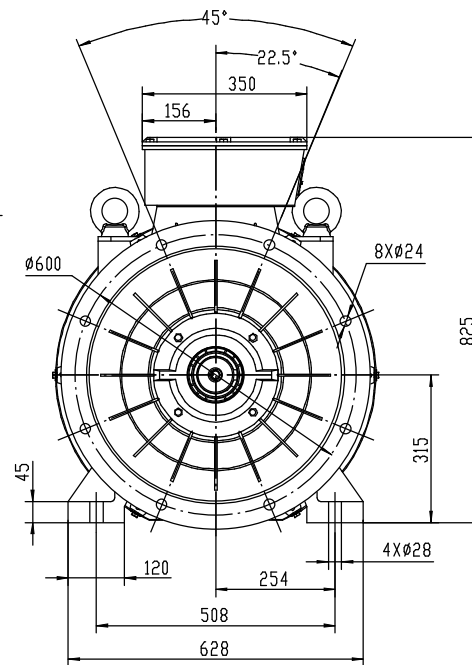
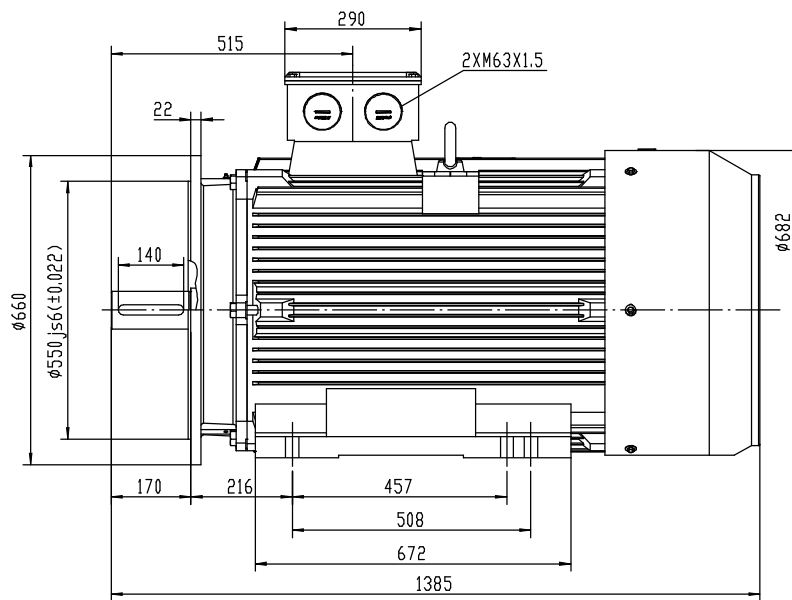
Power Factor (cos)	0.89
Tmin/Tn	1.3
Ist/In (Times)	6
Net Weight (Kg)	1220
Housing material	Cast Iron
Insulation Class	F
Thermal Protection	PTC 140°C
Duty Cycle	S1
Cooling	IC 411
Ambient Temperature	-20°C to +40°C
Bearing Brand	NSK
Bearing (NDE)	6319 C3

*Motors designed and manufactured in accordance with:*

**IEC 60034  
IEC 60038  
IEC 60072  
2014/30/EU (EMC)  
2014/35/EU (LVD)  
2011/65/EU (RoHS 2)**

[www.tecmotors.co.uk](http://www.tecmotors.co.uk)

TEC Electric Motors Ltd. reserves the right to amend or change motor designs or data sheet information



Drawn By	Date	<b>TC 315ML 4, 6 &amp; 8PL B35</b>
A442313	27/11/2017	
Approved by	Date	
L. Overton	27/11/2017	
Issue No =	Date	
BM01/A001	27/11/2017	

