



MOTOR DATA SHEET

MOTOR PART CODE:

200.063TECCB35-IE2

FRAME SIZE:

355M2-6

	50Hz
Output (kW)	200
Rotation Speed (rpm)	980
Voltage	400/690
Full Load Current (A)	357.49/206.39
Full Load Torque (Nm)	1949

	60Hz
Output (kW)	240
Rotation Speed (rpm)	1176
Voltage	480/828
Full Load Current (A)	357.49/206.39
Full Load Torque (Nm)	1624.17

Efficiency Data

100%	75%	50%
95	95	92.6

Factory Reference	T2C 355M2-6
Tst/Tn (times)	2
Tmax/Tn	2.3
Noise (dB)	92
Moment of inertia	11.00175
Type of feet	Fixed feet
Protection	IP55
Rotation Direction	F / R
Cable Glands	2 - M63× 1.5
Paint Colour	RAL 7024
Efficiency	IE2
Bearing (DE)	NU322 C3

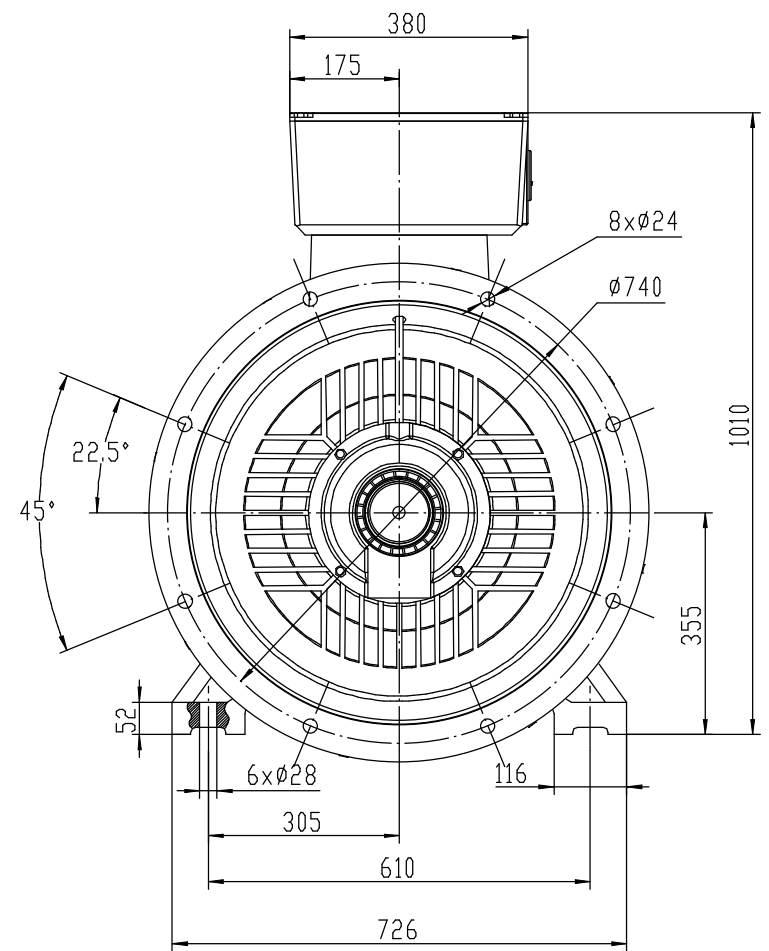
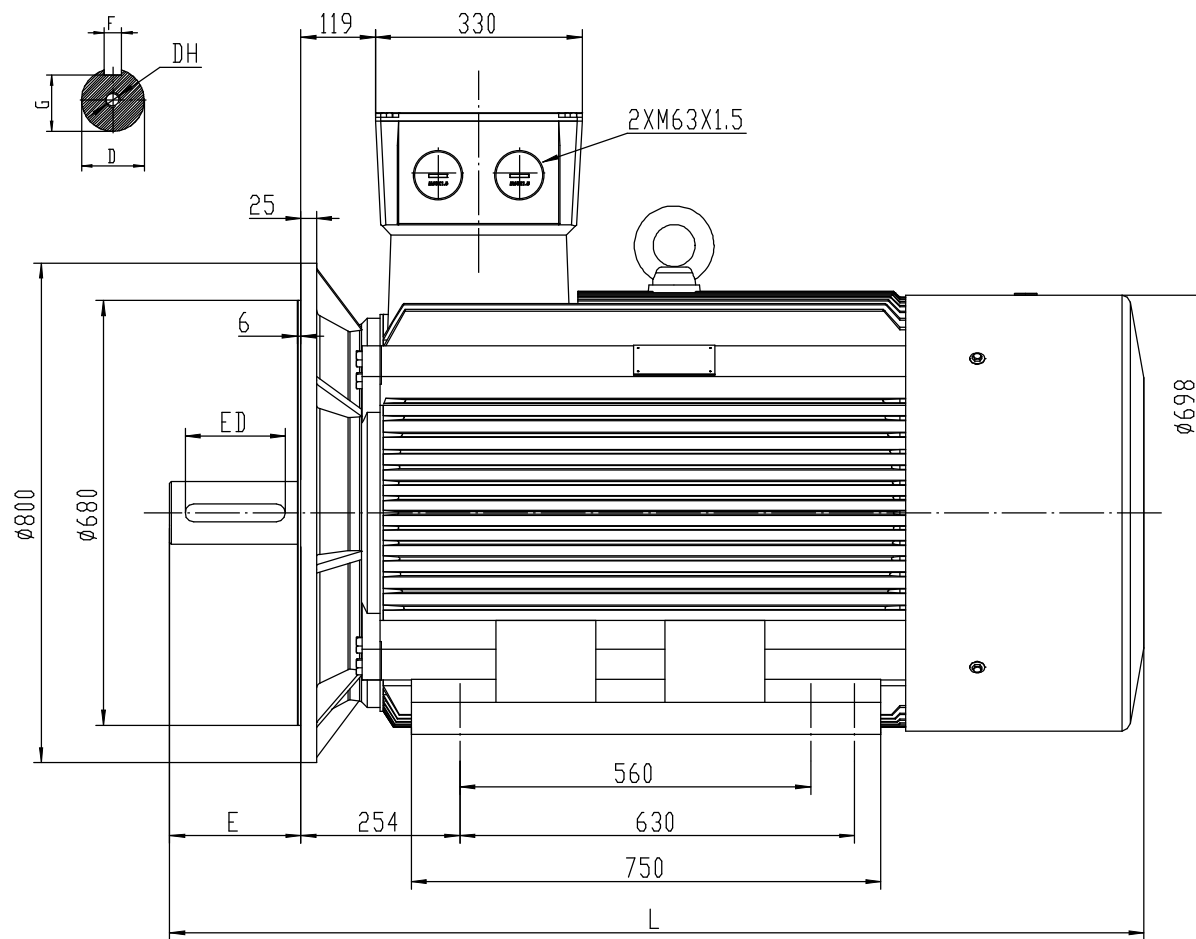
Power Factor (cos)	0.85
Tmin/Tn	1.3
Ist/In (Times)	6.5
Net Weight (Kg)	1720
Housing material	Cast Iron
Insulation Class	F
Thermal Protection	PTC 140°C
Duty Cycle	S1
Cooling	IC 411
Ambient Temperature	-20°C to +40°C
Bearing Brand	NSK
Bearing (NDE)	6322 C3

Motors designed and manufactured in accordance with:

**IEC 60034
IEC 60038
IEC 60072
2014/30/EU (EMC)
2014/35/EU (LVD)
2011/65/EU (RoHS 2)**

www.tecmotors.co.uk

TEC Electric Motors Ltd. reserves the right to amend or change motor designs or data sheet information



TYPE	D	E	F	G	DH	ED	L
Y2-355M/L-2P	Ø75	140	20 ^{-0.043}	68	M20x42	110	1500
Y2-355M/L-4/6/8P	Ø100	210	28 ^{-0.052}	90	M24x50	160	1570

Drawn By	Date
A442313	27/11/2017
Approved by	Date
L. Overton	27/11/2017
Issue No =	Date
BM01/A001	27/11/2017

TC 355ML4 B35



www.tecmotors.co.uk