



MOTOR DATA SHEET

MOTOR PART CODE:

4.043TECCB3-IE2

FRAME SIZE:

112M-4

	50Hz
Output (kW)	4
Rotation Speed (rpm)	1435
Voltage	400/690
Full Load Current (A)	8.23/4.75
Full Load Torque (Nm)	26.62

	60Hz
Output (kW)	4.8
Rotation Speed (rpm)	1722
Voltage	480/828
Full Load Current (A)	8.23/4.75
Full Load Torque (Nm)	22.18

Efficiency Data

100%	75%	50%
86.6	87.2	85.5

Factory Reference	T2C 112M-4
Tst/Tn (times)	2.2
Tmax/Tn	3
Noise (dB)	65
Moment of inertia	0.01369
Type of feet	Removable feet
Protection	IP55
Rotation Direction	F / R
Cable Glands	2 - M25× 1.5
Paint Colour	RAL 7024
Efficiency	IE2
Bearing (DE)	6306 2RS C3

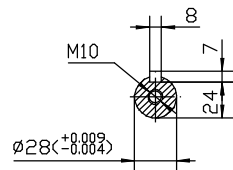
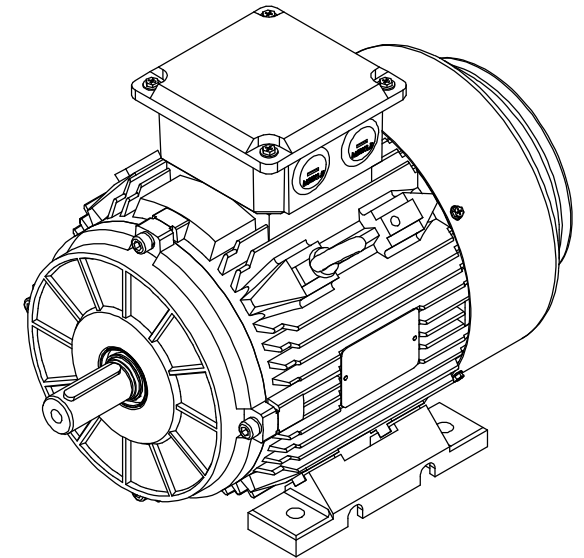
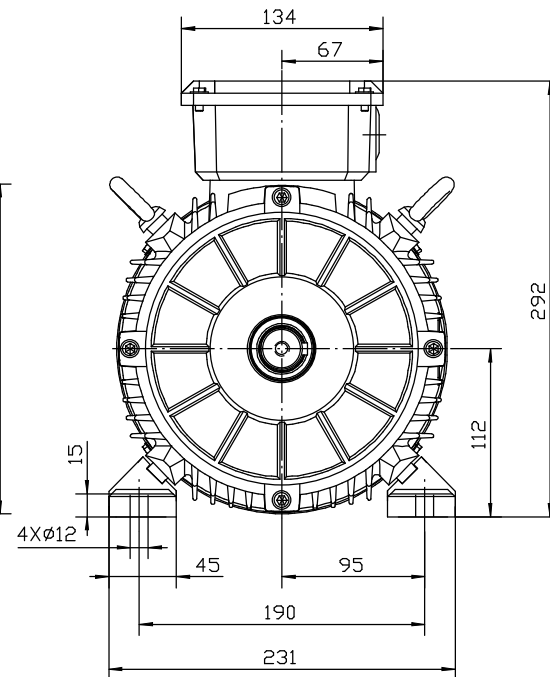
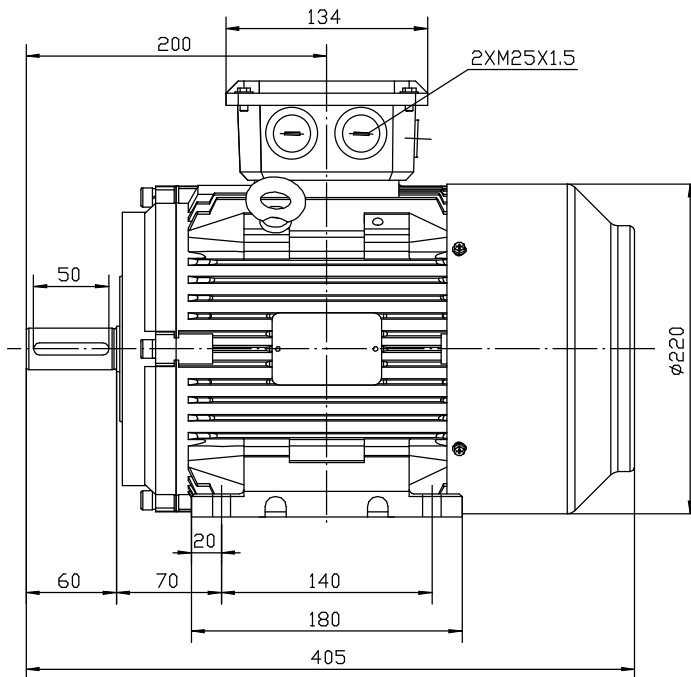
Power Factor (cos)	0.81
Tmin/Tn	2
Ist/In (Times)	7.9
Net Weight (Kg)	45
Housing material	Cast Iron
Insulation Class	F
Thermal Protection	PTC 140°C
Duty Cycle	S1
Cooling	IC 411
Ambient Temperature	-20°C to +40°C
Bearing Brand	NSK
Bearing (NDE)	6306 2RS C3

Motors designed and manufactured in accordance with:

**IEC 60034
IEC 60038
IEC 60072
2014/30/EU (EMC)
2014/35/EU (LVD)
2011/65/EU (RoHS 2)**

www.tecmotors.co.uk

TEC Electric Motors Ltd. reserves the right to amend or change motor designs or data sheet information



Drawn By	Date
A442313	27/11/2017
Approved by	Date
L. Overton	27/11/2017
Issue No =	Date
BM01/A001	27/11/2017

TC 112 B3



www.tecmotors.co.uk