



# MOTOR DATA SHEET

**MOTOR PART CODE:**

**45.043TECCB5-IE2**

**FRAME SIZE:**

**225M-4**

	<b>50Hz</b>
Output (kW)	45
Rotation Speed (rpm)	1480
Voltage	400/690
Full Load Current (A)	78.39/45.26
Full Load Torque (Nm)	290.4

	<b>60Hz</b>
Output (kW)	54
Rotation Speed (rpm)	1776
Voltage	480/828
Full Load Current (A)	78.39/45.26
Full Load Torque (Nm)	242.00

## Efficiency Data

<b>100%</b>	<b>75%</b>	<b>50%</b>
93.1	94.2	92.8

Factory Reference	T2C 225M-4
Tst/Tn (times)	2.2
Tmax/Tn	2.3
Noise (dB)	81
Moment of inertia	0.59389
Type of feet	Not fitted
Protection	IP55
Rotation Direction	F / R
Cable Glands	2 - M50× 1.5
Paint Colour	RAL 7024
Efficiency	IE2
Bearing (DE)	6313 C3

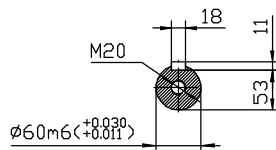
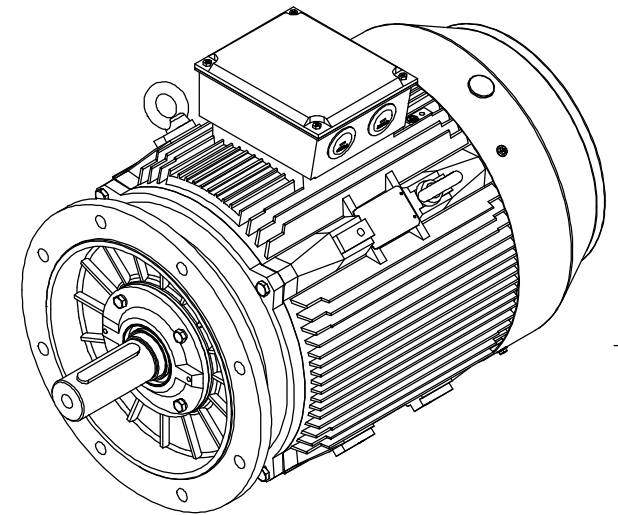
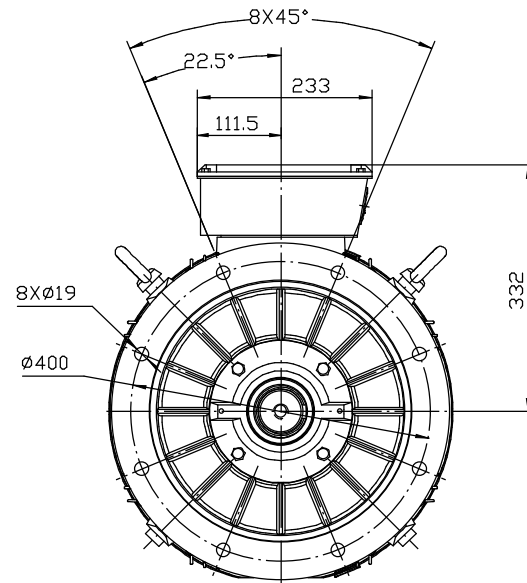
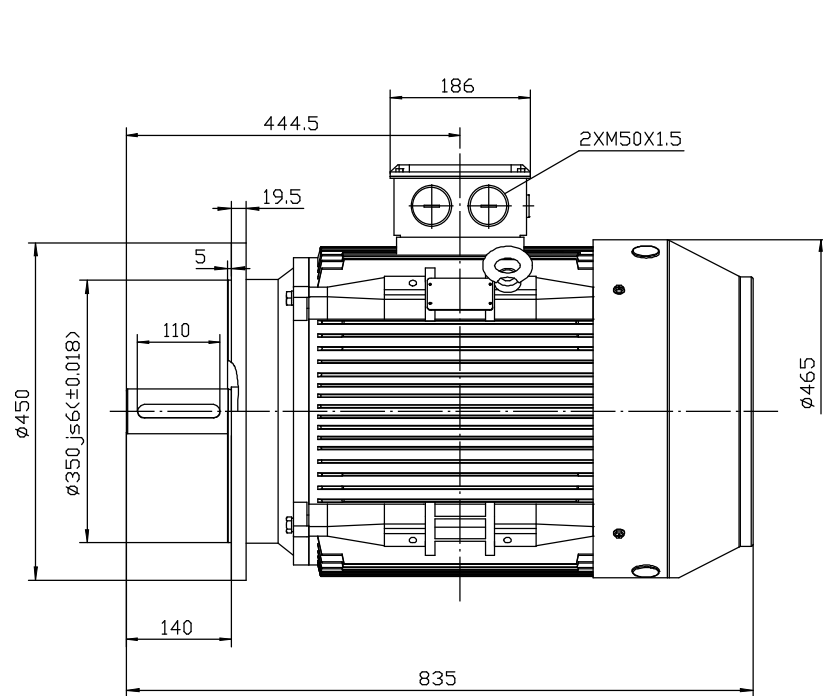
Power Factor (cos)	0.89
Tmin/Tn	1.3
Ist/In (Times)	7.7
Net Weight (Kg)	340
Housing material	Cast Iron
Insulation Class	F
Thermal Protection	PTC 140°C
Duty Cycle	S1
Cooling	IC 411
Ambient Temperature	-20°C to +40°C
Bearing Brand	NSK
Bearing (NDE)	6313 C3

*Motors designed and manufactured in accordance with:*

**IEC 60034  
IEC 60038  
IEC 60072  
2014/30/EU (EMC)  
2014/35/EU (LVD)  
2011/65/EU (RoHS 2)**

[www.tecmotors.co.uk](http://www.tecmotors.co.uk)

TEC Electric Motors Ltd. reserves the right to amend or change motor designs or data sheet information



Drawn By	Date
A442313	27/11/2017
Approved by	Date
L. Overton	27/11/2017
Issue No =	Date
BM01/A001	27/11/2017

**TC 225M-4 B5**

