



BRAKE MOTOR DATA SHEET

MOTOR PART CODE:

5.523TECAB35-BM

FRAME SIZE:

132S1-2

	50Hz
Output (kW)	5.5
Rotation Speed (rpm)	2920
Voltage	400/690
Full Load Current (A)	10.37 5.99
Full Load Torque (Nm)	17.99

	60Hz
Output (kW)	6.6
Rotation Speed (rpm)	3504
Voltage	480 828
Full Load Current (A)	10.37 5.99
Full Load Torque (Nm)	14.99

Efficiency Data

100%	75%	50%
87	87.5	86.6

Factory Reference	MSB132S1-2
Tst/Tn (times)	3.9
Tmax/Tn	4
Noise (dB)	80
Moment of inertia	0.012022
Type of feet	Removable feet
Protection	IP55
Rotation Direction	F / R
Cable Glands	2 - M25 × 1.5
Paint Colour	RAL 7024
Brake Torque (Nm)	60
Brake Voltage	178v DC
Recitifer	Half Wave

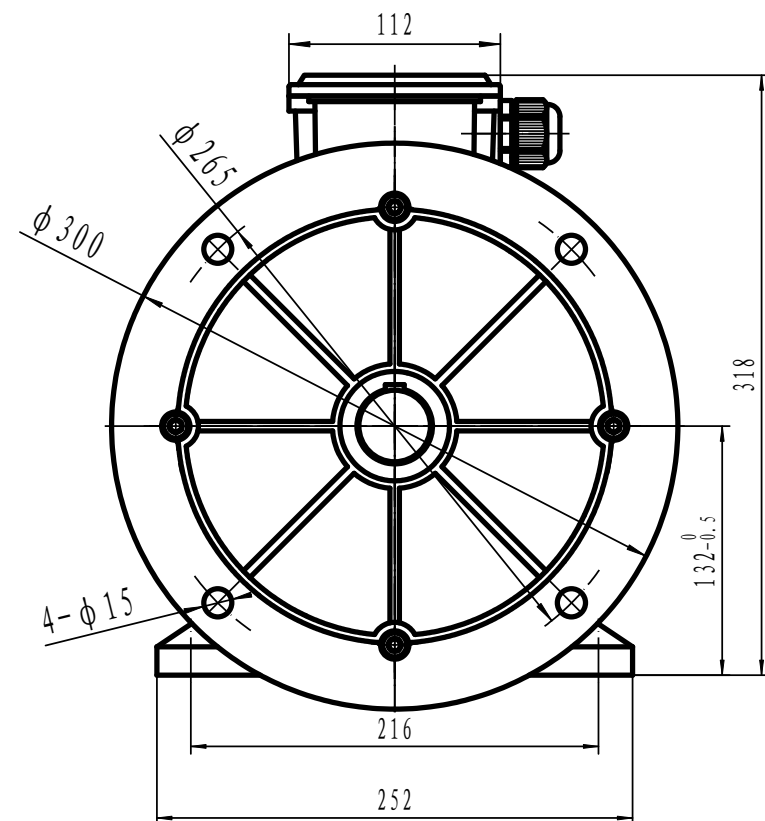
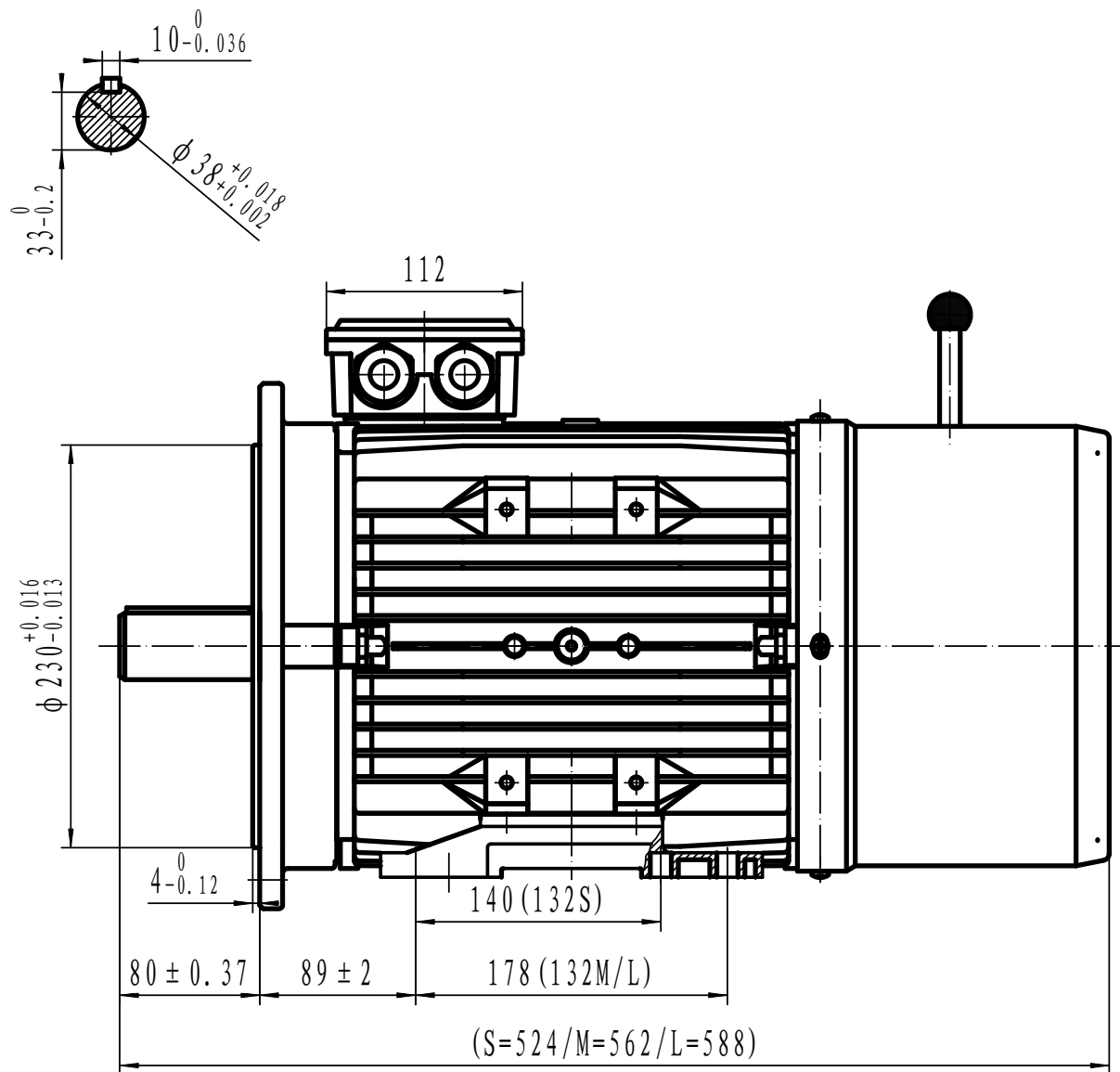
Power Factor (cos)	0.88
Tmin/Tn	2.1
Ist/In (Times)	9.9
Net Weight (Kg)	42.3
Housing material	Aluminum
Insulation Class	F
Thermal Protection	PTC 130°C
Duty Cycle	S1
Cooling	IC411
Ambient Temperature	-20°C to + 40°C
Bearing Brand	NSK
Bearing (DE)	6308 2RS C3
Bearing (NDE)	6208 2RS C3

Motors designed and manufactured in accordance with:

IEC 60034
IEC 60038
IEC 60072
2014/30/EU (EMC)
2014/35/EU (LVD)
2011/65/EU (RoHS 2)

www.tecmotors.co.uk

TEC Electric Motors Ltd. reserves the right to amend or change motor designs or data sheet information



										上海特波电机有限公司	
										MSB132 B35	
标记	处数	分区	更改文件号	签名	年、月、日	阶段标记		重量	比例		
设计									1:2		
审核											
工艺						批准		共	张	第	张