

TEC ELECTRIC MOTORS LTD



Data Sheet	No.		
Three Phase Induction Motor	Drawing No.	Y2-400-4~12 B3	

Customer :	
Client reference:	
Type:	IE3 400-4 500kW 400/690V 50Hz
Brand :	TEC

Identification

Frame:	400 mm	Insulation Class:	F
Output:	500 kW	Temperature Rise:	80K
Frequency:	50 Hz	Service Factor:	1.0
Poles:	4 P	Duty:	S1
Rated Speed:	1490 rpm	Ambient Temperature:	-20~40°C
Slip:	0.67 %	Altitude:	1000m
Rated Voltage:	400 / 690 V	Protection Degree:	IP55
Connection:	△/Y	Cooling:	IC411
Rated Current:	854 / 495 A	Mounting:	IM B3
Rotor Voltage:		Vibration:	2.8 mm/s
Connection:		Approx. Weight:	3335 kg
Rotor Current:		Moment of Inertia:	17.37 kg/m2
Locked Rotor Current:	700 %	Noise Level (Lp) :	95 dB(A)
No Load Current:		Direction of Rotation:	Both
Rated Torque:	3204.7 Nm	Starting Method:	DIRECT ON LINE
Locked Rotor Torque:	110 %	Coupling:	DIRECT
Breakdown Touque:	200 %	Load Type:	PARABOLIC CURVE

Performance

Bearing Information

Output	50%	75%	100%		DE	NDE
Efficiency(%):	93.1	96.0	96	Bearing :	6326C3	6326C3
				Regreasing int, (h)	4000	4000
Power Factor:	0.75	0.84	0.88	Grease amount (g)	85	85
				Grease-PolyrexEM	CALTEX SRI-2	CALTEX SRI-2

Notes / Accessories

Deviation Sheet

	TEC	Customer
With winding PTC150°C 3 PCS		
With bearing PT100 2 PCS		
With space heater 230V		

Standards

Specification	IEC60034-1
Test	IEC60034-2
Noise	IEC60034-9
Vibration	IEC60034-14

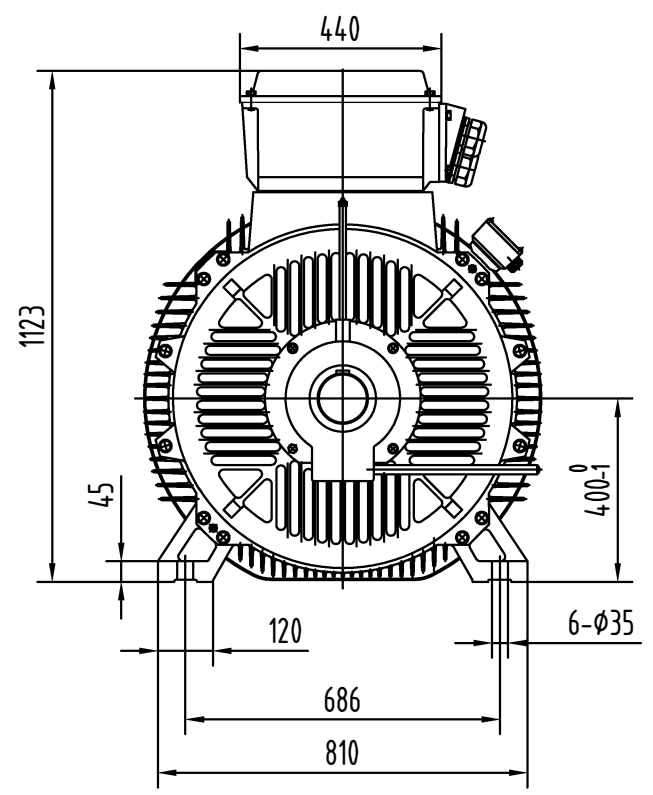
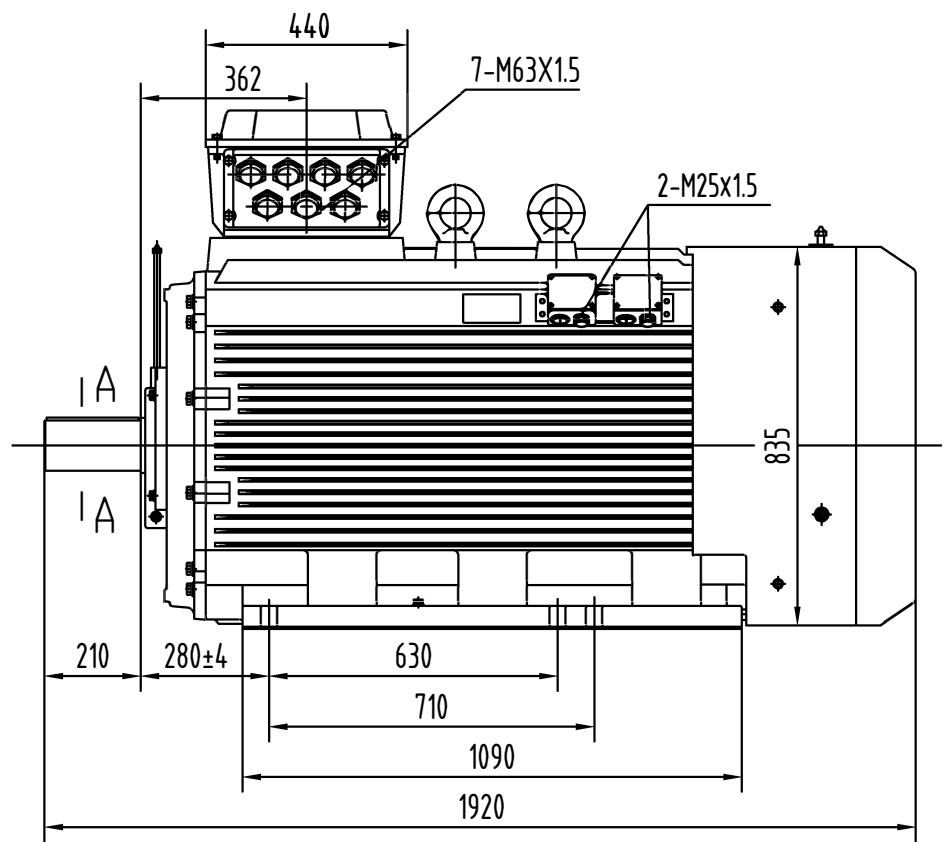
Edition

	Performed	Checked		Date

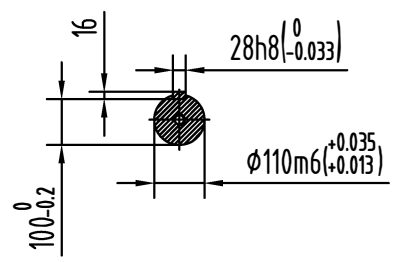
**PRELIMINARY
DOCUMENT**

Item	Changes	Performed	Checked	Date

OUTLINE



A - A



						OUTLINE			Y2-400-4~10		
Mark	No.	Zone	Changed file No.	Signature	Data						
Design			Standard			Sign	Weight	Scale			
Check								1:16			
Auditing											
Technics			Approvil			Total page	page No.				

