

TEC ELECTRIC MOTORS LTD



Data Sheet	No.			
Three Phase Induction Motor	Drawing No.	Y2-400-2 B3		

Customer :	
Client reference:	
Type:	IE3 400-2 630kW 400/690V 50Hz
Brand :	TEC

Identification

Frame:	400 mm	Insulation Class:	F
Output:	630 kW	Temperature Rise:	80K
Frequency:	50 Hz	Service Factor:	1.0
Poles:	2 P	Duty:	S1
Rated Speed:	2980 rpm	Ambient Temperature:	-20~40°C
Slip:	0.33 %	Altitude:	1000m
Rated Voltage:	400 / 690 V	Protection Degree:	IP55
Connection:	△/Y	Cooling:	IC411
Rated Current:	1067 / 618 A	Mounting:	IM B3
Rotor Voltage:		Vibration:	2.8 mm/s
Connection:		Approx. Weight:	3500 kg
Rotor Current:		Moment of Inertia:	9 kg/m2
Locked Rotor Current:	750 %	Noise Level (Lp) :	99 dB(A)
No Load Current:		Direction of Rotation:	Both
Rated Torque:	2019.0 Nm	Starting Method:	DIRECT ON LINE
Locked Rotor Torque:	150 %	Coupling:	DIRECT
Breakdown Touque:	200 %	Load Type:	PARABOLIC CURVE

Performance

Bearing Information

Output	50%	75%	100%		DE	NDE
Efficiency(%):	92.9	95.8	95.8	Bearing :	6220C3	6220C3
				Regreasing int, (h)	2000	2000
Power Factor:	0.76	0.85	0.89	Grease amount (g)	30	30
				Grease-PolyrexEM	CALTEX SRI-2	CALTEX SRI-2

Notes / Accessories

Deviation Sheet

	TEC	Customer
With winding PTC150°C 3 PCS		
With bearing PT100 2 PCS		
With space heater 230V		

Standards

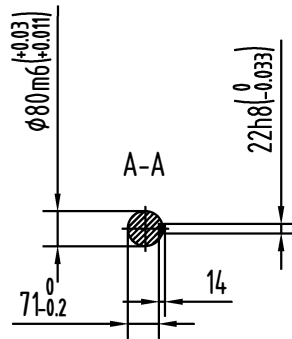
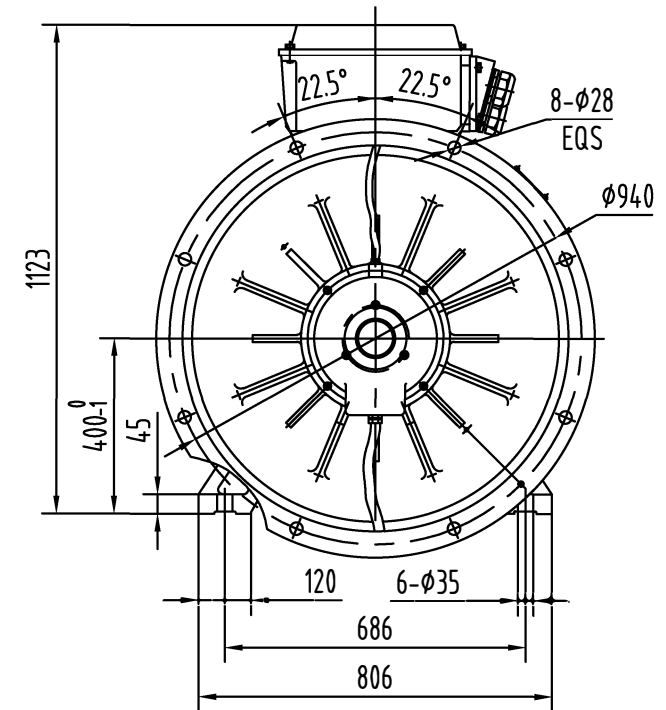
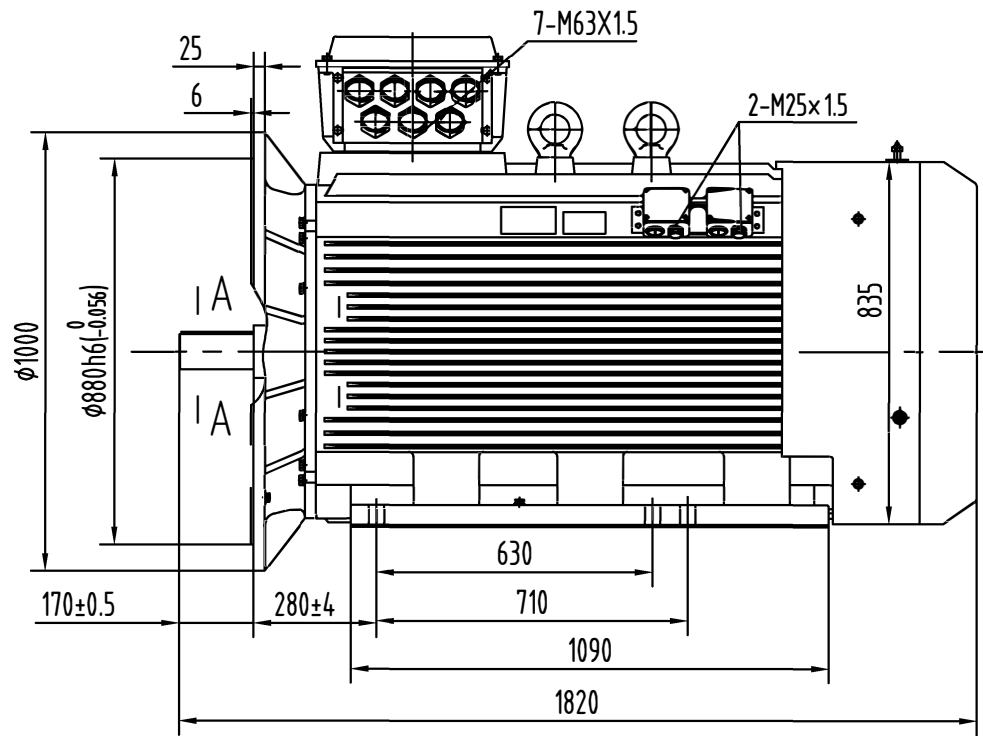
Specification	IEC60034-1
Test	IEC60034-2
Noise	IEC60034-9
Vibration	IEC60034-14

PRELIMINARY
DOCUMENT

Edition

Performed		Checked		Date	

Item	Changes	Performed	Checked	Date



						OUTLINE		
						Y2-400-2 B35		
Mark	No.	Zone	Changed file No.	Signature	Data	Sign	Weight	Scale
Design			Standard					1:16
Check								
Auditing								
Technics			Approvil			Total page	page No.	

