



MOTOR DATA SHEET

MOTOR PART CODE:

7.523TECAB34B-IE3

FRAME SIZE:

132S2-2

	50Hz
Output (kW)	7.5
Rotation Speed (rpm)	2930
Voltage	400/690
Full Load Current (A)	13.35 7.71
Full Load Torque (Nm)	24.44539249

	60Hz
Output (kW)	9
Rotation Speed (rpm)	3516
Voltage	480 828
Full Load Current (A)	13.35 7.71
Full Load Torque (Nm)	20.37

Efficiency Data

100%	75%	50%
90.1	90.2	89.1

Factory Reference	T3A 132S2-2
Tst/Tn (times)	3.6
Tmax/Tn	4.7
Noise (dB)	80
Moment of inertia	0.01899607
Type of feet	Removable feet
Protection	IP55
Rotation Direction	F / R
Cable Glands	2 - M25 × 1.5
Paint Colour	RAL 7024
Efficiency	IE3
Bearing (DE)	6308 2RS C3

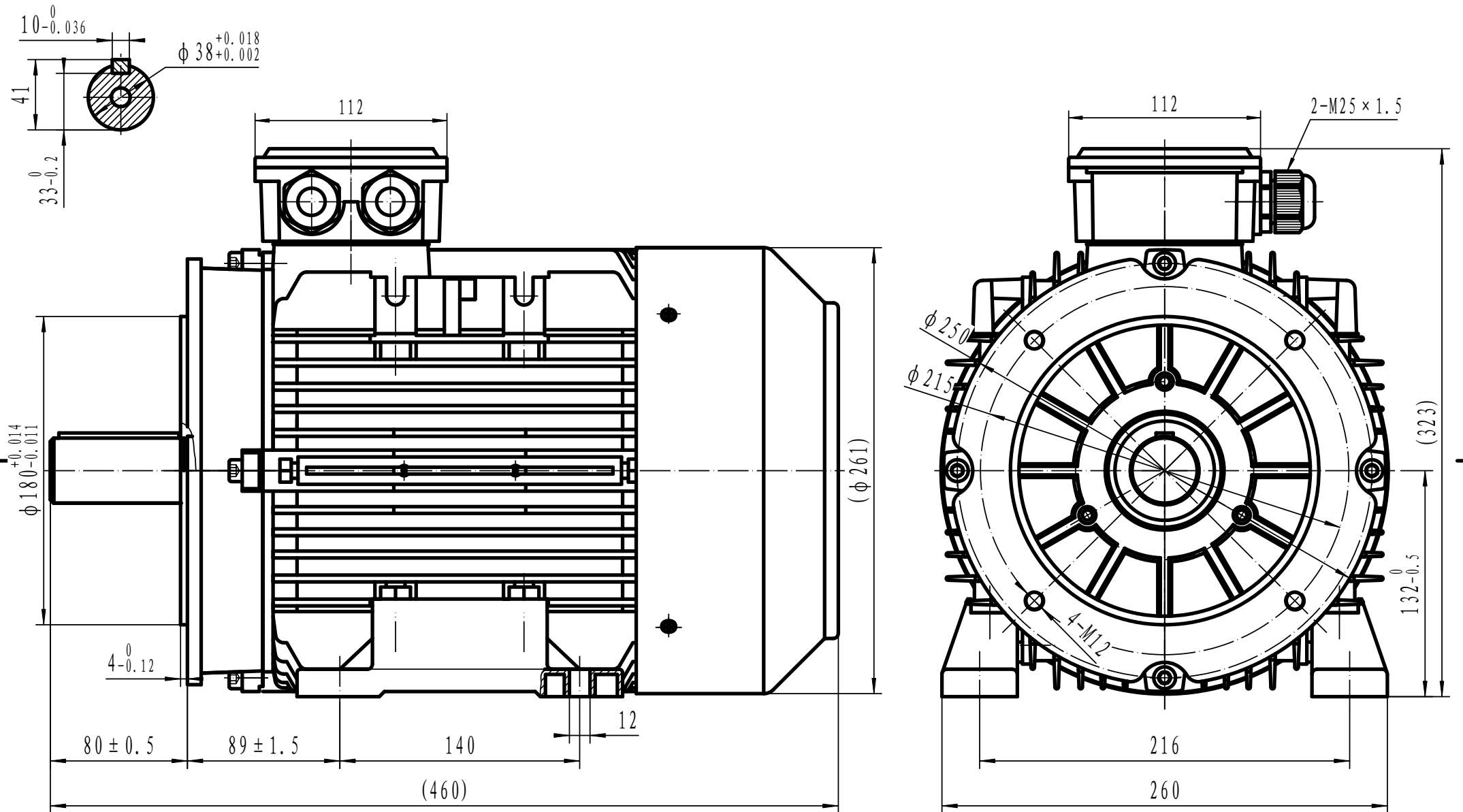
Power Factor (cos)	0.9
Tmin/Tn	2.4
Ist/In (Times)	11.9
Net Weight (Kg)	51.7
Housing material	Aluminum
Insulation Class	F
Thermal Protection	PTC 130°C
Duty Cycle	S1
Cooling	IC 411
Ambient Temperature	-20°C to +40°C
Bearing Brand	NSK
Bearing (NDE)	6208 2RS C3

Motors designed and manufactured in accordance with:

IEC 60034
IEC 60038
IEC 60072
2014/30/EU (EMC)
2014/35/EU (LVD)
2011/65/EU (RoHS 2)

www.tecmotors.co.uk

TEC Electric Motors Ltd. reserves the right to amend or change motor designs or data sheet information



Drawn By	Date
TECHTOP	27/11/2017
Approved by	Date
L. Overton	27/11/2017
Issue No =	Date
001/A	27/11/2017

TA 132S B34B


www.tecmotors.co.uk