



# MOTOR DATA SHEET

**MOTOR PART CODE:**

**7.543TECAB35-IE2**

**FRAME SIZE:**

**132M-4**

	50Hz
Output (kW)	7.5
Rotation Speed (rpm)	1450
Voltage	400/690
Full Load Current (A)	14.53   8.39
Full Load Torque (Nm)	49.39655172

	60Hz
Output (kW)	9
Rotation Speed (rpm)	1740
Voltage	480   828
Full Load Current (A)	14.53   8.39
Full Load Torque (Nm)	41.16

## Efficiency Data

100%	75%	50%
88.7	89.2	88.4

Factory Reference	MS2 132M-4
Tst/Tn (times)	3.1
Tmax/Tn	3.4
Noise (dB)	71
Moment of inertia	0.03586392
Type of feet	Removable feet
Protection	IP55
Rotation Direction	F / R
Cable Glands	2 - M25 × 1.5
Paint Colour	RAL 7024
Efficiency	IE2
Bearing (DE)	6308 2RS C3

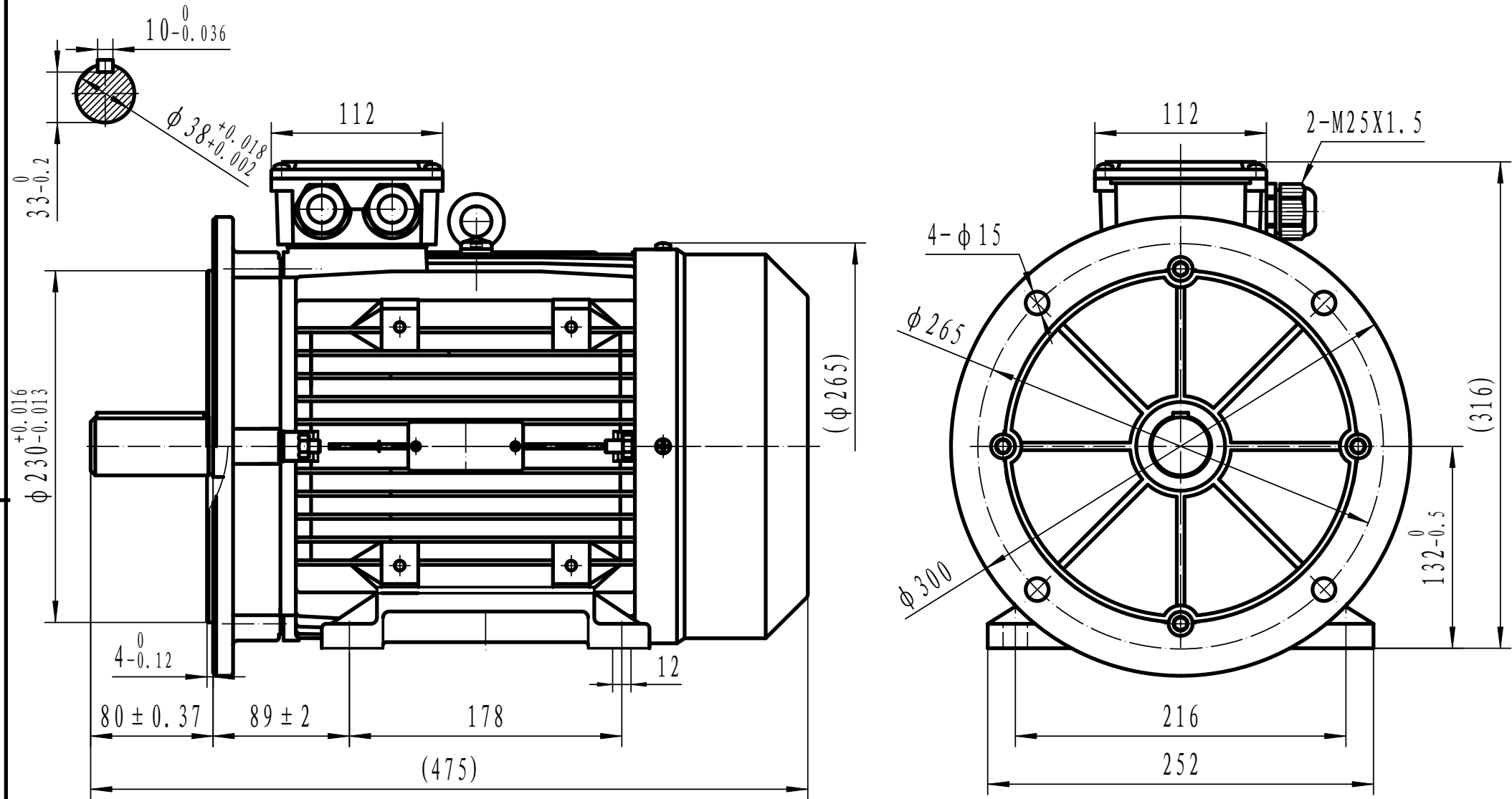
Power Factor (cos)	0.84
Tmin/Tn	2.1
Ist/In (Times)	8.8
Net Weight (Kg)	52.6
Housing material	Aluminum
Insulation Class	F
Thermal Protection	PTC 130°C
Duty Cycle	S1
Cooling	IC411
Ambient Temperature	-20°C to + 40°C
Bearing Brand	NSK
Bearing (NDE)	6208 2RS C3

*Motors designed and manufactured in accordance with:*

**IEC 60034  
IEC 60038  
IEC 60072  
2014/30/EU (EMC)  
2014/35/EU (LVD)  
2011/65/EU (RoHS 2)**

[www.tecmotors.co.uk](http://www.tecmotors.co.uk)

TEC Electric Motors Ltd. reserves the right to amend or change motor designs or data sheet information



Drawn By	Date
TECHTOP	27/11/2017
Approved by	Date
L. Overton	27/11/2017
Issue No =	Date
001/A	27/11/2017

**TECA 132M B35**



[www.tecmotors.co.uk](http://www.tecmotors.co.uk)