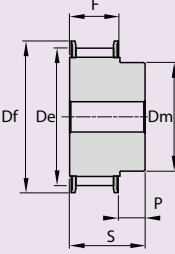
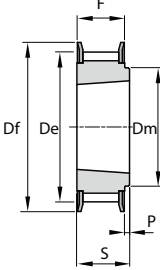
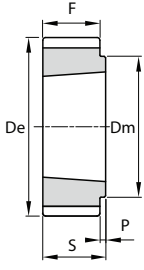




# MARTIN SYNCHROCHAIN® CTD & POLY CHAIN® CTD/POLY CHAIN® Series Timing Pulleys

## C8M Pulleys - to Suit 12mm Wide Belt (SYNCHROCHAIN® or POLY CHAIN®)



Pilot Bore	Taper Bore	
		
TYPE 1F	TYPE 2F	TYPE 2

- Material – Steel
- Flanges – Steel
- Pitch – 8mm

SYNCHROCHAIN® Code	POLYCHAIN® Code	Material	No. teeth	Type	Bush no.	Max. bore (metric)	Diameters (mm)			Di	Dm	F	P	S
							Dp	De	Df					
22-C8M-12	8M-22S-12	Steel	22	1F	PB = 12.7	28	56.02	54.42	60	-	43	20	10	30
25-C8M-12	8M-25S-12	Steel	25	2F	1108	28	63.66	62.06	70	-	49	20	2	22
28-C8M-12	8M-28S-12	Steel	28	2F	1108	28	71.30	69.70	75	-	56	20	2	22
30-C8M-12	8M-30S-12	Steel	30	2F	1210	32	76.39	74.79	82.50	-	60	20	5	25
32-C8M-12	8M-32S-12	Steel	32	2F	1610	42	81.49	79.89	87	-	66	20	5	25
34-C8M-12	8M-34S-12	Steel	34	2F	1610	42	86.58	84.98	91	-	69	20	5	25
36-C8M-12	8M-36S-12	Steel	36	2F	1610	42	91.67	90.07	97	-	76	20	5	25
38-C8M-12	8M-38S-12	Steel	38	2F	1610	42	96.77	95.17	102	-	78	20	5	25
40-C8M-12	8M-40S-12	Steel	40	2F	1610	42	101.86	100.26	106	-	85	20	5	25
45-C8M-12	8M-45S-12	Steel	45	2F	2012	50	114.59	112.99	120	-	92	20	12	32
48-C8M-12	8M-48S-12	Steel	48	2F	2012	50	112.23	120.63	128	-	103	20	12	32
50-C8M-12	8M-50S-12	Steel	50	2F	2012	50	127.32	125.72	135	-	104	20	12	32
56-C8M-12	8M-56S-12	Steel	56	2F	2012	50	142.60	141.00	150	-	104	20	12	32
60-C8M-12	8M-60S-12	Steel	60	2F	2012	50	152.79	151.19	158	-	111	20	12	32
64-C8M-12	8M-64S-12	Steel	64	2F	2012	50	162.97	161.37	168	-	111	20	12	32
75-C8M-12	8M-75S-12	Steel	75	2	2012	50	190.99	189.39	-	-	111	20	12	32
80-C8M-12	8M-80S-12	Steel	80	2	2012	50	203.72	202.12	-	-	111	20	12	32
90-C8M-12	8M-90S-12	Steel	90	2	2012	50	229.18	227.58	-	-	111	20	12	32

PB= Pilot Bore

Please note: All dimensions subject to change. If a dimension is critical to your application please contact our Sales Department for confirmation. For special or reworked pulleys please contact our Manufacturing Department for a quotation.