



BALL JOINTS



D SERIES: DMG - DIG

Description:

D-Series is our 3-piece range of swaged design ball joints, suitable for medium industrial/mechanical load applications. The swaging of the body produces a permanent assembly with the ball stud. Available in both metric and imperial thread sizes. Neoprene gaiter helps resist dirt contamination. If gaiter is not required please remove the letter G from the part number.

Material Specifications:

Body: Steel 230M07PB zinc plated and clear trivalent passivate. Ball stud: Steel 230M07PB hardened and zinc plated and clear trivalent passivate.

Gaiter: Neoprene

Features

Metric & imperial thread
Permanent assembly
High pull out load
Good wear resistance
Lubricated

Possible Applications

Industrial equipment
Construction equipment
Agricultural equipment
Lawn & garden equipment

Temperature Range

-30°C to +120°C

Specification

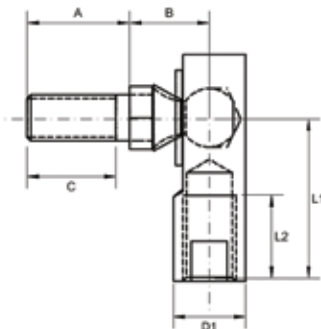
ELV & RoHS compliant

Interchange table

Dunlop	Tuthill	Dunlop	Tuthill
DMG (metric)	SPG-M	DIG (imperial)	SPG

Note: Part numbers used for descriptive purposes only, may not be direct equivalent products.

DMG SERIES: SWAGGED RETAINED BALL JOINTS (METRIC)



Body: Steel 230M07Pb, Zinc Plated and Clear Trivalent Passivate

Ball Stud: Steel 230M07Pb, Hardened, Zinc Plated and Clear Trivalent Passivate

Dust Seal: Neoprene Rubber

Specification: ELV and RoHS Compliant



Part No. Right Hand	Part No. Left Hand	Body Thread	Stud Thread	Ball Dia	L1	L2 Min	Stud A/F	A	B	C Min	D1
DMG6	DMG6LH	M6X1.00	M6X1.00	8.8	24.6	13.5	10	14.0	11.8	11.9	11.0
DMG6/1	DMG6/1LH	M6X1.00	M6X1.00	7.7	30.7	14.0	10	14.3	11.8	11.9	11.1
DMG6/2	DMG6/2LH	M6x1.00	M6X1.00	7.7	30.7	16.0	10	14.3	11.8	11.9	11.1
DMG8	DMG8LH	M8X1.25	M8X1.25	10.3	28.6	15.0	11	18.0	13.6	15.6	13.0
DMG8/1	DMG8/1LH	M8X1.25	M8X1.25	10.3	28.6	15.0	13	20.0	16.1	17.6	13.0
DMG10	DMG10LH	M10X1.50	M10X1.50	12.4	35.0	20.6	13	22.0	18.0	19.6	16.0

DIG SERIES: SWAGED RETAINED BALL JOINTS (IMPERIAL)

Part No. Right Hand	Part No. Left Hand	Body Thread	Stud Thread	Ball Dia	L1	L2 Min	Stud A/F	A	B	C Min	D1
DIG250	DIG250LH	1/4 UNF	1/4 UNF	0.347	0.969	0.531	0.375	0.562	0.466	0.468	0.437
DIG250/1	DIG250/1LH	1/4 BSF	M6x1.0	0.347	0.969	0.531	0.375	0.551	0.466	0.450	0.437
DIG250/2	DIG250/2LH	1/4 BSF	1/4 BSF	0.347	0.969	0.531	0.375	0.562	0.466	0.468	0.437
DIG312	DIG312LH	5/16 UNF	5/16 UNF	0.405	1.125	0.594	0.437	0.688	0.517	0.588	0.500
DIG312/1	DIG312/1LH	5/16 UNF	5/16 UNF	0.405	2.187	1.535	0.437	0.688	0.517	0.588	0.500
DIG375	DIG375LH	3/8 UNF	3/8 UNF	0.488	1.375	0.812	0.500	0.875	0.683	0.775	0.625
DIG375/1	DIG375/1LH	3/8 UNF	3/8 UNF	0.488	1.375	0.812	0.500	0.437	0.683	0.337	0.625
DIG375/2	DIG375/2LH	3/8 UNF	3/8 UNF	0.488	1.375	0.812	0.500	0.630	0.683	0.530	0.625
DIG375/3	DIG375/3LH	3/8 UNF	3/8 UNF	0.488	1.375	0.812	0.500	0.590	0.683	0.490	0.625