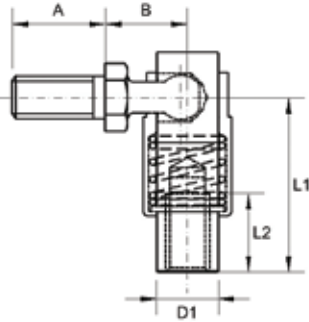




BALL JOINTS



Q SERIES: QM - QI

Description:

Q-Series is our 4-piece range of quick release, spring loaded ball joints, suitable for medium industrial/mechanical load applications. Available in both metric and imperial thread sizes. Q-Series ball joints are also available without the ball stud allowing for assembly on to a pre-positioned stud. Please refer to compatible ball stud options in our miscellaneous product section. Q-Series ball joints are ideal for severe wear conditions and are resistant to vibration and high shock loading.

Material Specifications:

Body: Steel 230M07PB hardened and zinc plated and clear trivalent passivate.
 Ball stud: Steel 230M07PB hardened and zinc plated and clear trivalent passivate.
 Shield: Steel 230M07PB zinc plated and clear trivalent passivate
 Spring: Stainless steel.

Features

- Metric & imperial thread
- High pull out load
- High wear conditions
- High shock loads
- Resistant to vibration
- Lubricated
- Knurl aids assembly

Possible Applications

- Industrial equipment
- Construction equipment
- Agricultural equipment
- Lawn & garden equipment

Temperature Range

-30°C to +120°C

Specification

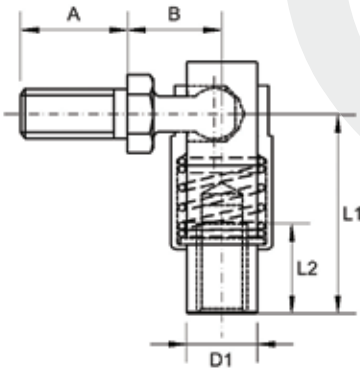
ELV & RoHS compliant

Interchange table

Dunlop	Tuthill	THK	Alinabal	SKF	Asahi	Rose
QM (metric)	S-M	-	-	-	-	-
QI (imperial)	S	-	-	-	-	-

Note: Manufacturers part numbers are used for descriptive purposes only and may not be direct equivalent products.

QM SERIES: QUICK RELEASE BALL JOINTS (METRIC)



Body: Steel 230M07Pb, Zinc Plated and Clear Trivalent Passivate

Ball Stud: Steel 230M07Pb, Hardened, Zinc Plated and Clear Trivalent Passivate

Shield: Steel 230M07Pb, Zinc Plated and Clear Trivalent Passivate

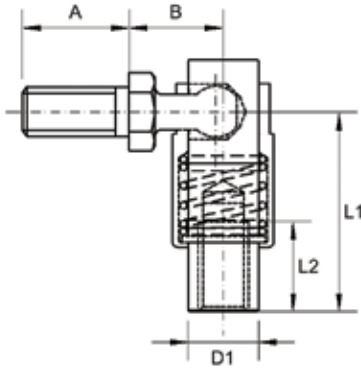
Spring: 302S 26 Stainless Steel

Specification: ELV and RoHS Compliant



Part No. Right Hand	Part No. Left Hand	Body Thread	Stud Thread	Ball Dia	Length L1	Length L2	Stud A/F	A	B	C	D1
QM5	QM5LH	M5X0.80	M5X0.80	6.4	23.0	11.1	8	11.1	11.9	9.0	7.9
QM6	QM6LH	M6X1.00	M6X1.00	7.9	24.6	13.0	10	14.3	12.6	12.8	9.4
QM6/1	QM6/1LH	M6X1.00	M6X1.00	7.9	24.6	13.0	10	14.3	12.7	12.8	9.4
QM6/2	QM6/2LH	M6X1.00	M6X1.00	7.9	24.6	13.0	10	11.0	12.7	9.5	9.4
QM6/3	QM6/3LH	10-32 UNF	M6X1.00	7.9	24.6	13.0	10	14.3	12.7	12.8	9.4
QM6/4SS	QM6/4SSLH	M6X1.00	M6X1.00	7.9	24.6	13.0	10	14.3	12.7	12.8	9.4
QM8	QM8LH	M8X1.25	M8X1.25	8.6	31.7	14.3	11	17.5	14.0	15.5	11.1
QM8/1	QM8/1LH	M8X1.25	M6X1.00	8.6	31.7	14.3	11	17.5	14.0	15.5	11.1
QM8/2	QM8/2LH	M8X1.25	M8X1.25	8.6	31.7	14.3	11	11.0	14.0	9.0	11.1
QM8/3	QM8/3LH	M8X1.25	M8X1.25	8.6	31.7	14.3	11	10.0	15.2	8.0	11.1
QM8/4SS	QM8/4SSLH	M8X1.25	M6X1.00	8.6	31.7	14.3	11	17.5	15.2	15.5	11.1
QM10	QM10LH	M10X1.50	M10X1.50	10.7	39.7	27.0	13	22.2	19.8	20.0	14.1

QI SERIES: QUICK RELEASE BALL JOINTS (IMPERIAL)



- Body:** Steel 230M07Pb, Zinc Plated and Clear Trivalent Passivate
- Ball Stud:** Steel 230M07Pb, Hardened, Zinc Plated and Clear Trivalent Passivate
- Shield:** Steel 230M07Pb, Zinc Plated and Clear Trivalent Passivate
- Spring:** 302S 26 Stainless Steel
- Specification:** ELV and RoHS Compliant



Part No. Right Hand	Part No. Left Hand	Body Thread	Stud Thread	Ball Dia	L1	L2 Min	Stud A/F	A	B	C	D1
QI187	QI187LH	10-32 UNF	10-32 UNF	0.250	0.906	0.437	0.312	0.437	0.468	0.330	0.310
QI187/2	QI1872LH	10-32 UNF	1/4" UNF	0.250	0.906	0.437	0.312	0.562	0.468	0.500	0.310
QI187/3	QI1873LH	10-32 UNF	M5 x 0.80	0.250	0.906	0.437	0.315	0.437	0.468	0.375	0.310
QI187/5	QI1875LH	10-32 UNF	M6 x 1.00	0.250	0.906	0.437	0.315	0.551	0.421	0.490	0.310
QI250	QI250LH	1/4" UNF	1/4" UNF	0.311	0.969	0.500	0.375	0.562	0.500	0.490	0.370
QI250/1	QI250/1LH	10-32 UNF	1/4" UNF	0.311	0.969	0.500	0.375	0.562	0.500	0.500	0.370
QI250/2	QI250/2LH	1/4" UNF	M6 x 1.00	0.311	0.969	0.500	0.394	0.562	0.500	0.500	0.370
QI250/4	QI250/4LH	1/4" BSF	1/4" BSF	0.311	0.969	0.500	0.375	0.562	0.500	0.500	0.370
QI250/5	QI250/5LH	1/4" UNF	5/16" UNF	0.311	0.969	0.500	0.375	0.882	0.449	0.820	0.370
QI250/6	QI250/6LH	1/4" UNF	1/4" UNF	0.311	0.969	0.500	0.375	0.875	0.449	0.812	0.370
QI312	QI312LH	5/16" UNF	5/16" UNF	0.339	1.250	0.562	0.437	0.687	0.594	0.580	0.439
QI312/1	QI312/1LH	5/16" BSF	5/16" BSF	0.339	1.250	0.562	0.437	0.687	0.594	0.625	0.439
QI312/2	QI312/2LH	1/4" UNF	5/16" UNF	0.339	1.250	0.562	0.437	0.882	0.594	0.820	0.439
QI312/3	QI312/3LH	5/16" UNF	5/16" UNF	0.339	1.250	0.562	0.437	0.882	0.594	0.820	0.439
QI312/4	QI312/4LH	10-32 UNF	5/16" UNF	0.339	1.250	0.562	0.437	0.882	0.594	0.820	0.439
QI375	QI375LH	3/8" UNF	3/8" UNF	0.421	1.562	1.062	0.500	0.875	0.719	0.770	0.556