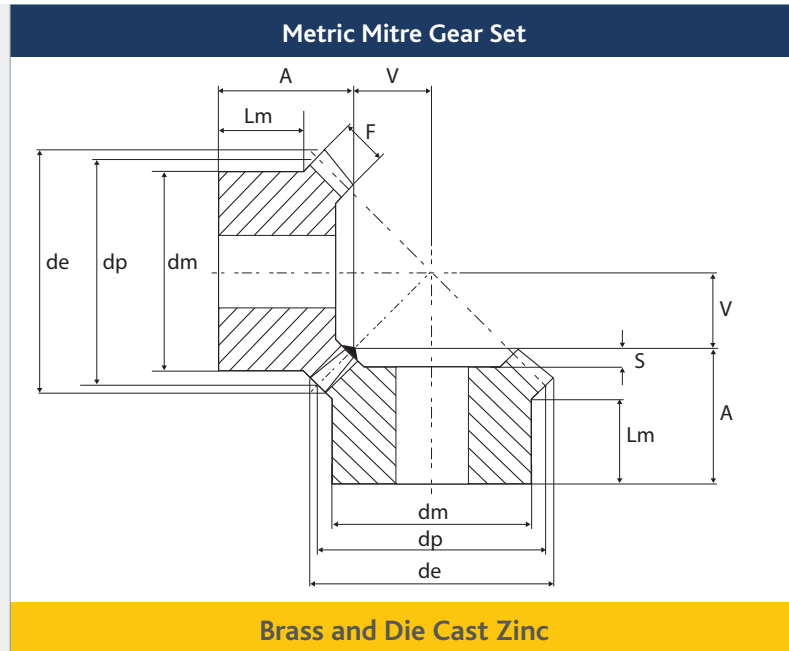




### Metric Mitre Gear Sets in Brass & Die Cast Zinc, 1.0 - 3.5 MOD



- Intermediate sizes and special mitres to drawing (tooling charges may apply)
- Standard tolerances, unless otherwise stated  $\pm 0.25\text{mm}$
- Shaft axis to intersect within  $\pm 0.025\text{mm}$
- Angular accuracy between shafts  $\pm 5\text{mins}$
- Mounting distance tolerance  $\pm 0.05\text{mm}$
- 20° pressure angle
- Supplied in pairs
- All dimensions in mm
- Brass CZ121 1:1 Ratio
- Die Cast Zinc 1:1 Ratio

| Code     | Material      | Pitch module | No. teeth | dp (mm) | de (mm) | dm (mm) | Bore H7 | Bore H9 | F (mm) | Lm (mm) | A (mm) | A+V (mm) | S (mm) |
|----------|---------------|--------------|-----------|---------|---------|---------|---------|---------|--------|---------|--------|----------|--------|
| BBM10/12 | Brass         | 1            | 12        | 12      | 13.4    | 10      | 4       |         | 4      | 6.2     | 10.4   | 13.2     | 1.4    |
| BBM10/16 | Brass         | 1            | 16        | 16      | 17.4    | 12      | 5       |         | 5      | 5       | 11     | 15.1     | 1      |
| BBM10/20 | Brass         | 1            | 20        | 20      | 21.4    | 15      | 5       |         | 5      | 5       | 11     | 17.1     | 1.5    |
| BBM10/25 | Brass         | 1            | 25        | 25      | 26.4    | 16      | 5       |         | 5      | 7       | 13     | 21.5     | 1.5    |
| BBM10/30 | Brass         | 1            | 30        | 30      | 31.4    | 16      | 5       |         | 5      | 7       | 13     | 24       | 1.5    |
| BBM10/36 | Brass         | 1            | 36        | 36      | 37.4    | 16      | 5       |         | 5      | 7       | 13     | 26.9     | 1.5    |
| BBM10/40 | Brass         | 1            | 40        | 40      | 41.4    | 20      | 5       |         | 5      | 8       | 14     | 29.9     | 1.5    |
| ZBM10/16 | Die Cast Zinc | 1            | 16        | 16      | 17.3    | 12      |         | 6       | 4.5    | 7.5     | 13.1   | 17.7     | 0      |
| ZBM15/16 | Die Cast Zinc | 1.5          | 16        | 24      | 26      | 19      |         | 8       | 6.7    | 10.8    | 18.6   | 25.7     | 1.6    |
| ZBM20/16 | Die Cast Zinc | 2            | 16        | 32      | 34.6    | 23      |         | 10      | 9.6    | 10      | 21.3   | 30       | 2.1    |
| ZBM25/16 | Die Cast Zinc | 2.5          | 16        | 40      | 43.3    | 26      |         | 12      | 12     | 12      | 25.5   | 36       | 2.6    |
| ZBM30/16 | Die Cast Zinc | 3            | 16        | 48      | 52.3    | 30      |         | 14      | 14     | 13      | 29.3   | 42.5     | 3.3    |
| ZBM35/16 | Die Cast Zinc | 3.5          | 16        | 56      | 61.5    | 34      |         | 16      | 16     | 14      | 33.2   | 49.4     | 4.1    |

Please note: All dimensions subject to change. If a dimension is critical to your application please contact our Sales Department for confirmation. For special or reworked gears please contact our Manufacturing Department for a quotation.