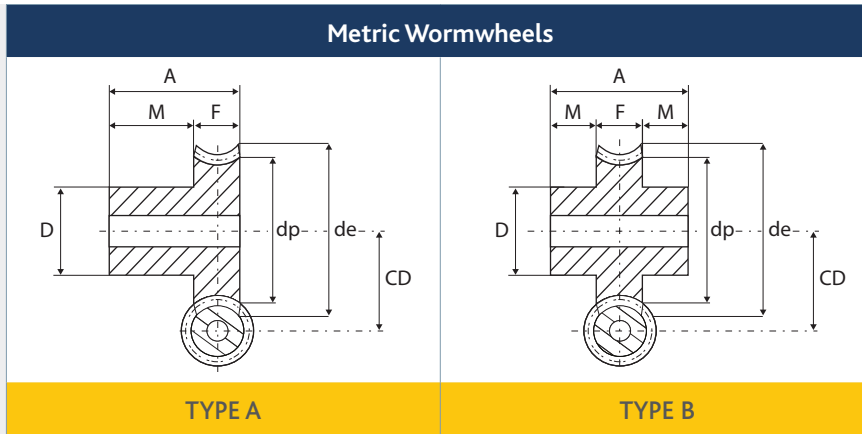


Metric Wormwheels in Bronze 0.5 - 0.8 MOD



- 20° pressure angle
- Bore tolerance H7
- Single(1R) & double(2R) start right hand
- Intermediate sizes and special Wormwheels to drawing
- All dimensions in mm
- Standard tolerances, unless otherwise stated ± 0.25 mm
- Bronze, PB1/PB2 or equivalent

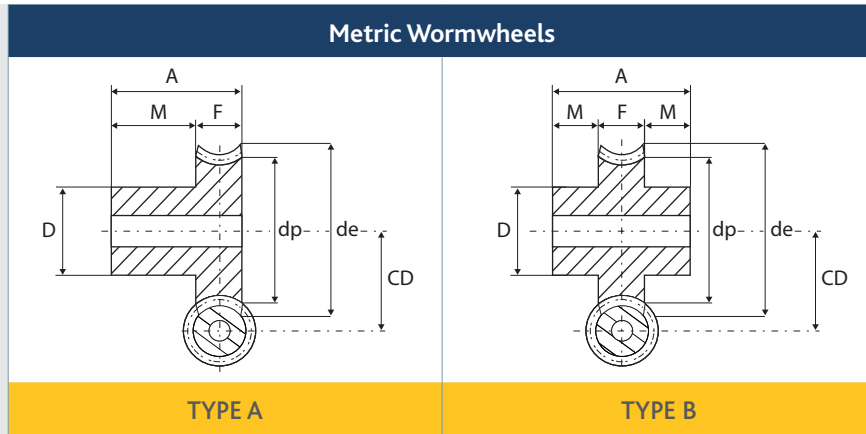
Code	Pitch module	No. teeth	dp	de	Boss \varnothing D	M	Bore	F	A	Centre distance	Type
BWW05/20/1R	0.5	20	10	11.4	8	5	3	3	8	8.5	A
BWW05/25/1R	0.5	25	12.5	14	10	5	4	3	8	9.75	A
BWW05/30/1R	0.5	30	15	16.5	10	5	4	3	8	11	A
BWW05/40/1R	0.5	40	20	21.5	10	5	4	3	8	13.5	A
BWW05/50/1R	0.5	50	25	26.5	10	5	4	3	8	16	A
BWW05/60/1R	0.5	60	30	31.5	15	5	4	3	8	18.5	A
BWW05/75/1R	0.5	75	37.5	39	15	5	4	3	8	22.25	A
BWW05/100/1R	0.5	100	50	51.5	15	5	5	3	8	28.5	A
BWW075/16/1R	0.75	16	12	13.8	10	6	4	3	9	10.25	A
BWW075/18/1R	0.75	18	13.5	15.4	10	6	4	3	9	11	A
BWW075/20/1R	0.75	20	15	16.9	10	6	4	3	9	11.75	A
BWW075/25/1R	0.75	25	18.75	20.6	12	6	4	3	9	13.63	A
BWW075/30/1R	0.75	30	22.5	24.4	12	6	4	3	9	15.5	A
BWW075/40/1R	0.75	40	30	32	12	6	4	3	9	19.25	A
BWW075/50/1R	0.75	50	37.5	39.5	12	6	4	3	9	23	A
BWW075/60/1R	0.75	60	45	47	15	6	4	3	9	26.75	A
BWW075/75/1R	0.75	75	56.25	58.25	15	6	4	3	9	32.38	A
BWW075/100/1R	0.75	100	75	77	15	6	5	3	9	41.75	A
NBWW08/20/1R	0.8	20	16.03	17.6	12	9	5	9	18	15	A
NBWW08/20/2R	0.8	20	16.11	17.6	12	9	5	9	18	15	A
NBWW08/30/1R	0.8	30	24.04	25.6	18	9	5	9	18	19	A
NBWW08/30/2R	0.8	30	24.16	25.6	18	9	5	9	18	19	A
NBWW08/40/1R	0.8	40	32.05	33.6	20	9	6	9	18	23	A
NBWW08/50/1R	0.8	50	40.06	41.6	25	9	8	9	18	27	A

• Please note: We can also supply 2 start right hand Wormwheels and single start left hand up to 2 module.

Please note: All dimensions subject to change. If a dimension is critical to your application please contact our Sales Department for confirmation. For special or reworked Wormwheels please contact our Manufacturing Department for a quotation.



Metric Wormwheels in Bronze 1 MOD



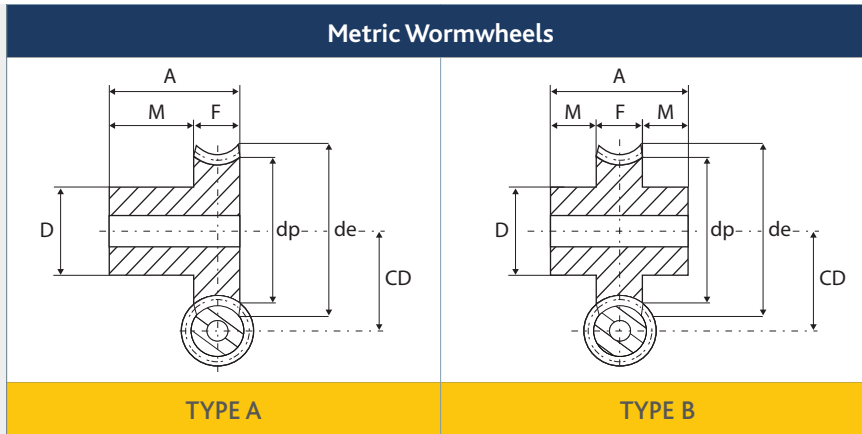
- 20° pressure angle
- Bore tolerance H7
- Single(1R) & double(2R) start right hand
- Intermediate sizes and special Wormwheels to drawing
- All dimensions in mm
- Standard tolerances, unless otherwise stated ± 0.25 mm
- Bronze, PB1/PB2 or equivalent

Code	Pitch module	No. teeth	dp	de	Boss \varnothing D	M	Bore	F	A	Centre distance	Type
BWW10/16/1R	1	16	16	18.7	12	8	5	6.5	14.5	15	A
BWW10/18/1R	1	18	18	20.7	12	8	5	6.5	14.5	16	A
BWW10/20/1R	1	20	20	22.7	16	8	5	6.5	14.5	17	A
BWW10/25/1R	1	25	25	27.7	16	8	5	6.5	14.5	19.5	A
BWW10/30/1R	1	30	30	32.7	16	10	6	6.5	16.5	22	A
BWW10/35/1R	1	35	35	37.7	16	10	6	6.5	16.5	24.5	A
BWW10/40/1R	1	40	40	42.7	20	10	6	6.5	16.5	27	A
BWW10/50/1R	1	50	50	52.7	20	10	6	6.5	16.5	32	A
BWW10/60/1R	1	60	60	62.7	30	10	6	6.5	16.5	37	A
BWW10/75/1R	1	75	75	77.7	30	10	6	6.5	16.5	44.5	A
BWW10/100/1R	1	100	100	102.7	30	12	6	6.5	18.5	57	A
BWW10/125/1R	1	125	125	127.7	40	12	8	6.5	18.5	69.5	A
BWW10/150/1R	1	150	150	152.7	40	12	8	6.5	18.5	82	A
NBWW10/20/1R	1	20	20.05	23	16	10	6	10	20	18	A
NBWW10/20/2R	1	20	20.16	23	16	10	6	10	20	18	A
NBWW10/30/1R	1	30	30.07	33	20	10	6	10	20	23	A
NBWW10/30/2R	1	30	30.24	33	20	10	6	10	20	23	A
NBWW10/40/1R	1	40	40.09	43	26	10	8	10	20	28	A
NBWW10/50/1R	1	50	50.12	53	30	10	8	10	20	33	A

Please note: All dimensions subject to change. If a dimension is critical to your application please contact our Sales Department for confirmation. For special or reworked Wormwheels please contact our Manufacturing Department for a quotation.

Metric Wormwheels in Bronze 1.5 - 2 MOD

Drive-flex



- 20° pressure angle
- Bore tolerance H7
- Single(1R) & double(2R) start right hand
- Intermediate sizes and special Wormwheels to drawing
- All dimensions in mm
- Standard tolerances, unless otherwise stated ± 0.25 mm
- Bronze, PB1/PB2 or equivalent

Code	Pitch module	No. teeth	dp	de	Boss \varnothing D	M	Bore	F	A	Centre distance	Type
BWW15/16/1R	1.5	16	24	28.4	20	8	8	12	28	24.5	B
BWW15/18/1R	1.5	18	27	31.4	20	8	8	12	28	26	B
BWW15/20/1R	1.5	20	30	34.4	24	8	10	12	28	27.5	B
BWW15/25/1R	1.5	25	37.5	41.9	30	8	10	12	28	31.25	B
BWW15/30/1R	1.5	30	45	49.4	30	8	10	12	28	35	B
BWW15/40/1R	1.5	40	60	63.4	30	10	10	12	32	42.5	B
BWW15/50/1R	1.5	50	75	79.4	30	10	10	12	32	50	B
BWW15/60/1R	1.5	60	90	94.4	40	10	12	12	32	57.5	B
BWW15/75/1R	1.5	75	112.5	116.9	40	10	12	12	32	68.75	B
BWW15/100/1R	1.5	100	150	154.4	45	10	12	12	32	87.5	B
BWW20/16/1R	2	16	32	37.7	25	8	8	14	30	32	B
BWW20/18/1R	2	18	36	41.7	25	8	10	14	30	34	B
BWW20/20/1R	2	20	40	45.7	30	10	12	14	34	36	B
BWW20/25/1R	2	25	50	55.7	35	10	12	14	34	41	B
BWW20/30/1R	2	30	60	65.7	40	10	12	14	34	46	B
BWW20/40/1R	2	40	80	85.7	40	10	12	14	34	56	B
BWW20/48/1R**	2	*48*	96	102	35	12	20	16	28	64	A
BWW20/50/1R	2	50	100	105.7	40	10	12	14	34	66	B
BWW20/60/1R	2	60	120	125.7	50	10	12	14	34	76	B

- Please note: We can also supply 2 start right hand Wormwheels and single start left hand up to 2 module

Please note: ** Single hub only. All dimensions subject to change. If a dimension is critical to your application please contact our Sales Department for confirmation. For special or reworked Wormwheels please contact our Manufacturing Department for a quotation.