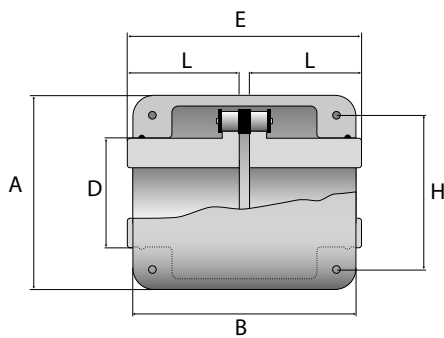


# Chain Couplings



## Chain couplings



## Dimensions

Coupling							Case			
Type	Bore size		E	L	D	Weight (kg)	A	B	H	Weight (kg)
	Min.	Max.								
4012	11	22	80	36	35	0.8	75	75	61	0.3
4016	15	30	80	36	50	1.4	92	75	77	0.4
5016	15	40	100	45	60	2.6	111	85	96	0.6
5018	19	45	100	45	70	3.5	122	85	106	0.7
6018	22	55	120	54	85	6.2	142	106	128	1
6022	25	75	120	54	110	9.8	167	106	152	1.2
8018	30	78	150	67	115	13.9	186	130	170	2.3
8022	35	95	150	67	140	20.2	220	130	202	2.4

## Permissible Forces

Type	Nominal torque	Permissible kW power rating (RPM)								Max. RPM
		100	400	600	800	1500	1800	2000	2500	
4012	222	1.73	4.15	5.67	7.01	11.40	13.70	14.80	17.90	6000
4016	394	30.90	7.41	10.10	12.50	21	24.40	26.30	31.90	4800
5016	750	5.86	14.1	19.20	23.80	39.90	46.40	50	60.60	3600
5018	950	7.43	17.80	24.40	30.10	50.50	58.80	63.40	76.80	3000
6018	1790	14	33.60	45.90	56.80	95.20	111	120	145	2500
6022	2420	18.80	45.30	61.90	76.50	128	149	161	195	2500
8018	3960	31	74.50	101	126	211	246	265	-	2000
8022	5700	44.50	106	146	180	302	352	379	-	2000