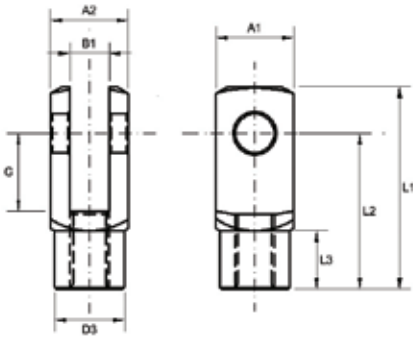


GI SERIES: STEEL CLEVIS JOINTS (IMPERIAL)



Material: Steel 230M07Pb, Zinc Plated and Clear Trivalent Passivate

Specification: ELV and RoHS Compliant



Part No. Right Hand	Part No. Left Hand	Bore Size*	Thread	G	A1	A2	B1	D3	L1	L2	L3
GI187	GI187 LH	3/16	10-32 UNF	0.394	0.375	0.375	0.1875	0.354	1.024	0.788	0.295
GIL187	GIL187 LH	3/16	10-32 UNF	0.787	0.375	0.375	0.1875	0.354	1.417	1.181	0.295
GI250	GI250 LH	1/4	1/4 UNF	0.472	0.500	0.500	0.2500	0.394	1.220	0.944	0.354
GIL250	GIL250 LH	1/4	1/4 UNF	0.945	0.500	0.500	0.2500	0.394	1.693	1.417	0.354
GI312	GI312 LH	5/16	5/16 UNF	0.630	0.630	0.630	0.3125	0.551	1.654	1.260	0.472
GIL312	GIL312 LH	5/16	5/16 UNF	1.260	0.630	0.630	0.3125	0.551	2.283	1.890	0.472
GI375	GI375 LH	3/8	3/8 UNF	0.787	0.750	0.750	0.3750	0.708	2.047	1.574	0.591
GIL375	GIL375 LH	3/8	3/8 UNF	1.575	0.750	0.750	0.3750	0.708	2.834	2.362	0.591
GI500	GI500 LH	1/2	1/2 UNF	1.102	1.000	1.000	0.5000	0.945	2.834	2.204	0.886
GIL500	GIL500 LH	1/2	1/2 UNF	2.205	1.000	1.000	0.5000	0.945	3.976	3.346	0.886
GI625	GI625 LH	5/8	5/8 UNF	1.260	1.250	1.250	0.6250	1.024	3.268	2.520	0.945
GIL625	GIL625 LH	5/8	5/8 UNF	2.520	1.250	1.250	0.6250	1.024	4.528	3.780	0.945
GI750	GI750 LH	3/4	3/4 UNF	1.575	1.575	1.575	0.7500	1.339	4.134	3.150	1.181
GI1000	GI1000 LH	1	1 UNF	1.969	1.970	1.970	1.0000	1.654	5.197	3.938	1.417

*Cross hole tolerance: +0.06 -0.00 mm.

Stainless steel materials such as 304, 314 and 316 are also available to order, please enquire for further information.



*Cross hole tolerance: +0.06 -0.00 mm. Stainless steel materials such as 304, 314 and 316 are also available to order, please enquire for further information.