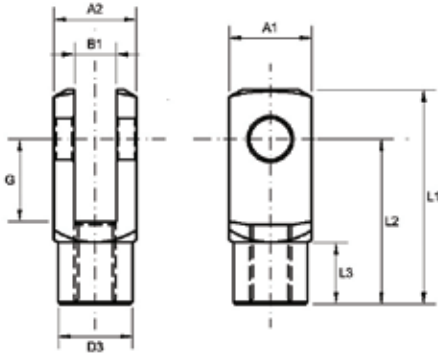


GM SERIES: STEEL CLEVIS JOINTS (METRIC)



Material: Steel 230M07Pb, Zinc Plated and Clear Trivalent Passivate

Specification: ELV and RoHS Compliant



Part No. Right Hand	Part No. Left Hand	Bore Size*	Thread	G	A1	A2	B1	D3	L1	L2	L3
GM4	GM4LH	4	M4X0.70	8	8	8	4	8	21	16	6.0
GML4	GML4LH	4	M4X0.70	16	8	8	4	8	29	24	6.0
GM5	GM5LH	5	M5X0.80	10	10	10	5	9	26	20	7.5
GML5	GML5LH	5	M5X0.80	20	10	10	5	9	36	30	7.5
GM6	GM6LH	6	M6X1.00	12	12	12	6	10	31	24	9.0
GML6	GML6LH	6	M6X1.00	24	12	12	6	10	43	36	9.0
GM8	GM8LH	8	M8X1.25	16	16	16	8	14	42	32	12.0
GML8	GML8LH	8	M8X1.25	32	16	16	8	14	58	48	12.0
GM8C	GM8CLH	8	M8X1.00	16	16	16	8	14	42	32	12.0
GML8C	GML8CLH	8	M8X1.00	32	16	16	8	14	58	48	12.0
GM10	GM10LH	10	M10X1.50	20	20	20	10	18	52	40	15.0
GML10	GML10LH	10	M10X1.50	40	20	20	10	18	72	60	15.0
GM10C	GM10CLH	10	M10X1.25	20	20	20	10	18	52	40	15.0
GML10C	GML10CLH	10	M10X1.25	40	20	20	10	18	72	60	15.0
GM12	GM12LH	12	M12X1.75	24	24	24	12	20	62	48	18.0
GML12	GML12LH	12	M12X1.75	48	24	24	12	20	86	72	18.0
GM12C	GM12CLH	12	M12X1.25	24	24	24	12	20	62	48	18.0
GML12C	GML12CLH	12	M12X1.25	48	24	24	12	20	86	72	18.0
GM14	GM14LH	14	M14X2.00	28	27	27	14	24	72	56	22.5
GML14	GML14LH	14	M14X2.00	56	27	27	14	24	101	85	22.5
GM14C	GM14CLH	14	M14X1.50	28	27	27	14	24	72	56	22.5
GML14C	GML14CLH	14	M14X1.50	56	27	27	14	24	101	85	22.5
GM16	GM16LH	16	M16X2.00	32	32	32	16	26	83	64	24.0
GM16C	GM16CLH	16	M16X1.50	32	32	32	16	26	83	64	24.0
GML16	GML16LH	16	M16X2.00	64	32	32	16	26	115	96	24.0
GML16C	GML16CLH	16	M16X1.50	64	32	32	16	26	115	96	24.0
GM18	GM18LH	18	M18X2.50	36	36	36	18	30	94	72	27.0
GM18C	GM18CLH	18	M18X1.50	36	36	36	18	30	94	72	27.0
GM20	GM20LH	20	M20X2.50	40	40	40	20	34	105	80	30.0
GM20C	GM20CLH	20	M20X1.50	40	40	40	20	34	105	80	30.0
GM25	GM25LH	25	M24X3.00	50	50	50	25	42	132	100	36.0
GM25C	GM25CLH	25	M24X2.00	50	50	50	25	42	132	100	36.0
GM28	GM28LH	28	M27X3.00	56	55	55	28	48	148	112	40.0
GM28C	GM28CLH	28	M27X2.00	56	55	55	28	48	148	112	40.0
GM30	GM30LH	30	M30X3.50	60	60	60	30	52	160	120	42.0
GM30C	GM30CLH	30	M30X2.00	60	60	60	30	52	160	120	42.0

*Cross hole tolerance: +0.06 -0.00 mm